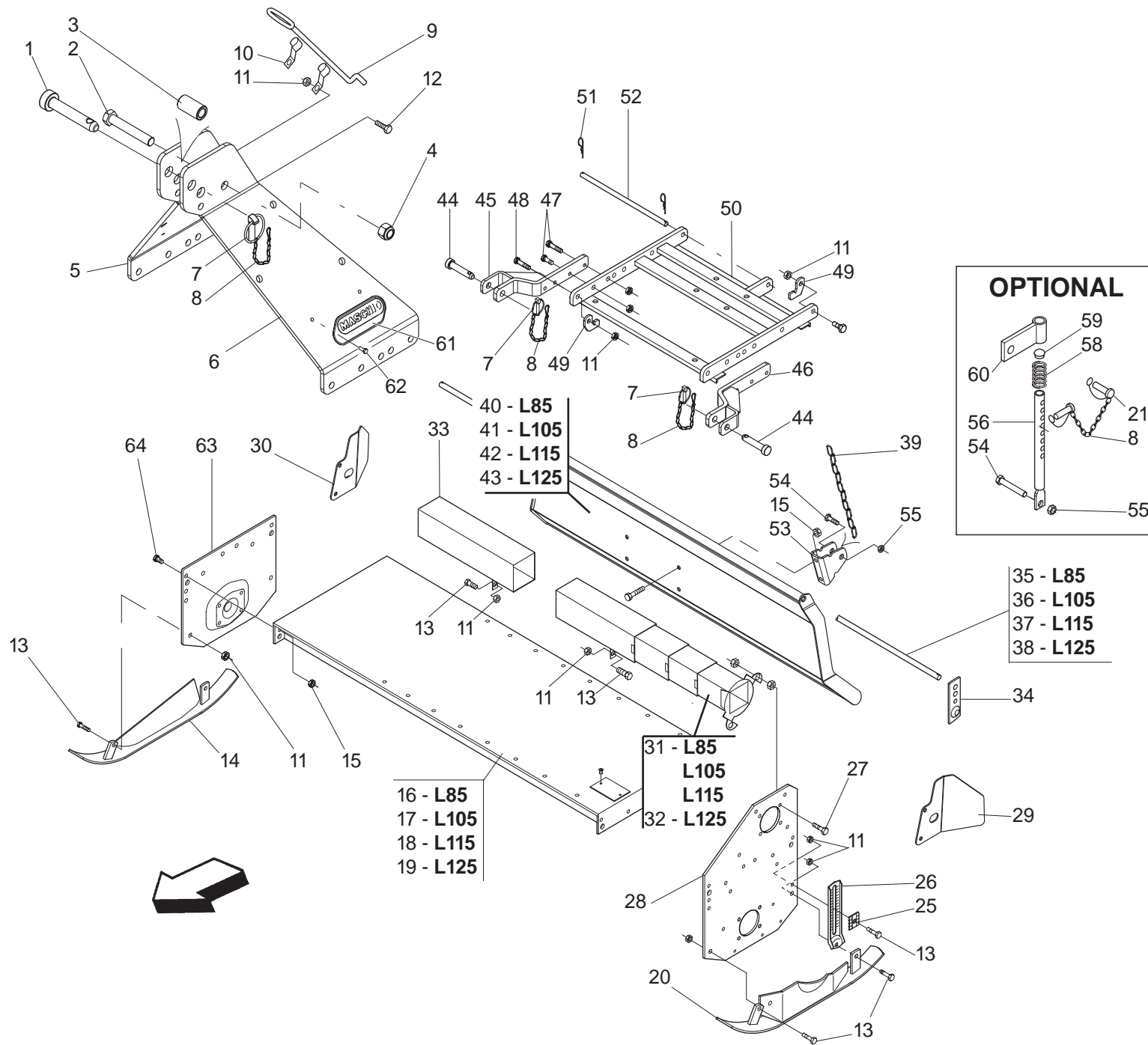


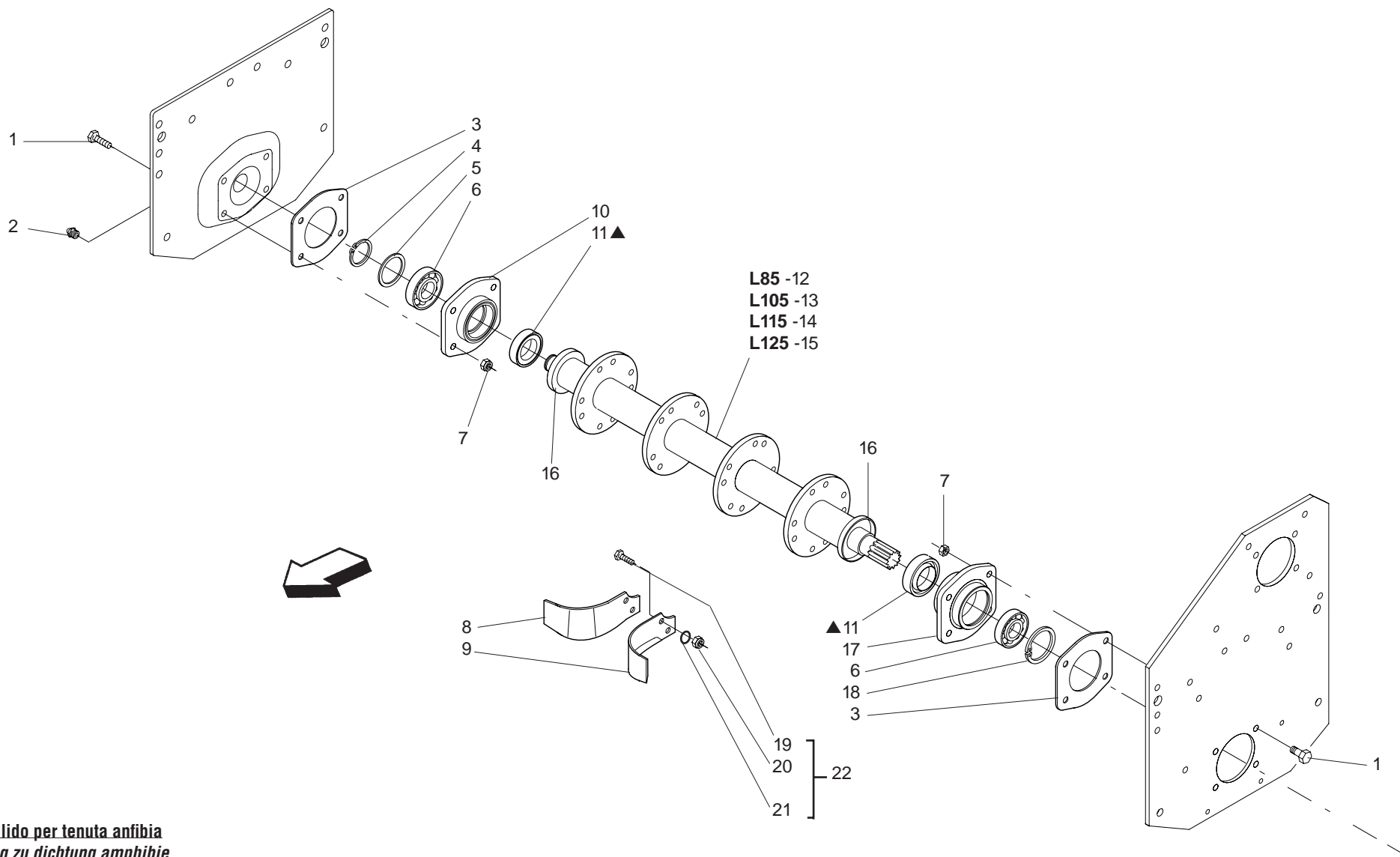
PARTI DI RICAMBIO
SPARE PARTS
ERSATZTEILE
PIECES DÉTACHÉES
PIEZAS DE REPUESTO

TAV. 10



POS	CODICE	DESCRIZIONE	DESCRIPTION	DESCRIPTION	BENENNUNG	DESCRIPCION
1	F20100035	PERNO D19 L86 C43	PIN	GOUJON	BOLZEN	PERNO
2	F01010125	VITE M16X1,5X100 U5738 10.9 ZD	BOLT M 16X1,5X100	VIS M16X1,5X100	SCHRAUBE M 16X1,5X100	TORNILLO M 16X1,5X100
3	M41100714	BOCCOLA UNIONE T. P.	BUSH 3 POINT	BAGUE 3EME POINT	BUECHSE DREIPUNKT	BRUJULA 3 PUNTO
4	F01220070	DADO M16X 1,5 D980 8 ZN	NUT M16X 1,5 D980 8 ZB	ECRO.M16X 1,5 D980 8 ZB	MUTT.M16X 1,5 D980 8 ZB	TUER.M16X 1,5 D980 8 ZB
5	M41100701	FIANCATA TERZO PUNTO DX.	3RD POINT RIGHT SIDE PANEL	COTE DROIT 3EME POINT	3.PUNKT RECHTS SEITENWAND	FLANCO DCH. TERCER PUNTO
6	M41100702	FIANCATA TERZO PUNTO SX.	3RD POINT LEFT SIDE PANEL	COTE GAUCHE 3EME POINT	3.PUNKT LINKS SEITENWAND	FLANCO IZQ. TERCER PUNTO
7	F02200529	SPINA SCATTO D.11 ZN	SNAP PIN D.11	FICHE A DETENTE D.11	EINRASTSTIFT D.11	CLAVIJA DE MUELLE D.11
8	M63112581	ASSIEME CATENELLA L.333 ZN	CHAIN	CHAINE	KETTE	CADENA
9	M41100549	ASTA ANTIRIBALTAMENTO	ASSY AGAINST OVERTURNING	BARRE CONTRE RENVERSEMENT	SATZ GEGEN UMKIPPEN	COMPUESTO ANTI-VUELCO
10	F20120401	FASCETTA FERMA CARDANO ZN	LOCK	ARRET	BLOCKIERUNG	FAJA SEGURO DEL CARDÁN
11	F01220047	DADO M12X1,25 D980 8 ZN	SELF LOCKING NUT M12X1,25 980V	ECROU AUTOBL. M12X1,25 980-V	MUTT. M12X1,25 D980 8 ZN	TUER. M12X1,25 980-V
12	F01010281	VITE M12X1,25X25 U5740 8.8 ZN	BOLT M 12X1,25X25	VIS M 12X1,25X25	SCHRAUBE M 12X1,25X25	TORNILLO M 12X1,25X25
13	F01010283	VITE M12X1,25X30 U5740 8.8 ZN	BOLT M 12X1,25X30	VIS M 12X1,25X30	SCHRAUBE M 12X1,25X30	TORNILLO M 12X1,25X30
14	M73100515	COMP. SLITTA L.E. "W2"	SIDE PANEL SKID	PATIN PARTIE LATERALE	GLEITKUFFE SEITENWAND	TRINEO LADO FLANCO
15	F01220034	DADO M10X1,25 D980 8 ZN	NUT M10X1,25 D980 8 ZB	ECRO.M10X1,25 D980 8 ZB	MUTT.M10X1,25 D980 8 ZB	TUER.M10X1,25 D980 8 ZB
16	M41108583	COMP. TELAIO "L 85" 03-101	COMPLETE FRAME 85	CHASSIS COMPL. 85	KOMPL. RAHMEN 85	TELAR COMPL. 85
17	M41110583	COMP.TELAIO "L" 105	COMPLETE FRAME 105	CHASSIS COMPL. 105	KOMPL. RAHMEN 105	TELAR COMPL. 105
18	M41101583	COMP. TELAIO "L115" 03-101	COMPLETE FRAME 115	CHASSIS COMPL. 115	KOMPL. RAHMEN 115	TELAR COMPL. 115
19	M41112583	COMP.TELAIO "L" 125	COMPLETE FRAME 125	CHASSIS COMPL. 125	KOMPL. RAHMEN 125	TELAR COMPL. 125
20	M73100720	COMP. SLITTA L.TRAMISS.	CHAIN SIDE SKID	PATIN COTE CHAINE	GLEITKUFFE KETTENSEITE	TRINEO LADO CADENA
21	F02200562	SPINA SICUR. D. 8X70 ZN	SPLIT PIN D.8X70 ZB	GOUPILLE D.8X70 ZB	BOLZEN D.8X70 ZB	PERNO D.8X70 ZB
25	M19100533	PIASTRINA REGISTRO ZN	ADJUSTER PLATE	PLAQUETTE DE REGISTRE	REGULIERUNGSPLATTE	PLAQUITA REGISTRO
26	M48000532	STAFFA REGOLAZIONE SLITTA	SKID ADJUSTER	REGISTRE GLISSIERE	GLEITLAGERREGULIERUNG	REGISTRO TRINEO
27	F01010254	VITE M10X1,25X35 U5740 8.8 ZN	BOLT M 10X1,25X35	VIS M 10X1,25X35	SCHRAUBE M 10X1,25X35	TORNILLO M 10X1,25X35
28	M41100588	FIANCATA L.T. CATENA "L"	CHAIN SIDE PANEL	COTE CHAINE	KETTENSEITENWAND	FLANCO LADO CADENA
29	M73100978	PROLUNGA FIANC. SX.VERS.SLITTE	SIDE PROTECTION	PROTECTION LATER.ARRIERE	HINTERE SCHUETZUNG	PROTECCION TRASERA
30	M73100977	PROLUNGA FIANC. DX.VERS.SLITTE	SIDE PROTECTION	PROTECTION LATER.ARRIERE	HINTERE SCHUETZUNG	PROTECCION TRASERA
31	M41100204	ASSIEME PROT. ALB.ESAGONO	HEXAGONAL JACKSHAFT COVER	PROTECTION ARBRE HEXAGONAL	ANTRIEBSWELLESCHUTZ	PROTECCION ARBOL HEXAGONAL
32	M41100215	COMP.PROT. ALBERO ESAGONALE 125	HEXAGONAL JACKSHAFT COVER 125	PROTECTION ARBRE HEXAGONAL 125	ANTRIEBSWELLESCHUTZ 125	PROTECCION ARBOL HEXAGONAL 125
33	M41100217	PROTEZIONE ALBERO ES. L. EST.	EXT.HEXAGONAL JACKSHAFT COVER	PROTECTION ARBRE HEXAGONAL EXT	AUSS. ANTRIEBSWELLESCHUTZ	PROTECCION ARBOL HEXAGONAL EXT
34	M66100778	PIATTO DI FERMO"L" ZN	LOCKING STIRRUP	ETRIER DE BLOCAGE	BLOCKIERUNGSBUEGEL	ESTRIBO BLOQUEO
35	M63108538	PERNO CERNIERA X LAM. LIV. 85	HINGE PIN LEVELLING PLATE 85	GOUJON CHARN. CAPOT NIV. 85	SCH.BOLZEN PLANIERHAUBE 85	PERNO CHARN. PLANCHA NIV. 85
36	M63110538	PERNO CERNIERA X LAM. LIV. 105	HINGE PIN LEVELLING PLATE 105	GOUJON CHARN. CAPOT NIV. 105	SCH.BOLZEN PLANIERHAUBE 105	PERNO CHARN. PLANCHA NIV. 105
37	M63111538	PERNO CERNIERA X LAM. LIV. 115	HINGE PIN LEVELLING PLATE 115	GOUJON CHARN. CAPOT NIV. 115	SCH.BOLZEN PLANIERHAUBE 115	PERNO CHARN. PLANCHA NIV. 115
38	M63112538	PERNO CERNIERA X LAM. LIV. 125	HINGE PIN LEVELLING PLATE 125	GOUJON CHARN. CAPOT NIV. 125	SCH.BOLZEN PLANIERHAUBE 125	PERNO CHARN. PLANCHA NIV. 125
39	M29100557	CATENA PER LAM.LIV. U 9 M.	CHAIN	CHAINE	KETTE	CADENA
40	M73108971	COMP. LAMIERA LIV. L-W 85	LEVELLING BONNET 85	CAPOT NIVELEUR 85	PLANIERHAUBE 85	PLANCHA NIVELADOR L-W 85
41	M73110971	COMP. LAMIERA LIV. L-W 105	LEVELLING BONNET 105	CAPOT NIVELEUR 105	PLANIERHAUBE 105	PLANCHA NIVELADOR 105
42	M73111971	COMP. LAMIERA LIV. L-W 115	LEVELLING BONNET 115	CAPOT NIVELEUR 115	PLANIERHAUBE 115	PLANCHA NIVELADOR 115
43	M73112971	COMP. LAMIERA LIV. L-W 125	LEVELLING BONNET 125	CAPOT NIVELEUR 125	PLANIERHAUBE 125	PLANCHA NIVELADOR 125
44	F20100049	PERNO D22 L86 C43 ZN	PIN D.22	GOUJON D.22	BOLZEN D.22	PERNO D.22
45	M41100709	COMPOSTO ATT.BARRE STANDARD DX	RIGHT FRONT HITCH	CHAPPE AVANT DROIT	RIGHT ANSCHLUSS	ENGANCHE DERECHO
46	M41100710	COMPOSTO ATT.BARRE STANDARD SX	LEFT FRONT HITCH	CHAPPE AVANT GAUCHE	LINKS ANSCHLUSS	ENGANCHE IZQUIERDO
47	F01010055	VITE M12X1,25X 50 5738 8.8 ZN	BOLT M 12X1,25X 50 5738 8.8 ZN	VIS M 12X1,25X50	SCHRAUBE M 12X1,25X50	TORNILLO M 12X1,25X50
48	F01010056	VITE M12X1,25X55 U5738 8.8 ZN	BOLT M 12X1,25X55	VIS M 12X1,25X55	SCHRAUBE M 12X1,25X55	TORNILLO M 12X1,25X55
49	M41100511	PIASTRINA DI SICUREZZA "L"	PLATE	PLAQUETTE	PLATTE	PLAQUITA
50	M41100909	BASE TERZO PUNTO	GEARBOX SUPPORT	SUPPORT BOITE DE VITESSE	WECHSELGETRIEBE HALTER	SOPORTE CAMBIO
51	F02200374	COPIGLIA R 4X 82 ZN	SPLIT PIN 4X82	GOUPILLE 4X82	SPLINT 4X82	PASADOR 4X82
52	M41100520	PERNO CATENA LAM. LIV. "L" ZN	PIN	AXE	ZAPFEN	PERNO
53	M73100607	STAFFA REG. LAMIERA LIV.	LEVELL.BONNET ADJUSTER	REGISTRE CAPOT NIVELEUR	PLANIERHAUBE REGULIERUNG	REGISTRO CHAPA NIVELADORA
54	F01010084	VITE M14X1,5 X55 U5738 8.8 ZN	BOLT M 14X1,5X55	VIS M 14X1,5X55	SCHRAUBE M 14X1,5X55	TORNILLO M 14X1,5X55
55	F01220059	DADO M14X 1,5 D980 8 ZN	NUT M14X 1,5 D980 8 ZB	ECROU M14X 1,5 D980 8 ZB	MUTTER M14X 1,5 D980 8 ZB	TUERCA M14X 1,5 D980 8 ZB
56	M41100524	TUBO D=21,3 S=2,6 L=385 ZN	HAND JACK TUBE	TUBE DU VERIN	SPINDELVERSTELLUNGROHR	TUBO MARTINETE
58	M63100564	MOLLA MARTINETTO LAMIERA ZN	SPRING	RESSORT	FEDER	MUELLE
59	F05100015	TAPPO AD ALETTA D=22 PLT NERO	CAP	BOUCHON	DECKEL	CORCHO
60	M41100528	COMP.SUPPORTO TUBO ZN	SUPPORT	SUPPORT	HALTER	SOPORTE
61	M73100544	MARCHIO MASCHIO 160X60 STAMP.	MASCHIO BRAND	MARQUE MASCHIO	MASCHIO ZEICHEN	MARCA MASCHIO
62	F02250033	RIVETTO PLAST. P 1506 PER C	RIVET	RIVET	KUPFERNIET	REMACHE
63	M41100589	FIANCATA LATO ESTERNO "L"	RIGHT SIDE PANEL	COTE DROIT	SEITENWAND RECHTS	FLANCO DERECHO
64	F01010244	VITE M10X1,25X25 U5740 8.8 ZN	BOLT M 10X1,25X25	VIS M 10X1,25X25	SCHRAUBE M 10X1,25X25	TORNILLO M 10X1,25X25

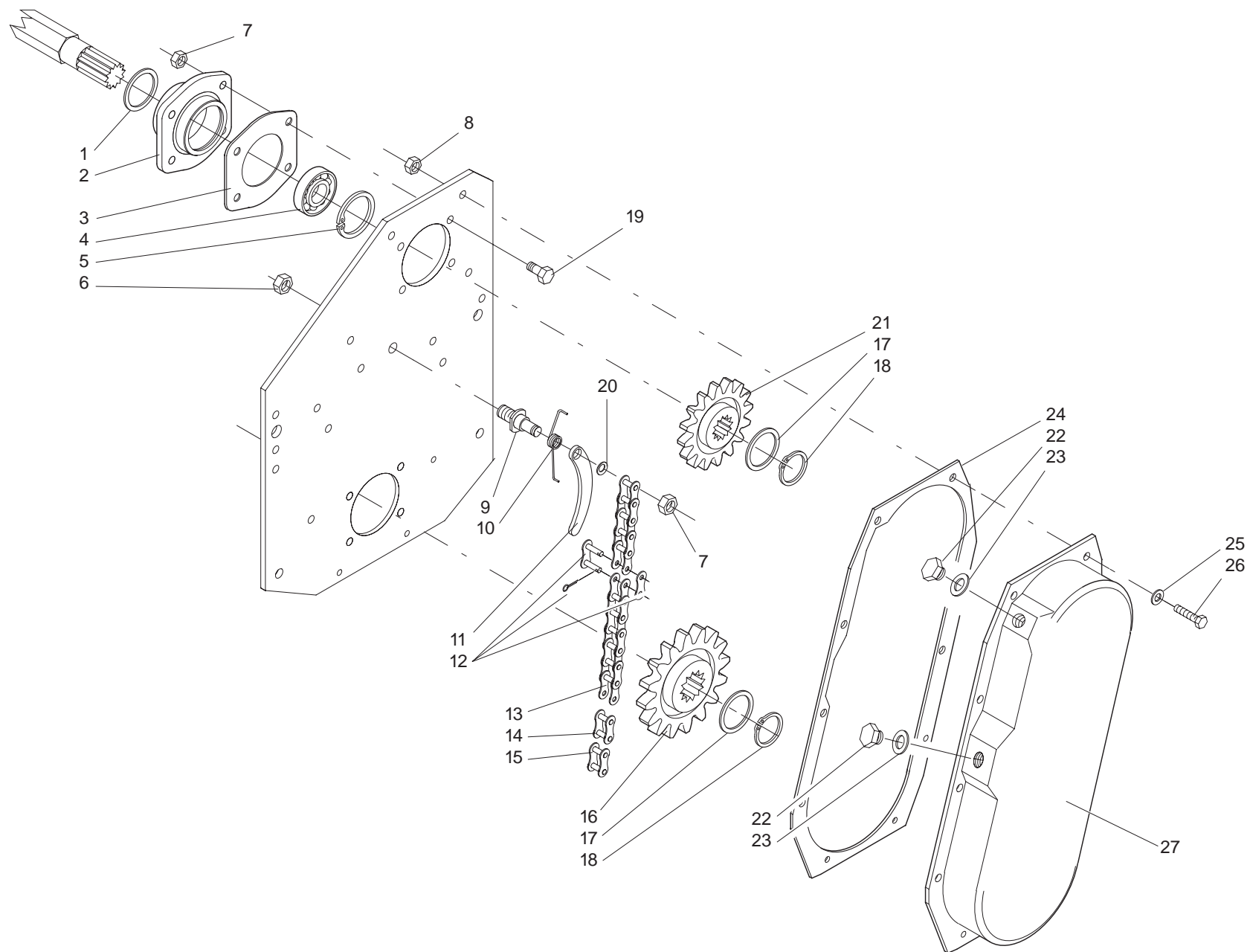
TAV. 20



▲ **Valido per tenuta anfibia**
Gültig zu dichtung amphibie
 valable pour garniture amphibie
válido por junta anfibia
 valid for water proof seal

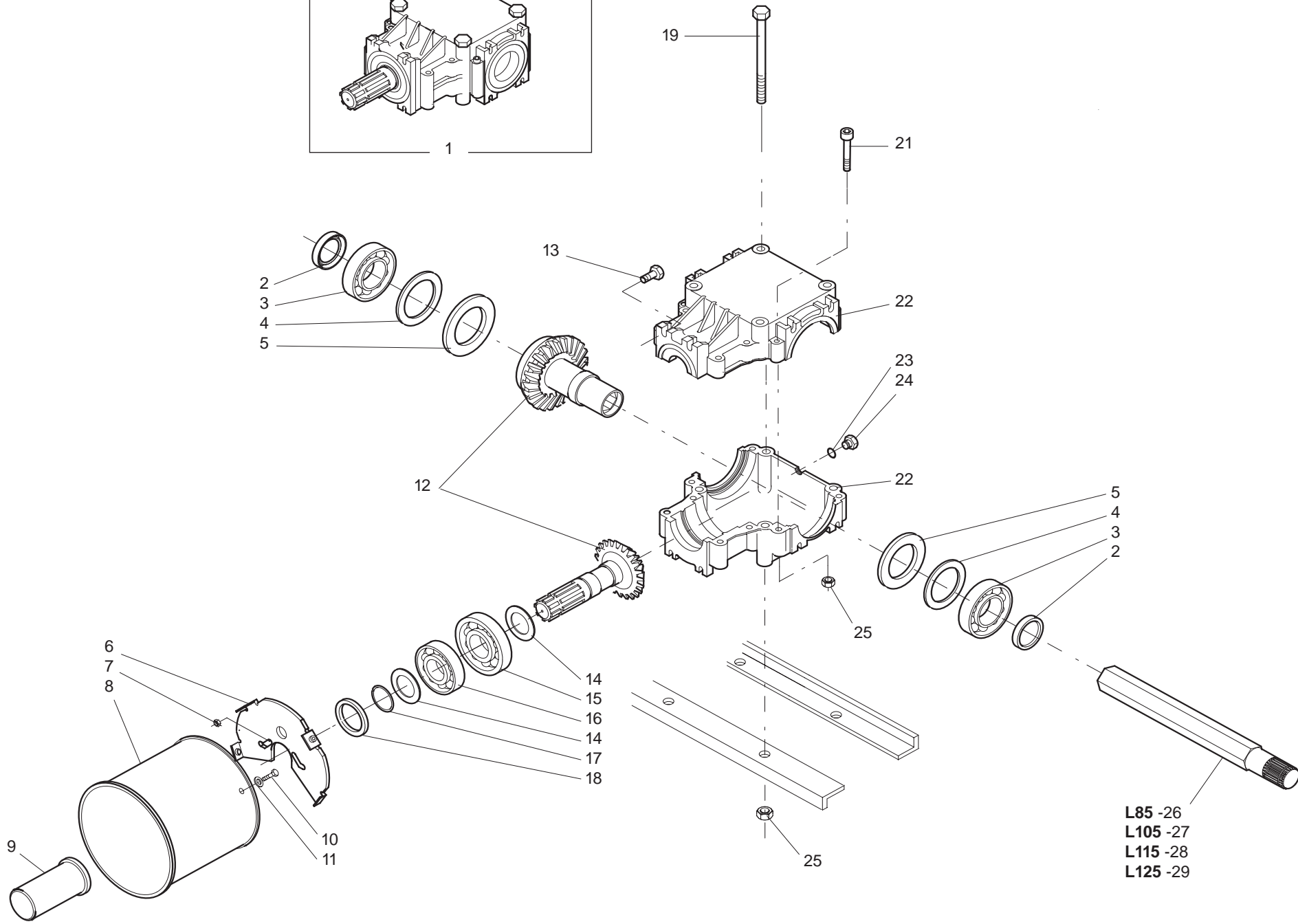
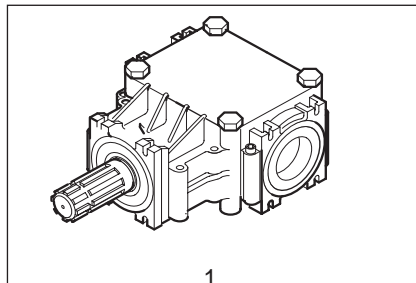
POS	CODICE	DESCRIZIONE	DESCRIPTION	DESCRIPTION	BENENNUNG	DESCRIPCION
1	F01010244	VITE M10X1,25X25 U5740 8.8 ZN	BOLT M 10X1,25X25	VIS M 10X1,25X25	SCHRAUBE M 10X1,25X25	TORNILLO M 10X1,25X25
2	F01100048	ING.M 8X1,25 7663A 9SMNPB28 ZN	SPHERE NIPPLE M8X 1,25 A	GRAISSEUR A BILLES M8 X 1-25 A	KUGELFETTBSCHSE M8 X 1-25 A	ENGRAS. DE ESFERAS M8 X 1-25 A
3	M19100210	GUARN.FLAN. DIST. TRASMIS.	GASKET	JOINT FLASQUE	FLANSCHDICHTUNG	JUNTA BRIDA
4	F02050112	ANELLO E. DE 30X 1,5 U7435 C70	SEEGER RING 30X 1,5 U7435 C70	SEEGER E. 30 X 1,5 U7435 C70	SEEGERING E. 30X 1,5 U7435 C70	ANILLO E. 30 X 1,5 U7435 C70
5	M41100203	DISTANZIALE RINFORZO SEEGER	SPACER	ENTRETOISE	DISTANZSTUECK	DISTANCIADOR
6	F04010214	CUSC.D30 D72 B19 6306 2RS	BEARING 6306 2RS	ROULEMENT 6306 2RS	LAGER 6306	COJINETE 6306 2RS
7	F01220034	DADO M10X1,25 D980 8 ZN	NUT M10X1,25 D980 8 ZN	ECRO.M10X1,25 D980 8 ZN	MUTT.M10X1,25 D980 8 ZN	TUER.M10X1,25 D980 8 ZN
8	M73100404	ZAPPETTA ELICA DX	RIGHT HELICOIDAL BLADE	LAME HELICE L-W6 DRT	RECHTES BOGENMESSER	AZADA HELICE DERECHA
9	M73100405	ZAPPETTA ELICA SX	LEFT HELICOIDAL BLADE	LAME HELICE L-W6 GCH	LINKES BOGENMESSER	AZADA HELICE IZQUIERDA
10	M41100406	SUPPORTO CUSC.ROTORE L.T. "L"	BEARING SUPPORT	SUPPORT ROULEMENT	LAGERHALTER	SOPORTE COJINETE
11	F03010792	ANELLO T. 35X 60X14,5 SPEC.	OIL SEAL 35X60X13-14,5	PARE-HUILE 35X60X13-14,5	OELABDICHTUNG 35X60X13-18,5	PARA-ACEITE 35X60X13-18,5
12	M41108401	COMP.ROTORE PORTAZAPPE L 85	BLADES HOLDER ROTOR 85	ROTOR PORTE COUTEAUX 85	MESSERHALTERROTOR 85	ROTOR PORTA-AZADAS 85
13	M41110401	COMP.ROTORE PORTAZAPPE L105	BLADES HOLDER ROTOR 105	ROTOR PORTE COUTEAUX 105	MESSERHALTERROTOR 105	ROTOR PORTA-AZADAS 105
14	M41101401	COMP.ROTORE PORTAZAPPE L115	BLADES HOLDER ROTOR 115	ROTOR PORTE COUTEAUX 115	MESSERHALTERROTOR 115	ROTOR PORTA-AZADAS 115
15	M41112401	COMP.ROTORE PORTAZAPPE L125	BLADES HOLDER ROTOR 125	ROTOR PORTE COUTEAUX 125	MESSERHALTERROTOR 125	ROTOR PORTA-AZADAS 125
16	M41100404	COPRIPOolvere "L"	EXTERIOR DUST COVER	PARA-POUSSIERE	STAUBDECKEL	PARAPOLVO
17	M41100405	SUPPORTO CUSC.ROTORE L.T. "L"	BEARING SUPPORT	SUPPORT ROULEMENT	LAGERHALTER	SOPORTE COJINETE
18	F02050403	ANELLO E. DI 72X 2,5 U7437 C70	SEEGER RING E.72X2,5 U7437 C70	SEEGER E. 72X 2,5 U7437 C70	SEEGERING E. 72X 2,5 U7437 C70	ANILLO E. 72X 2,5 U7437 C70
19	F20110021	TE.8G.M12X1,25X35F.18 ZP SPEC.	BOLT M 12X1,25X35	VIS M 12X1,25X35	SCHRAUBE M 12X1,25X35	TORNILLO M 12X1,25X35
20	F01200073	DADO M12X1,25 U5587 6S ZN	NUT M12X1,25	ECROU M12X1,25	MUTTER M12X1,25	DADO M12X1,25
21	F01480123	ROS.G 12,5X22,9X 4 EX.C70 ZN	WASHER M12 ZGP EXTRA P.	RONDELLE M12 ZGP EXTRA P.	UNTERLEGSCHIEBE M12 ZGP EXTRA	ARANDELA M12 ZGP EXTRA P.
22	M00567202	VITE M12X1,25X35 + D.+ R.	KIT BOLT 12X1,25X35+NUT+GROWER	VIS 12X1,25X35 10.9+ECROU+ROND	KIT BOLZEN 12X1,25X35+MUT.+ S.	KIT TORNILLO 12X1,25X35+D.+ G.

TAV. 30



POS	CODICE	DESCRIZIONE	DESCRIPTION	DESCRIPTION	BENENNUNG	DESCRIPCION
1	M41100203	DISTANZIALE RINFORZO SEEGER	SPACER	ENTRETOISE	DISTANZSTUECK	DISTANCIADOR
2	M41100202	SUPP.CUSC.PIGNONE CAT.SUP.	BEARING SUPPORT	SUPPORT ROULEMENT	LAGERHALTER	SOPORTE COJINETE
3	M19100210	GUARN.FLAN. DIST. TRASMIS.	GASKET	JOINT FLASQUE	FLANSCHDICHTUNG	JUNTA BRIDA
4	F04010214	CUSC.D30 D72 B19 6306 2RS	BEARING 6306 2RS	ROULEMENT 6306 2RS	LAGER 6306	COJINETE 6306 2RS
5	F02050403	ANELLO E. DI 72X 2,5 U7437 C70	SEEGER RING E.72X2,5 U7437 C70	SEEGER E. 72X 2,5 U7437 C70	SEEGERING E. 72X 2,5 U7437 C70	ANILLO E. 72X 2,5 U7437 C70
6	F01220047	DADO M12X1,25 D980 8 ZN	SELF LOCKING NUT M12X1,25 980V	ECROU AUTOBL. M12X1,25 980-V	SIEHE	DADO AUTOBL. M12X1,25 980-V
7	F01220034	DADO M10X1,25 D980 8 ZN	NUT M10X1,25 D980 8 ZB	ECRO.M10X1,25 D980 8 ZB	MUTT.M10X1,25 D980 8 ZB	TUER.M10X1,25 D980 8 ZB
8	F01220034	DADO M10X1,25 D980 8 ZN	NUT M10X1,25 D980 8 ZB	ECRO.M10X1,25 D980 8 ZB	MUTT.M10X1,25 D980 8 ZB	TUER.M10X1,25 D980 8 ZB
9	M73100304	PERNO TENDICATENA L-W	CHAIN-STRETCHER PIN L-W	GOUJON TENDEUR DE CHAINE	KETTENSANNERBOLZEN	PERNO TENSOR DE CADENAS
10	M73100306	MOLLA TENDICATENA	SPRING STRETCHER	RESSORT	FEDER	MUELLE
11	M73100305	TENDICATENA L-W	STRETCHER L-W	TENDEUR DE CHAINE	KETTENSANNER	TENSOR DE CADENA
12	F06080513	MAGLIA GIUNZIONE A 80	CHAIN JOINT ASA 80	JOINT CHAINE ASA 80	VERBINDUNGSGLIED ASA 80	MALLA CONJUNCION ASA 80
13	F06080362	CATENA A80 DA 1" 40 PASSI	CHAIN ASA 80 40 LINKS	CHAINE ASA 80 40 MAILLON	KETTE ASA 80 40 GLIEDER	CADENA ASA 80 40 ESLABON
14	F06080575	MAGLIA INTERNA A80	INNER LINK ASA 80	MAILLE INTERIEUR ASA 80	INNENGLIED ASA 80	MALLA INTERNA ASA 80
15	F06080549	FALSA MAGLIA A80	DUMMY LINK ASA 80	MAILLE FAUSSE ASA 80	BLINDES GLIED ASA 80	MALLA ENTREDOS ASA 80
16	M41100304	PIGNONE INFERIORE CATENA Z=16	LOWER CHAIN PINION	PIGNON CHAINE INFERIEUR	UNTERKETTENRITZEL	PINON CADENA INFERIOR
17	M41100203	DISTANZIALE RINFORZO SEEGER	SPACER	ENTRETOISE	DISTANZSTUECK	DISTANCIADOR
18	F02050112	ANELLO E. DE 30X 1,5 U7435 C70	SEEGER RING 30X 1,5 U7435 C70	SEEGER E. 30 X 1,5 U7435 C70	SEEGERING E. 30X 1,5 U7435 C70	ANILLO E. 30 X 1,5 U7435 C70
19	F01010244	VITE M10X1,25X25 U5740 8.8 ZN	BOLT M 10X1,25X25	VIS M 10X1,25X25	SCHRAUBE M 10X1,25X25	TORNILLO M 10X1,25X25
20	F01470022	ROS.T 12,2X 28X1,50 ZN	WASHER 12	ROSETTE	SCHEIBE 12	ARANDELLA 12
21	M41100303	PIGNONE SUPERIORE CATENA Z=11	UPPER CHAIN PINION	PIGNON CHAINE SUPERIEUR	OBERKETTENRITZEL	PINON CADENA SUPERIOR
22	F03150625	TAPPO CARICO/SCARICO M18X1,5	OIL INLET CAP	BOUCHON HUILE CHARGEMEN	ENTLUEFTERPFROPFEN	CORCHO OLEO
23	M26100321	GUARNIZ.D=26 D=18 S=1,5 ALLUM.	GASKET	JOINT	DICHTUNG	JUNTA
24	M48000303	GUARNIZIONE CARTER	CARTER CHAIN GASKET	JOINT CARTER CHAINE	DICHTUNG KETTENGEHAEUSE	JUNTA CARTER CADENA
25	F01410051	ROS.M8 8,4X 17X1,6 U6592 ZN	PLANE WASHER D.8	RONDELLE D.8	SCHEIBE D.8	ARANDELA D.8
26	F01020436	VITE M 8X1,25X 20 U5739 8.8 ZN	BOLT M 8X20	VIS M 8X20	SCHRAUBE M 8X20	TORNILLO M 8X20
27	M48000301	CARTER CATENA W	CHAIN CARTER	CARTER CHAINE	KETTENGEHAEUSE	CARTER CADENA

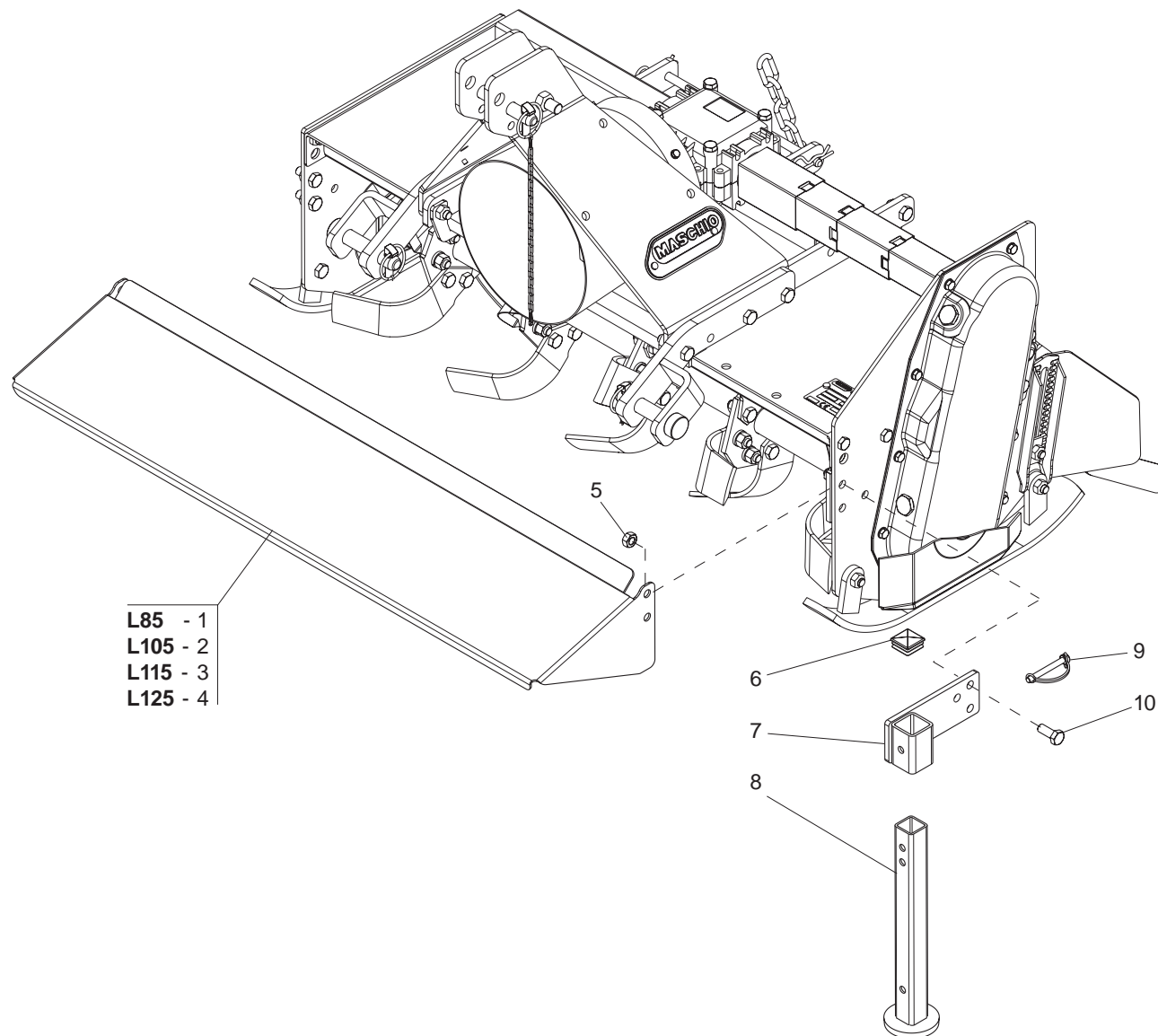
TAV. 40



- L85 -26
- L105 -27
- L115 -28
- L125 -29

POS	CODICE	DESCRIZIONE	DESCRIPTION	DESCRIPTION	BENENNUNG	DESCRIPCION	TAV. 40
1	M41100101	RIDUTTORE COMPLETO	COMPLETE GEAR BOX	BOITE DE VITESSE COMPL.	WECHSELGETRIEBGE KOMPL.	CAJA CAMBIO COMPL.	
2	F03010303	ANELLO T.AS 50X 62X 7 D3760NBR	OIL SEAL 50X62X7 BA	PARE-HUILE 50X62X7 BA	OELABDICHTUNG 50X62X7 BA	PARA-ACEITE 50X62X7 BA	
3	F04010144	CUSC.D50 D80 B16 6010	BEARING 6010	ROULEMENT 6010	LAGER 6010	COJINETE 6010	
4	M41100106	SPESSORE REG.51,5X40,3X0,5	THICKNESS	EPAISSEUR	PLAETTCHEN	ESPESOR	
5	M41100102	DISTANZIALE	SPACER	ENTRETOISE	DISTANZSTUECK	DISTANCIADOR	
6	M74100126	COMP.ATTACCO PROTEZ.CARDANO	PROTECTION SUPPORT	SUPPORT PROTECTION CARDAN	GELENKWELLENSCHUTZ HALTER	SOPORTE PROTECCION CARDANICO	
7	F01220022	DADO M 8X1,25 D980 8 ZB	SELF LOCKING NUT M8X1,25 980V	ECROU AUTOBL. M8X1,25 980-V	SELBSTSP.MUTT. M8X1,25 980-V	DADO AUTOBL. M8X1,25 980-V	
8	M01110144	PROTEZIONE CARDANO	CARDAN PROTECTION	PROTECTION CARDAN	GELENKWELLENSCHUTZ	PROTECCION CARDANICO	
9	M38100146	MANICOTTO PROTEZIONE PDF 1"3/8	P.T.O. PROTECTION	MANCHON DE PROTECTION P.T.O.	ZAPFWELLENSCHUTZ P.T.O.	MANGUITO PROTECCION P.T.O.	
10	F01020403	VITE M 6X 1X 16 U5739 8.8 ZB	BOLT M 6X16	VIS M 6X16	SCHRAUBE M 6X16	TORNILLO M 6X16	
11	F01410037	ROS.M6 6,4X12,5X1,6 U6592 ZB	PLANE WASHER D.6	RONDELLE D.6	SCHEIBE D.6	ARANDELA D.6	
12	M41100110	COPIA CONICA	BEVEL GEAR PAIR	COUPLE CONIQUE	KEGELRITZELSATZ	PAR CONICO	
13	F01020436	VITE M 8X1,25X 20 U5739 8.8 ZB	BOLT M 8X20	VIS M 8X20	SCHRAUBE M 8X20	TORNILLO M 8X20	
14	M41100107	SPESSORE REG. 48,0X35,3X0,6	THICKNESS	EPAISSEUR	PLAETTCHEN	ESPESOR	
15	F04010216	CUSC.D35 D80 B21 6307	BEARING 6307	ROULEMENT 6307	LAGER 6307	COJINETE 6207	
16	F04010175	CUSC.D35 D72 B17 6207	BEARING 6207	ROULEMENT 6207	LAGER 6207	COJINETE 6207	
17	F02050168	ANELLO E. DE 40X1,75 U7435 C70	SEEGER RING D.40	BAGUE SEEGER D.40	SEEGERRING D.40	ANILLO SEEGER D.40	
18	F03010086	ANELLO T.A 35X 62X 8 D3760NBR	OIL SEAL 35X62X8	PARE-HUILE 35X62X8	OELABDICHTUNG 35X62X8	PARA-ACEITE 35X62X8	
19	F01010038	VITE M10X1,25X140 5738 8.8 ZB	BOLT M 10X1,25X140	VIS M 10X1,25X140	SCHRAUBE M 10X1,25X140	TORNILLO M 10X1,20X140	
21	F01010038	VITE M10X1,25X140 5738 8.8 ZB	BOLT M 10X1,25X140	VIS M 10X1,25X140	SCHRAUBE M 10X1,25X140	TORNILLO M 10X1,25X140	
22	M41100108	SEMISCATOLA (ESAGONO)	GEARBOX	BOITE DE VITESSE	WECHSELGETRIEBEGEHAUSE	CAJA CAMBIO	
23	F03010396	ANELLO OR 15,54X2,62 NBR	O RING 3062	JOINT 3062	DICHTUNG DOWTY 3062	0	
24	M41100104	DADO	OIL OUTLET PLUG	BOUCHON DE VIDANGE HUILE	OELABLASSPFROPFEN	TAPON DESCARGADO ACEITE	
25	F01220034	DADO M10X1,25 D980 8 ZB	NUT M10X1,25 D980 8 ZB	ECRO.M10X1,25 D980 8 ZB	MUTT.M10X1,25 D980 8 ZB	TUER.M10X1,25 D980 8 ZB	
26	M41108201	ALBERO TRASMISSIONE L 85 ZBD	TRANSMISSION SHAFT 85	ARBRE DE TRANSMISSION 85	ANTRIEBSWELLE 85	EJE DE TRASMISION 85	
27	M41110201	ALBERO TRASMISSIONE L105 ZBD	TRANSMISSION SHAFT 105	ARBRE DE TRANSMISSION 105	ANTRIEBSWELLE 105	EJE DE TRASMISION 105	
28	M41101201	ALBERO TRASMISSIONE L115 ZBD	TRANSMISSION SHAFT 115	ARBRE DE TRANSMISSION 115	ANTRIEBSWELLE 115	EJE DE TRASMISION 115	
29	M41112201	ALBERO TRASMISSIONE L125 ZBD	TRANSMISSION SHAFT 125	ARBRE DE TRANSMISSION 125	ANTRIEBSWELLE 125	EJE DE TRASMISION 125	

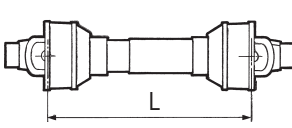
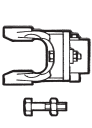
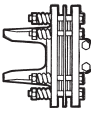
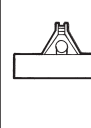
TAV. 50

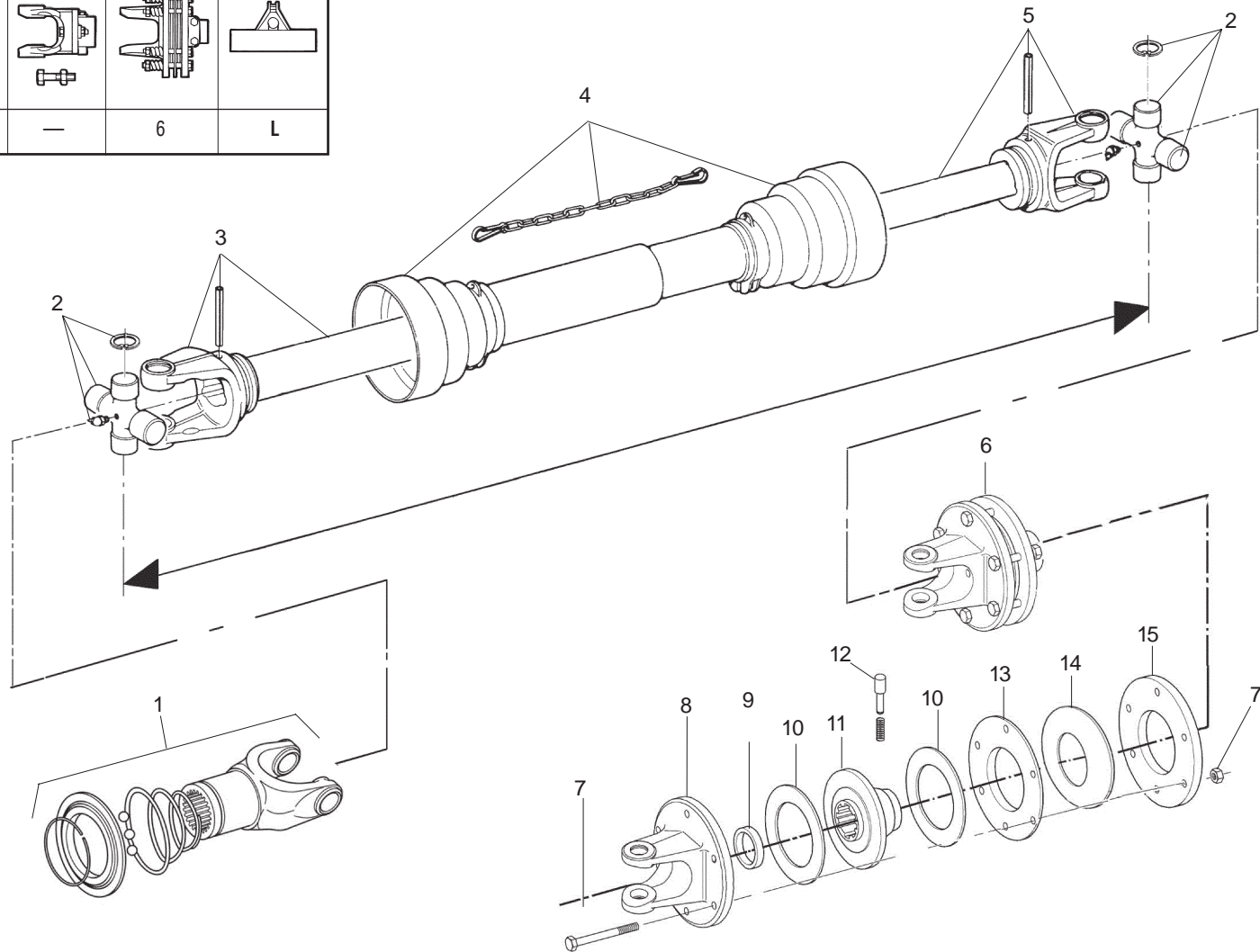


- L85 - 1
- L105 - 2
- L115 - 3
- L125 - 4

POS	CODICE	DESCRIZIONE	DESCRIPTION	DESCRIPTION	BENENNUNG	DESCRIPCION
1	M73108717	PROTEZIONE ANTERIORE 85	FRONT PROTECTION 85	VORDERER SCHUTZ 85	PROTECTION AVANT 85	PROTECCION DELANTERA 85
2	M73110717	PROTEZIONE ANTERIORE 105	FRONT PROTECTION 105	VORDERER SCHUTZ 105	PROTECTION AVANT 105	PROTECCION DELANTERA 105
3	M73111717	PROTEZIONE ANTERIORE 115	FRONT PROTECTION 115	VORDERER SCHUTZ 115	PROTECTION AVANT 115	PROTECCION DELANTERA 115
4	M73112717	PROTEZIONE ANTERIORE 125	FRONT PROTECTION 125	VORDERER SCHUTZ 125	PROTECTION AVANT 125	PROTECCION DELANTERA 125
5	F01220047	DADO M12X1,25 D980 8 ZN	SELF LOCKING NUT M12X1,25 980V	ECROU AUTOBL. M12X1,25 980-V	SIEHE	DADO AUTOBL. M12X1,25 980-V
6	F05100025	TAPPO AD ALETTE 35X35 PLT NERO	PLUG	BOUCHON FERMETURE	VERSCHLUSSPFROPFEN	TAPONCLAUSURA
7	M66100556	COMP. SUPPORTO PIEDINO	SUPPORT	SUPPORT	HALTER	SOPORTE
8	M73100715	COMP. PIEDINO L=341	SUPPORT	SUPPORT FRAISE	FRASE STANDER	SOPORTE FRESADORA
9	F02200562	SPINA SICUR. D. 8X70 ZN	SPLIT PIN D.8X70 ZB	GOUPILLE D.8X70 ZB	BOLZEN D.8X70 ZB	PERNO D.8X70 ZB
10	F01010283	VITE M12X1,25X30 U5740 8.8 ZN	BOLT M 12X1,25X30	VIS M 12X1,25X30	SCHRAUBE M 12X1,25X30	TORNILLO M 12X1,25X30

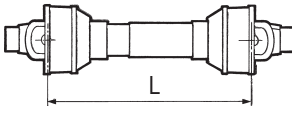
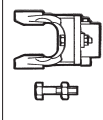
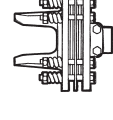
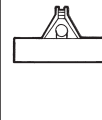
BONDIOLI

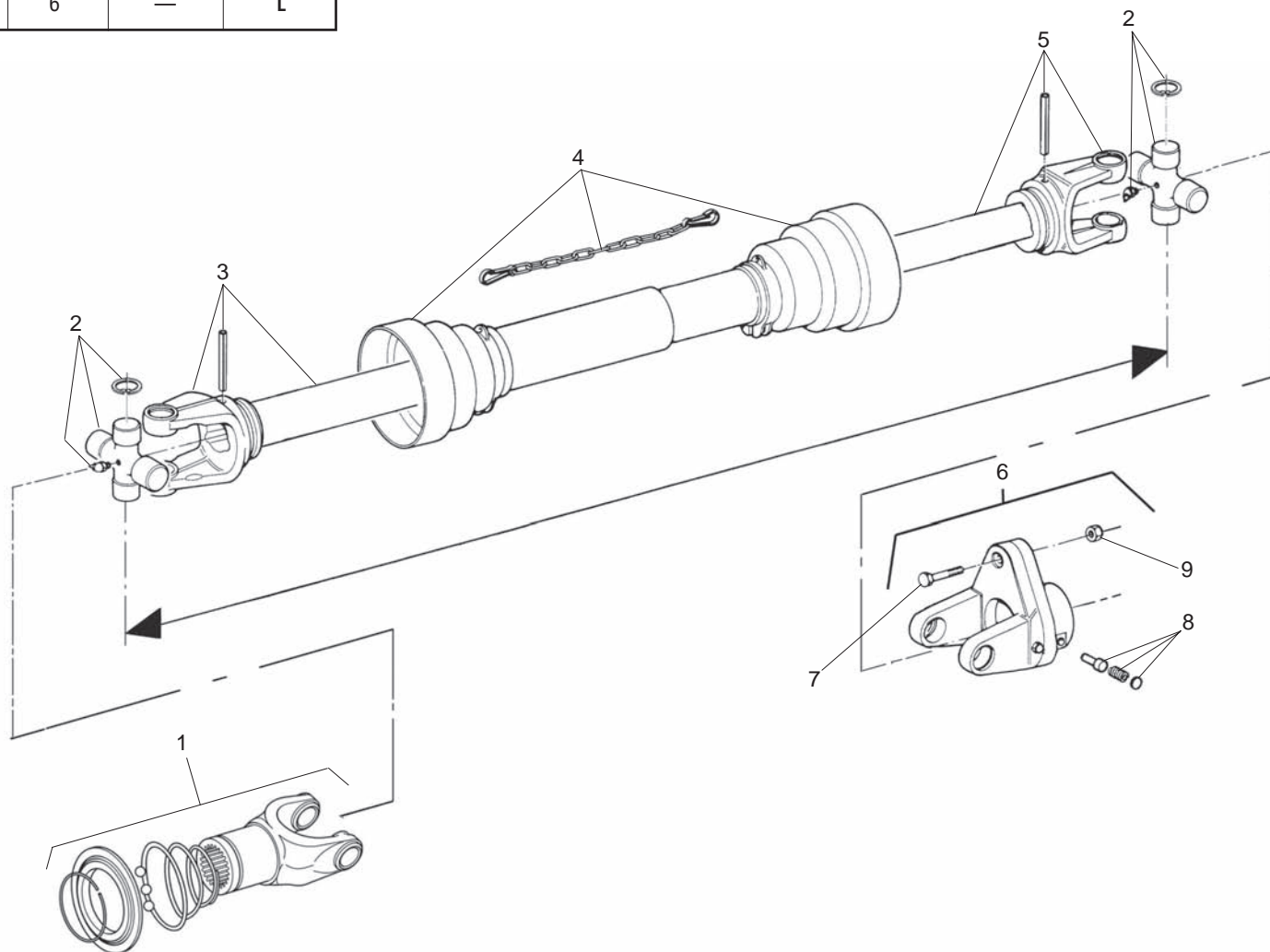
			
F08011786	L=680	—	6
			L



POS	CODICE	DESCRIZIONE	DESCRIPTION	DESCRIPTION	BENENNUNG	DESCRIPCION
1	F08010166	FORCELLA COMPLETA	LINKAGE FORK	FOURCHE ATTELAGE	GABELSTUECK	HORQUILLA ATAQUE
2	F08010699	CROCIERA COMPLETA	SPIDER ASSY	CROISIERE COMPL.	GELENKKREUZ KOMPL.	CRUCETA COMPLETA
3	F08010488	FORCELLA COLLEGAMENTO EST.	FORK WITH EXTERNAL PIPE	FOURCHE AVEC TUBE EXTERIEUR	GABELST. + AUSSENROHR	HORQUILLA + TUBO EXTERNO
4	F08010900	07.223.088.10 PROTEZ.COMPLETA	PROTECTION ASSY	PROTECTION COMPL.	KOMPL. SCHUTZ	PROTECCION COMPL.
5	F08010558	FORCELLA COLLEG. INT.	FORK WITH INTERNAL PIPE	FOURCHE AVEC TUBE INT.	GABELST. + AUSSENROHR	HORQUILLA + TUBO INT.
6	F08011928	FRIZIONE COMPLETA	CLUTCH ASSY	EMBRAYAGE COMPL.	KOMPL. KUPPLUNG	FRICCION COMPL.
7	F08011920	VITE M 8X1,25X50 U5737 8.8 ZN	BOLT M 8X1,25X50 U5737 8.8 ZG	VIS M 8X1,25X50 U5737 8.8 ZG	SCHRAUBE M 8X1,25X50 U5737 8.8	TORNILLO M 8X1,25X50 U5737 8.8
8	F08011914	FORCELLA FLANGIATA	FLANGE FORK	FOURCHE AVEC FLASQUE	GABELSTUECK M. FLANSCH	HORQUILLA BRIDA
9	F08001840	BUSSOLA	BUSH	BOUSSOLE	BUECHSE	BRUJULA
10	F08011915	DISCO D'ATTRITO	LINING	DISQUE DE FROTTEMENT	KUPPLUNGSCHIEBE	DISCO FROTAMIENTO
11	F08011916	MOZZO	SPLINED HUB	MOYEU CANNELE	KEILNABE	CUBO ACANALADO
12	F08001860	PULSANTE COMPLETO	PUSHBUTTON ASSY	POUSSOIR COMPL.	DRUCKKNOPF KOMPL.	PULSADOR COMPL.
13	F08011917	DISCO INTERNO	INT. DISC	DISC INTER.	INN. SCHEIBE	DISCO INTERIOR
14	F08011918	MOLLA DI PRESSIONE	PRESSURE SPRING	RESSORT DE PRESSION	DRUCKFEDER	MUELLE DE PRESION
15	F08011919	DISCO DI PRESSIONE	PRESSURE DISC	DISQUE DE PRESSION	DRUCKSCHEIBE	DISCO DE PRESION

BONDIOLI

			
F08011787	L=680	6	—
			L



POS	CODICE	DESCRIZIONE	DESCRIPTION	DESCRIPTION	BENENNUNG	DESCRIPCION
1	F08010166	FORCELLA PULSANTE COMPLETO	LINKAGE FORK	FOURCHE ATTELAGE	GABELSTUECK	HORQUILLA ATAQUE
2	F08010699	CROCIERA COMPLETA	SPIDER ASSY	CROISIERE COMPL.	GELENKKREUZ KOMPL.	CRUCETA COMPLETA
3	F08010488	FORCELLA COLLEGAMENTO EST.	FORK WITH EXTERNAL PIPE	FOURCHE AVEC TUBE EXTERIEUR	GABELST. + AUSSENROHR	HORQUILLA + TUBO EXTERNO
4	F08010900	07.223.088.10 PROTEZ.COMPLETA	PROTECTION ASSY	PROTECTION COMPL.	KOMPL. SCHUTZ	PROTECCION COMPL.
5	F08010558	FORCELLA COLLEG. INT.	FORK WITH INTERNAL PIPE	FOURCHE AVEC TUBE INT.	GABELST. + AUSSENROHR	HORQUILLA + TUBO INT.
6	F08012002	LIMITATORE A BULLONE	SHEAR PIN	LIMITEUR	SCHERSTIFT	LIMITADOR
7	F01020072	VITE M 8X1,25X50 U5737 8.8 ZN	BOLT M 8X1,25X50 U5737 8.8 ZG	VIS M 8X1,25X50 U5737 8.8 ZG	SCHRAUBE M 8X1,25X50 U5737 8.8	TORNILLO M 8X1,25X50 U5737 8.8
8	F08011181	PULSANTE CPL 1 3/8 14X47	COMPLETE BUTTON	BOUTON COMPLET	KOMPL. KNOPF	PULSADOR COMPL.
9	F01230034	DADO M 8X1,25 D982 8	SELF LOCKING NUT M8X1,25	ECROU AUTOBL. M8X1,25	SELBSTSP.MUTT. M8X1,25	DADO AUTOBL. M8X1,25

**RICHIEDETE SEMPRE RICAMBI ORIGINALI MARCHIATI  GARANZIA DI ASSOLUTA QUALITÀ!
USE  GENUINE PARTS ONLY, A GUARANTEE OF ABSOLUTE QUALITY!
EXIGEZ LES PIÈCES DE RECHANGE ESTAMPILLES  GARANTIE DE QUALITE ABSOLUE
BENUTZEN SIE NUR ORIGINALTEILE MIT DEM EINGEPRÄGTEN  DIE GARANTIE FÜR ABSOLUTE QUALITÄT
UTILICEN REPUESTOS ORIGINALES  GARANTIA Y FIABILIDAD**

**La garanzia MASCHIO sulle macchine ha valore solo se utilizzate Ricambi Originali
MASCHIO Warranty will only cover machines that are fitted with genuine Maschio parts
Les garanties ne s'appliquent que pour les machines équipées de pièces d'origine MASCHIO
Nur der Einsatz von MASCHIO Originalteilen sichert Ihnen die Garantie für Ihre MASCHIO-Geräte
MASCHIO garantiza sus maquinas solo en caso de que esten equipadas con recambios originales**

 **Agip ROTRA MP**

CLASSIFICAZIONE SAE 85W/140

L'olio **AGIP ROTRA MP** soddisfa le seguenti specifiche:
AGIP ROTRA MP oil complies with the following specifications:
L'huile **AGIP ROTRA MP** satisfait les spécifications suivantes:
Das Öl **ROTRA MP** entspricht den folgenden Normen:
L'aceite **AGIP ROTRA MP** satisfa los siguientes normas:

- API GL5
- MIL-L-2105C

 **Agip GR MU EP2**

Il grasso **AGIP GR MU EP 2** soddisfa le seguenti specifiche:
AGIP GR MU EP 2 grease complies with the following specifications:
La graisse **AGIP GR MU EP 2** satisfait les spécifications suivantes:
Das Fett **AGIP GR MU EP 2** entspricht den folgenden Normen:
La grasa **AGIP GR MU EP 2** satisfa los siguientes normas:

- DIN 51825 (KP2K)

MASCHIO

GASPARDO

MASCHIO GASPARDO S.p.A.
Registered office & Production plant
Via Marcello, 73
I-35011 Campodarsego (Padova) Italy
Tel. +39 049 9289810
Fax +39 049 9289900
<http://www.maschionet.com>
E-mail: info@maschio.com

MASCHIO FRANCE S.a.r.l.
1, rue de Merignan ZA
F-45240 - La Ferte St. Aubin - France
Tel. +33 (0) 2.38.64.12.12
Fax +33 (0) 2.38.64.66.79

MASCHIO MIDDLE EAST
P.O. Box 922388
Amman, 11192 Jordan
Tel. 962 6 5511384
Fax 962 6 5538398
E-mail: tahaeng@nets.com.jo

MASCHIO DEUTSCHLAND GmbH
Äußere Nürnberger Straße 5
D-91177 Thalmässing
Deutschland
Tel. +49 (0) 9173 79000
Fax +49 (0) 9173 790079

MASCHIO-GASPARDO USA, Inc.
120 North Scott Park Road
Eldridge, IA 52748 - USA
Ph. +1 563 - 285 9937
Fax +1 563 - 285 9938

MASCHIO-GASPARDO IBERICA S.L.
Calle Cabernet, n° 10
Poligono Industrial Clot de Moja
Olerdola - 08734 - Barcelona
Tel. +34 93 81.99.058
Fax +34 93 81.99.059

MASCHIO-GASPARDO ROMANIA S.R.L.
Strada Înfrățirii, 155
315100 Chișineu-Criș (Arad) - România
Tel. +40 257 307030
Fax +40 257 307040
www.maschionet.com
e-mail: info@maschio.ro