



www.bearcatproducts.com

4.5 INCH CHIPPER

CH45540 - 540 PTO

PARTS MANUAL



PN: 14784-00
Rev. 010113
Companion to 14783-00
SN RANGE: D00001 - CURRENT

Before You Begin

DEAR ECHO BEAR CAT CUSTOMER

Thank you for purchasing a ECHO Bear Cat product. The ECHO Bear Cat line is designed, tested, and manufactured to give years of dependable performance. To keep your machine operating at peak efficiency, it is necessary to adjust it correctly and make regular inspections. The following pages will assist you in the operation and maintenance of your machine. Please read and understand this manual before operating your machine.

If you have any questions or comments about this manual, please call us toll-free at 1.888.645.4520.

If you have any questions or problems with your machine, please call or write your local authorized ECHO Bear Cat Dealer.

This document is based on information available at the time of its publication. ECHO Bear Cat is continually making improvements and developing new equipment. In doing so, we reserve the right to make changes or add improvements to our product without obligation for equipment previously sold.

PLEASE SEND US YOUR WARRANTY CARD

A warranty card is included in your owner's kit packaged with your machine. Please take the time to fill in the information requested on the card. When you send your completed card to us, we will register your machine and start your coverage under our limited warranty or go to bearcatproducts.com/warranty/warranty-registration/.

FOR MACHINE SERVICE OR PARTS:

For service assistance, contact your nearest authorized ECHO Bear Cat dealer or the factory. For parts, contact your authorized dealer. The parts manual for your machine is available at <http://bearcatproducts.com/main/support/index.html>. Your dealer will need to know the identification number of your machine to provide the most efficient service. See below for information on how to identify and record the identification number for your machine.

FOR ENGINE SERVICE OR PARTS:

For engine service or parts, contact your nearest authorized engine dealer. ECHO Bear Cat does not handle any parts, repairs or warranties for engines.

ORDERING PARTS

Only genuine ECHO Bear Cat replacement parts should be used to repair the machine. Replacement parts manufactured by others could present safety hazards, even though they may fit on this machine. Replacement parts are available from your ECHO Bear Cat dealer.

Provide the following when ordering parts:

The SERIAL NUMBER OR VIN of your machine.

The PART NUMBER of the part.

The PART DESCRIPTION.

The QUANTITY needed.

IDENTIFICATION NUMBER LOCATION

Your machine will have either a serial number or vehicle identification number (VIN). VINs are located on the left side of the trailer frame near the hitch. They are 17-digit numbers of the format: 5VJAA001XXWXXXXXX. Serial numbers are located on the machine body. They are 6-digit numbers.

Record your identification number in the space provided and on the warranty registration card.

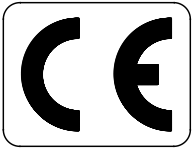
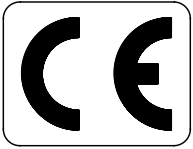


SERIAL NUMBER OR VIN

HOW TO CONTACT ECHO BEAR CAT

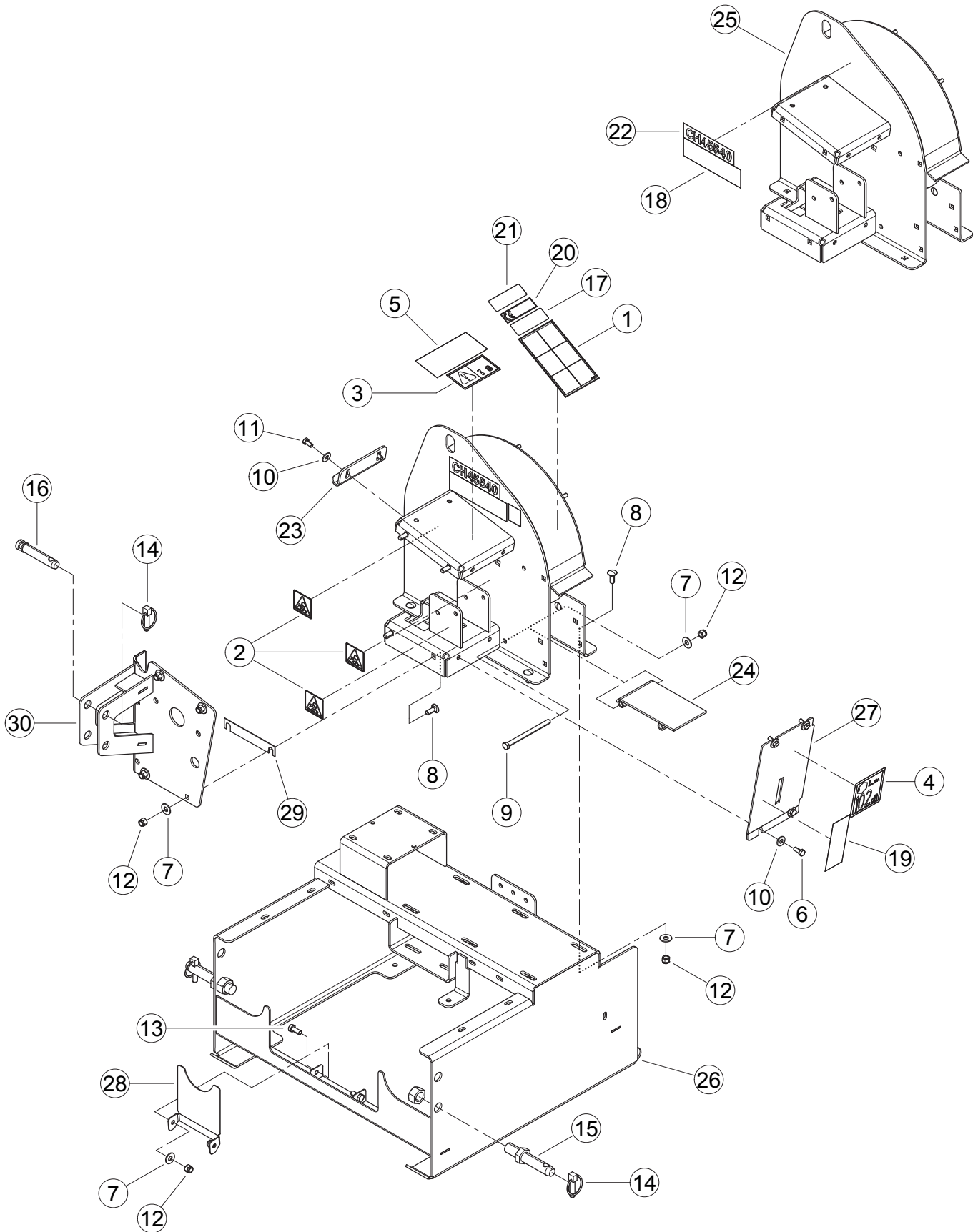
ADDRESS	PHONE	E-MAIL	HOURS
237 NW 12th Street P.O. Box 849 West Fargo, ND 58078	888.645.4520 701.282.5520 FAX: 701.282.9522	sales@bearcatproducts.com service@bearcatproducts.com	Monday - Friday, 8 am to 5 pm Central Time

TABLE OF CONTENTS

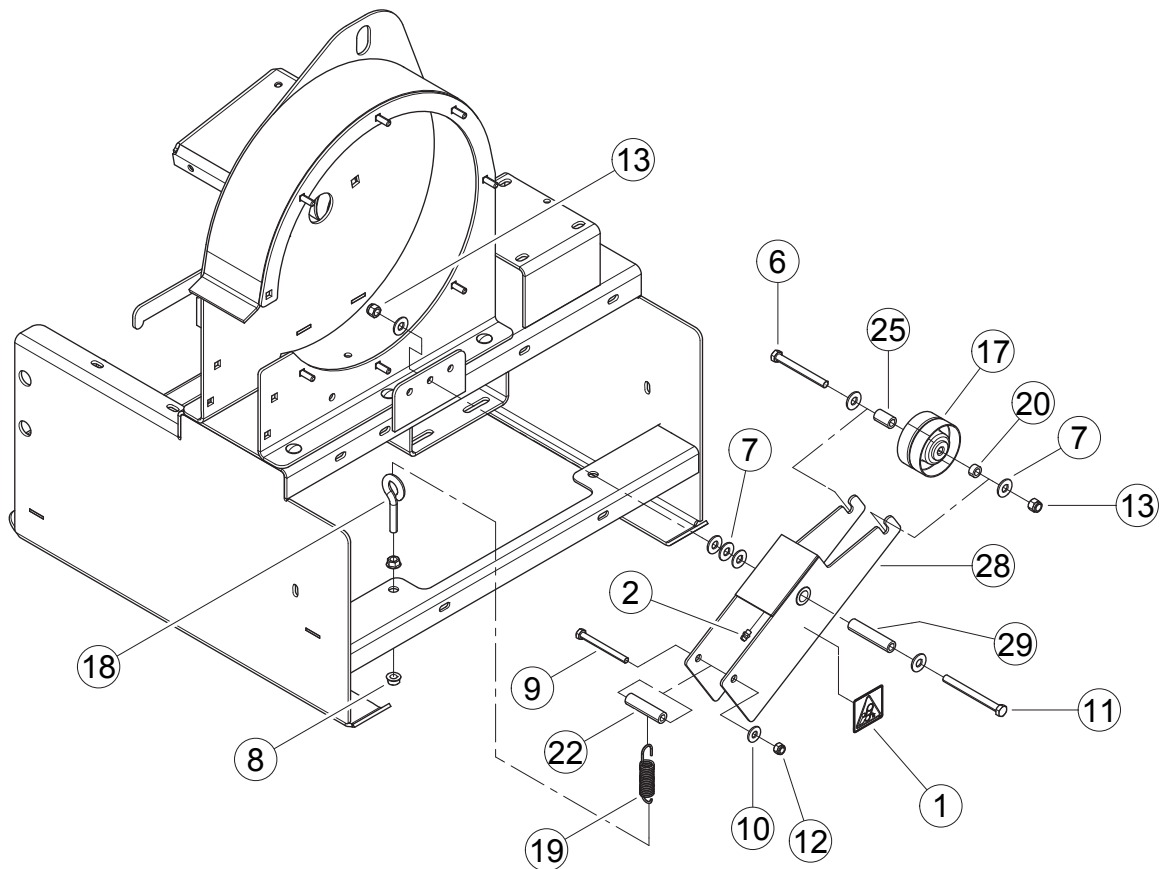
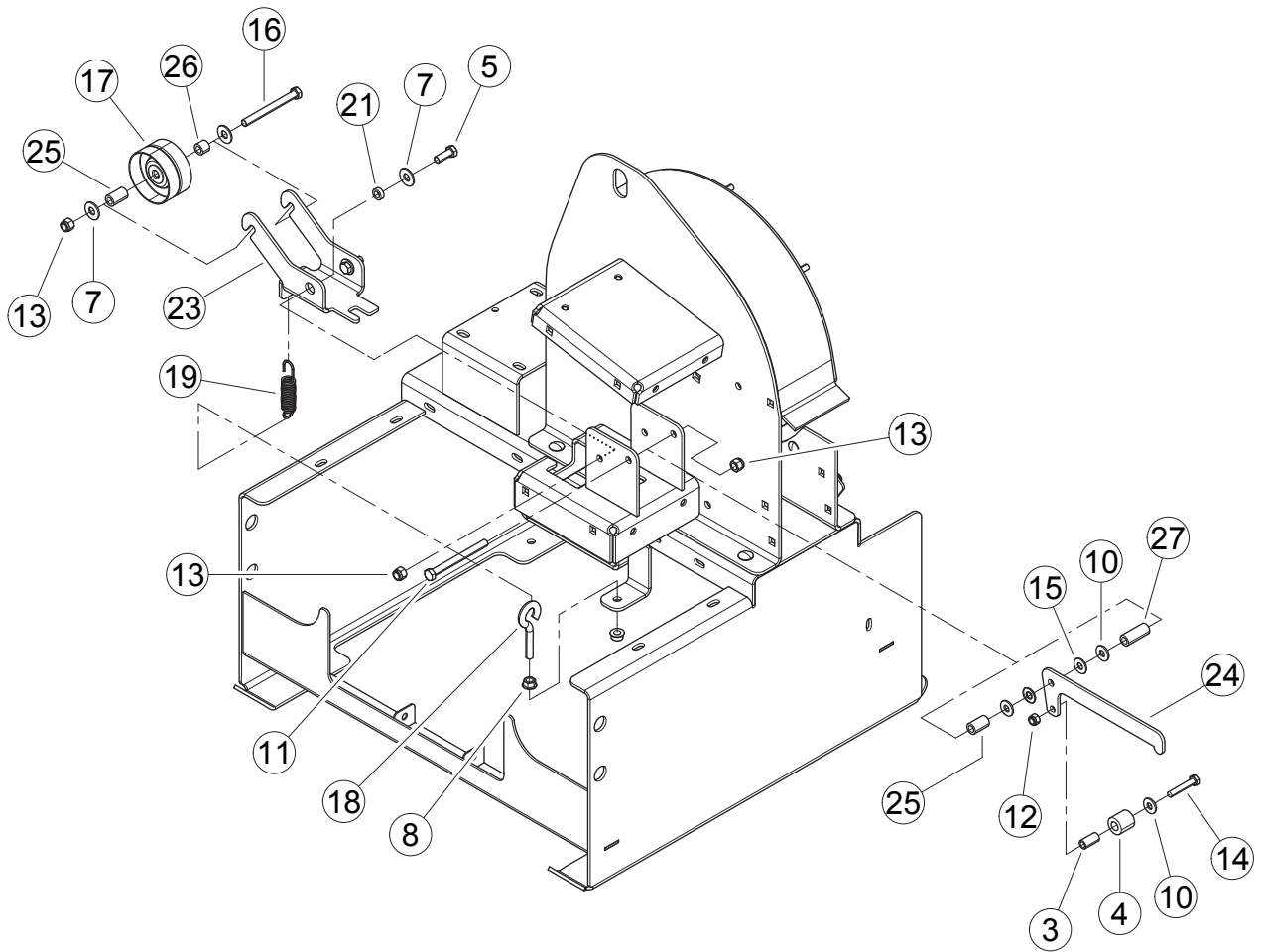
DESCRIPTION	PAGE
BASE.....	1
IDLER.....	3
JACKSHAFT, BELTS & PULLEYS	5
ROTOR, BLADES & BEARINGS	7
ATTACHMENTS.....	9
SHIELDS	11
OPTIONAL DISCHARGE TUBE.....	13
EXTENSION CHUTE	15
<i>CE COMPLIANT</i>	
PTO DRIVESHAFT	16
SERVICE PARTS & ACCESSORIES	17

Is my machine CE Compliant?	
	<p>The CE marking (also known as the “CE mark”) is a mandatory compliance mark on products sold internationally where CE standards are enforced and in the European Economic Area (EEA). The CE marking certifies that a product has met European Union (EU) consumer safety, health or environmental requirements. By affixing the CE marking to our products, Echo Bear Cat declares that it meets EU safety, health and environmental requirements.</p>
	<p>Echo Bear Cat products that are CE compliant will be clearly marked with an identifying “CE” decal. These products feature safety and other engineering features that non-CE compliant products do not have. Non-CE compliant Echo Bear Cat products are primarily sold in countries and regions that do not require or enforce mandatory CE certification. However, this is not true for all countries and regions. If you are unsure of CE requirements for the country or region in which you live, please contact your nearest Echo Bear Cat dealer or distributor.</p>
Other CE Model Identifying Decals	
	<p>Echo Bear Cat products that are CE compliant will also be labeled with a decibal level warning decal. This decal notes the decibal level of noise created while the machine is operating under normal conditions.</p>
	<p>CE compliant Echo Bear Cat products will also have a CE compliance information decal detailing weight and power specifications for the specific model on which it is found.</p>
CE Compliant Decal Location	

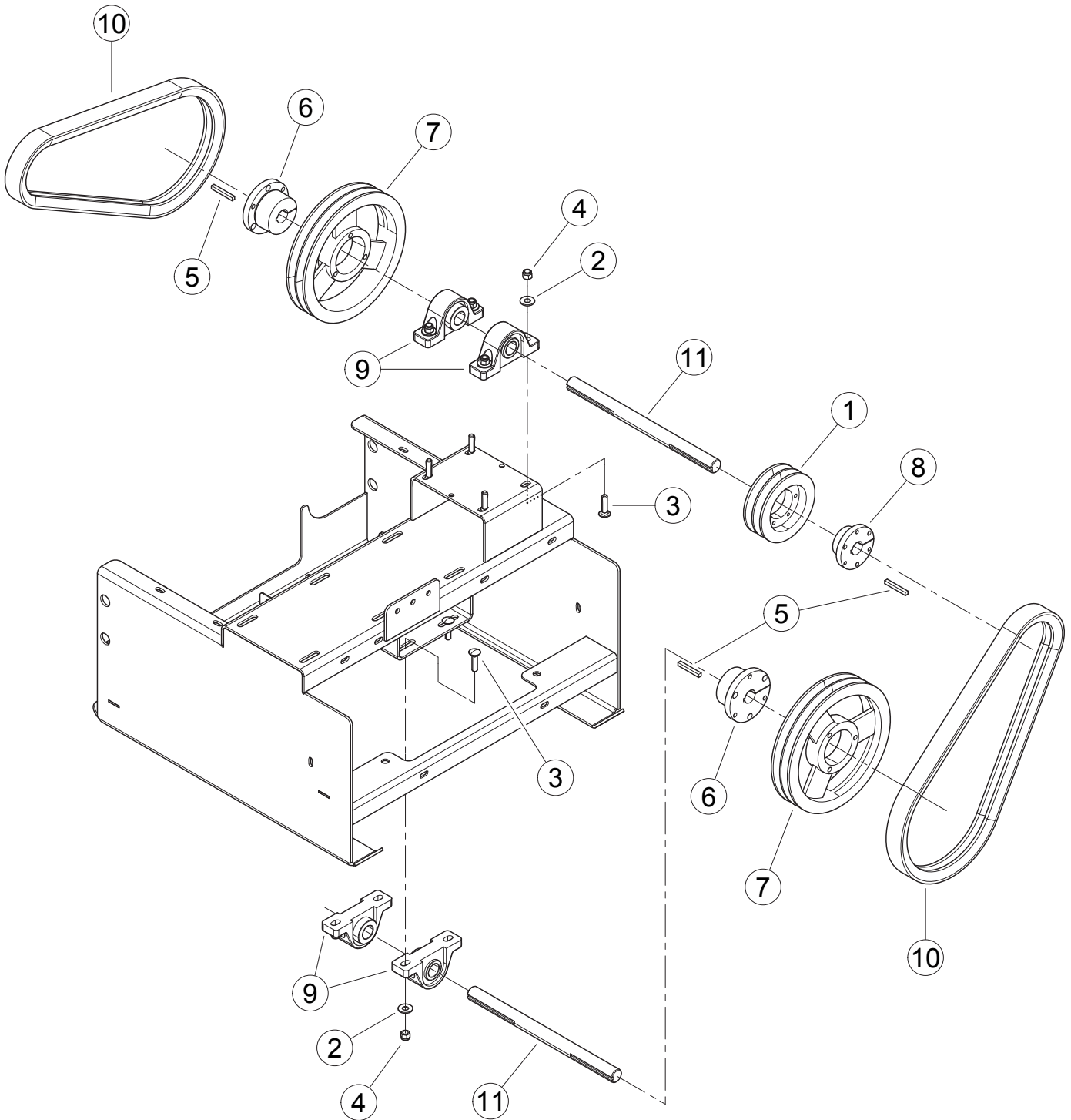
SEE PAGES 1 & 2 FOR DETAILED LOCATION INFORMATION



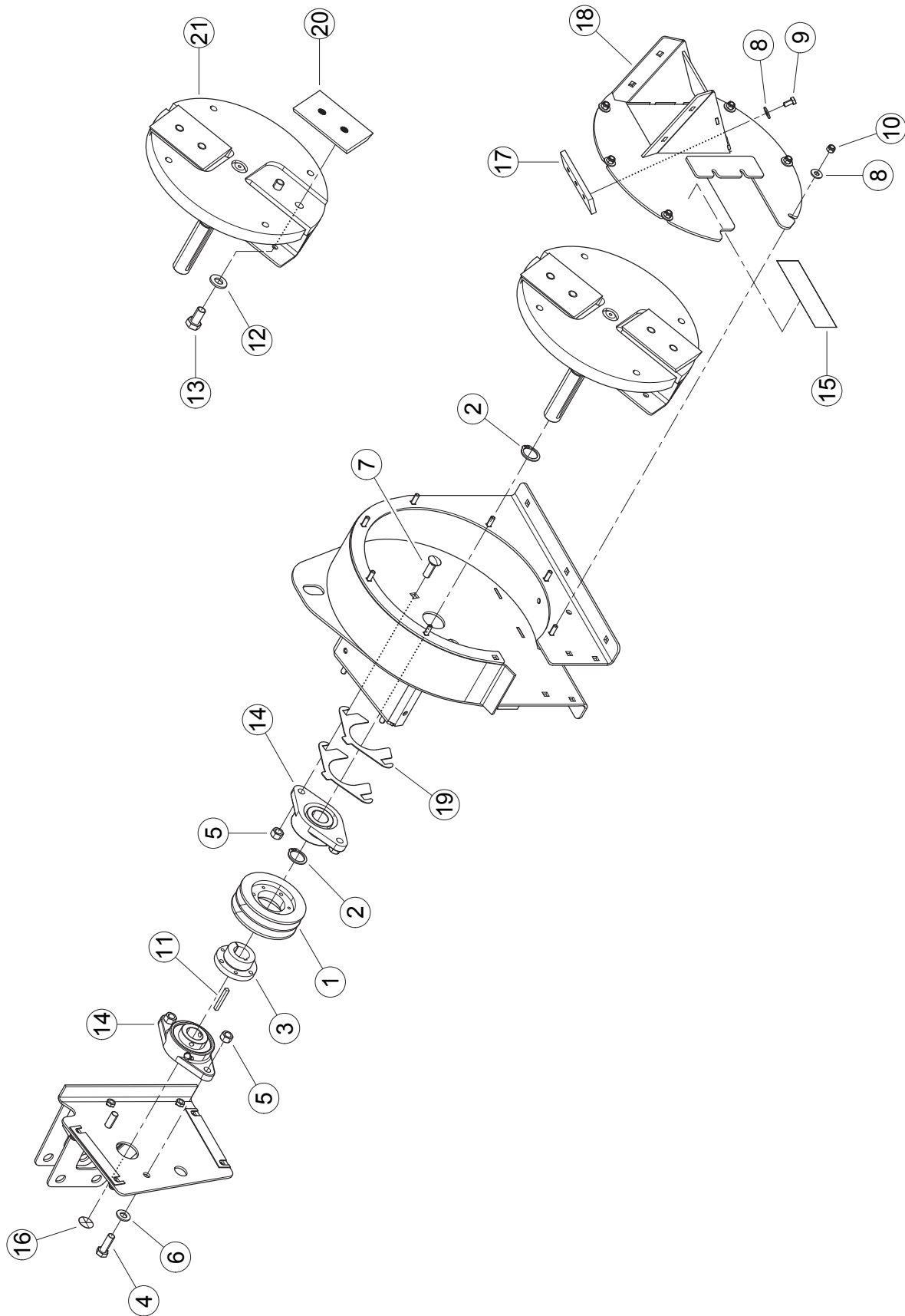
ITEM	PART NUMBER	DESCRIPTION
1	12172	DECAL, OPERATING INSTRUCTIONS ISO
2	12174	DECAL, SHIELD DANGER ISO
3	12250	DECAL, MAINTENANCE ISO
4	14185-00	DECAL, 102 DB
5	14942-00	DECAL, MUTILINGUAL MANUAL
6	15003	BOLT, 5/16 X 3/4 HEX HD GR5 ZP
7	15031	WASHER, 3/8 FLAT ZP
8	15057	BOLT, 3/8 X 1 CRG GR5 NC ZP
9	15205	BOLT, 3/8 X 5 HEX HD GR5 ZP
10	15250	WASHER, 5/16 FLAT ZP
11	15300	BOLT, 5/16 X 5/8 HEX HD GR5 ZP
12	15388	NUT, 3/8 NE NYLOCK ZP
13	15620	BOLT, 3/8-16 X 7/8 HEX HD GR5
14	16015	PIN, 7/16 X 1-3/4 LYNCH
15	16019	PIN, LIFT ARM 7/8 X 5 LONG
16	16020	PIN, TOP LINK 3/4 X 4-1/2 LONG
17	16155	DECAL, SERIAL NUMBER
18	17913	DECAL, ECHO BEARCAT 6.82 X 1.90
19	18059-00	DECAL, CHIPPER ENGAGEMENT
20	18697-00	DECAL, 77454S INFORMATION
21	31890-00	DECAL, ATLANTIC BRIDGE LTD INFO
22	36034-00	DECAL, MODEL CH45540
23	74255-35	GUIDE, BELT
24	74571-12	WELDMENT, CHIP DEFLECTOR
25	74919-35	WELDMENT, CHIPPER HOUSING
26	74938-12	WELDMENT, CHIPPER 3 PT.
27	74944-35	PANEL, SIDE
28	74987-12	PLATE, PTO HOLDER
29	76290-00	SHIM, 4-1/2 INCH CHIPPER
30	77519-35	WELDMENT, BEARING SUPPORT



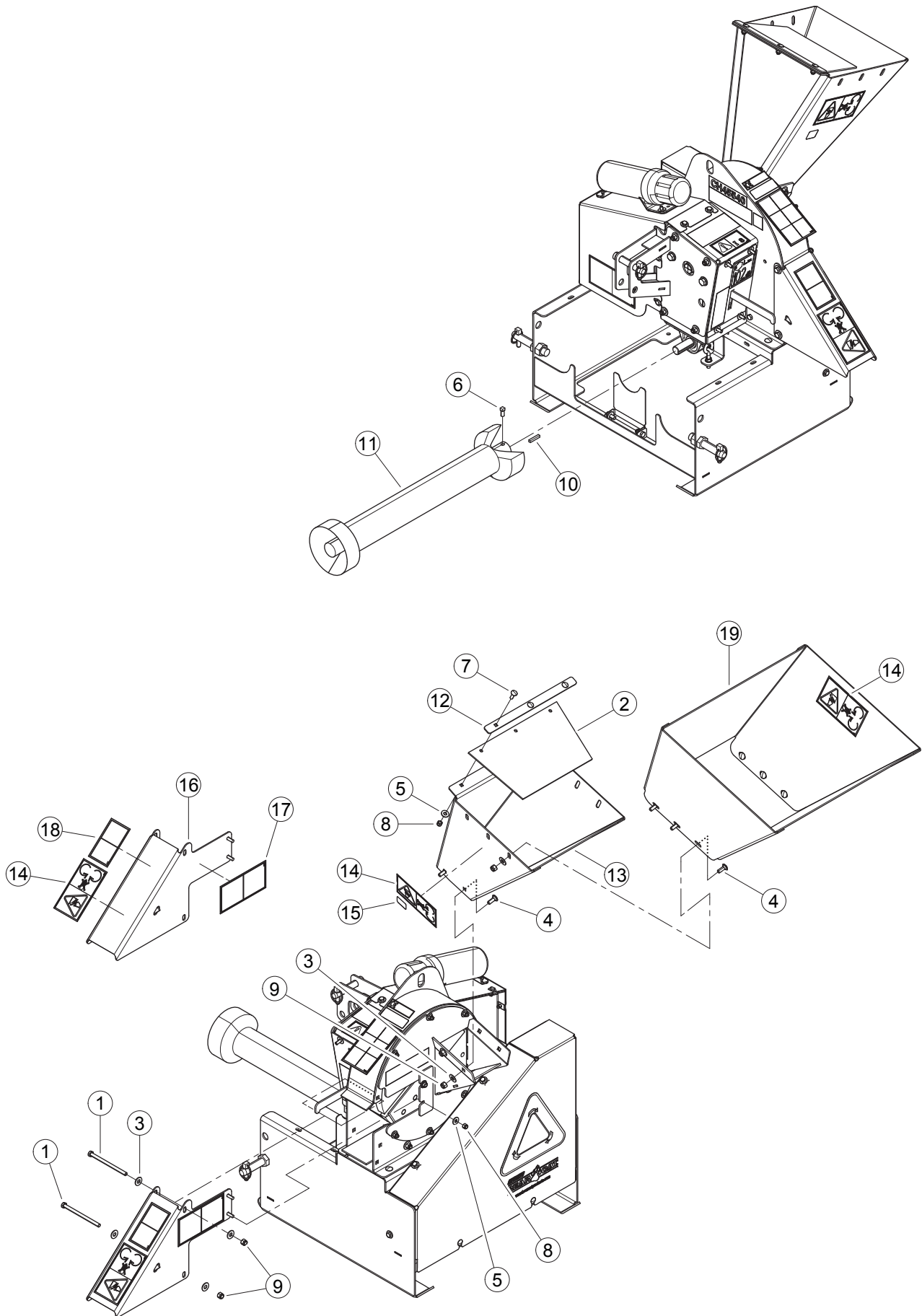
ITEM	PART NUMBER	DESCRIPTION
1	12174	DECAL, SHIELD DANGER ISO
2	12275	FITTING, 1/4 SELF-TAP GREASE
3	14635-00	SPACER, 0.5 X 1.00
4	14636-00	ROLLER, 0.5 X 1.00 X 1.00 NYLON
5	15006	BOLT, 3/8 X 1 HEX HD GR5 ZP
6	15010	BOLT, 3/8 X 3-1/2 HEX HD GR5 ZP
7	15031	WASHER, 3/8 FLAT ZP
8	15051	NUT, 3/8 SERR FLANGE NC ZP
9	15136	BOLT, 5/16 X 3-1/4 HEX HD GR5
10	15250	WASHER, 5/16 FLAT ZP
11	15272	BOLT, 3/8 X 4 HEX HD GR5 NC ZP
12	15356	NUT, 5/16 NE NYLOCK ZP
13	15388	NUT, 3/8 NE NYLOCK ZP
14	15403	BOLT, 5/16-18 X 1-3/4 HEX HD GR5 ZP
15	15509	WASHER, 3/8 NYLON .062 TH FLAT
16	15756-00	BOLT, 3/8 X 3-3/4 HEX HD GR5 ZP
17	16319	PULLEY, 3-1/4 FLAT IDLER
18	17416	EYE BOLT G-2, 3/8 X 2 ZP
19	17692	SPRING, 3/4"OD EXTENSION
20	41158	BUSHING
21	69239	SPACER IDLER PIVOT
22	71944	SPACER, .63 X 2.44
23	74948-12	BRACKET, IDLER
24	74949-12	LEVER, ENGAGEMENT
25	74991-00	SPACER, .63 X 1.035
26	74992-00	SPACER, .63 X .515
27	74993-00	SPACER, .63 X 1.560
28	75040-12	WELDMENT, IDLER
29	75042-00	SPACER, .63 X 2.880



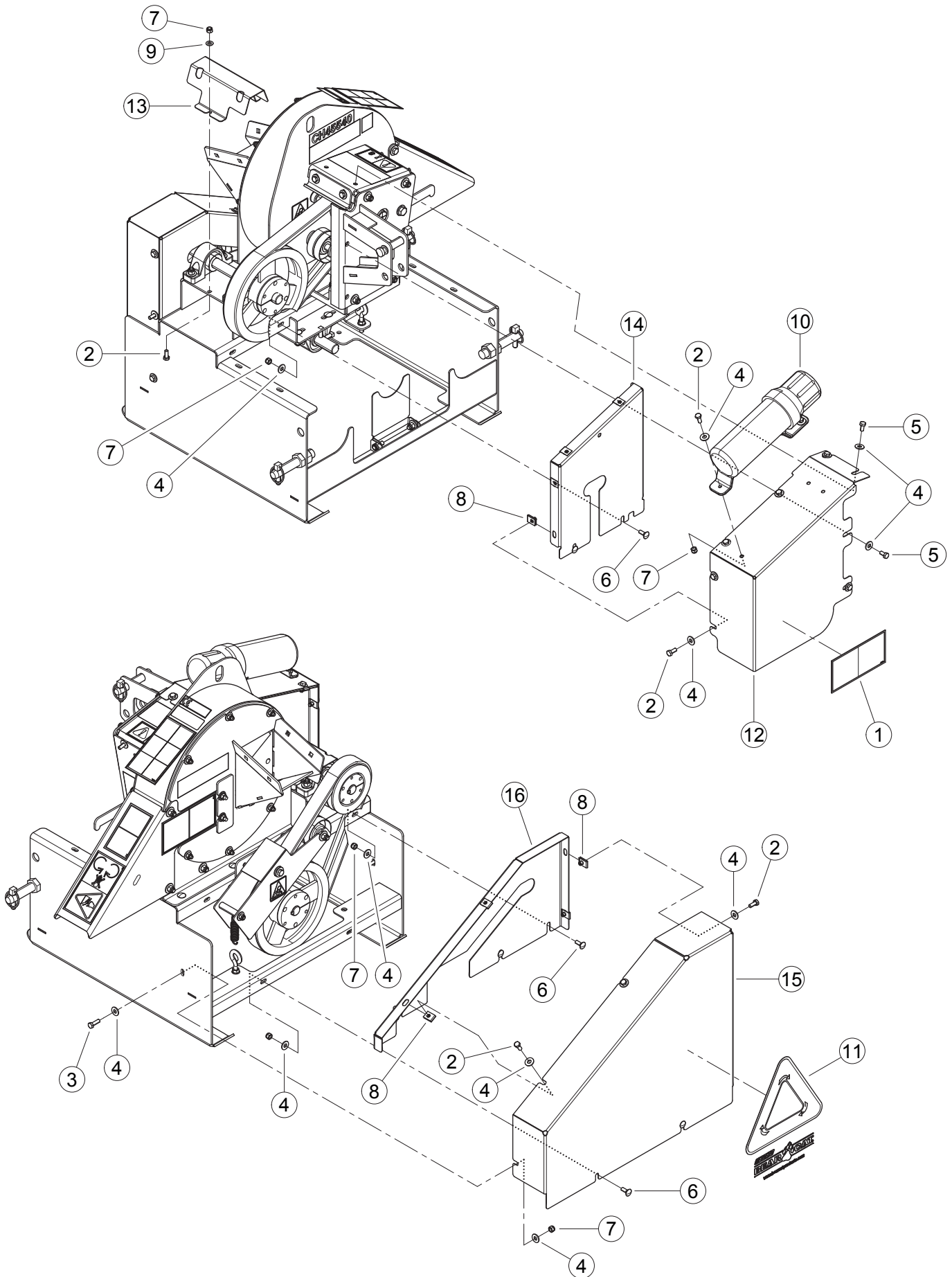
ITEM	PART NUMBER	DESCRIPTION
1	12145	SHEAVE, 2B4.8 SDS
2	15031	WASHER, 3/8 FLAT ZP
3	15058	BOLT, 3/8 X 1-1/2 CRG GR5 NC ZP
4	15388	NUT, 3/8 NE NYLOCK ZP
5	15391	KEY, 1/4 SQUARE X 2 LONG PLAIN
6	16083	BUSHING, 1" SK
7	16323	SHEAVE, 2B9.4 SK
8	16458	BUSHING, SDS 1"
9	17667	PILLOW BLOCK BEARING 1"
10	18093-00	BELT, 2RB47
11	74939-00	JACKSHAFT, CHIPPER



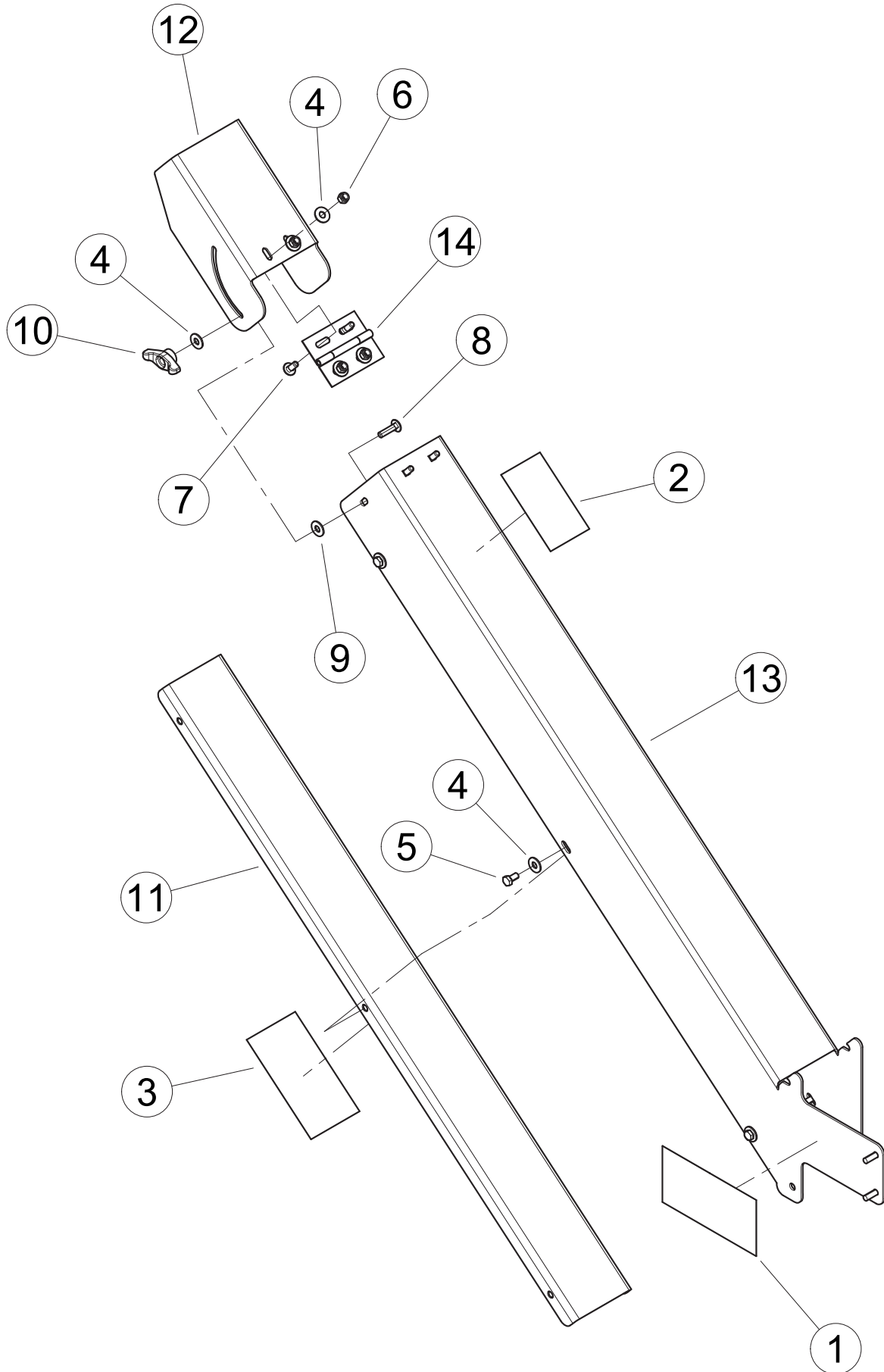
ITEM	PART NUMBER	DESCRIPTION
1	12145	SHEAVE, 2B4.8 SDS
2	14768-00	SNAP RING, 1-1/4 EXT. HEAVY DUTY
3	14769-00	BUSHING, SDS 1-1/4"
4	15014	BOLT, 1/2 X 1-1/2 HEX HD GR5 ZP
5	15049	NUT, 1/2 CENTERLOCK GRB ZP
6	15097	WASHER, 1/2 SAE FLAT ZP
7	15157	BOLT, 1/2 X 1-1/2 CRG GR5 ZP
8	15250	WASHER, 5/16 FLAT ZP
9	15300	BOLT, 5/16 X 5/8 HEX HD GR5 ZP
10	15356	NUT, 5/16 NE NYLOCK ZP
11	15391	KEY, 1/4 SQUARE X 2 LONG PLAIN
12	15770-00	WASHER, 5/8 SAE HARDENED
13	15833-00	BOLT, M16 X 2.0 X 30 HEX HD W/PATCH
14	16682	BEARING, 1-1/4" DIA 2 BOLT FLANGE
15	17913	DECAL, ECHO BEARCAT 6.82 X 1.90
16	18061-00	DECAL, ROTATING SHAFT
17	74529-00	ANVIL, CHIPPER
18	77721-35	WELDMENT, DISK COVER
19	75550-00	SHIM, BEARING
20		BLADE, BIG CHIPPER (FOR SERVICE ORDER REPLACEMENT BLADE KIT PN 76295-00)
	76295-00	KIT, 4-1/2 CHIPPER BLADE KIT
21	32839-00	WELDMENT, 4-1/2 PTO DISK



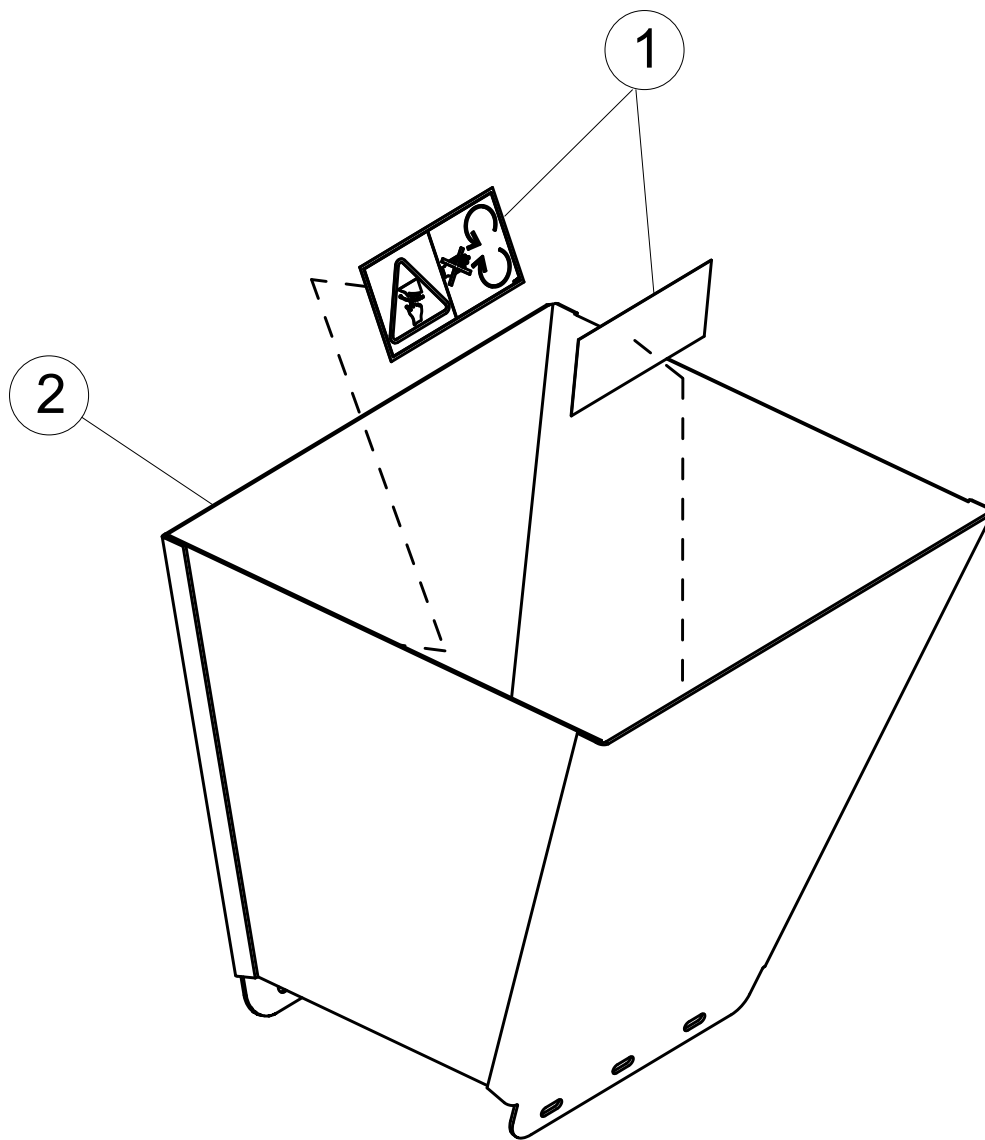
ITEM	PART NUMBER	DESCRIPTION
1	0103-0848-00	BOLT, 3/8 X 5-1/2 HEX HD GR5 ZP
2	14771-00	FLAP, CHIPPER CHUTE
3	15031	WASHER, 3/8 FLAT ZP
4	15057	BOLT, 3/8 X 1 CRG GR5 NC ZP
5	15250	WASHER, 5/16 FLAT ZP
6	15256	SCREW, 3/8 X 3/4 SQ HD SET ZP
7	15301	BOLT, 5/16 X 1 CRG GR5 ZP
8	15356	NUT, 5/16 NE NYLOCK ZP
9	15388	NUT, 3/8 NE NYLOCK ZP
10	15418	KEY, 1/4 SQUARE X 1-1/2 LONG PLAIN
11	36407-00	DRIVESHAFT, 540 C/S WS
12	74608-12	STRIP, FLAP RETAINER
13	74625-00	ASSEMBLY, HOPPER, SERVICE PART (INCLUDES ITEMS 14 & 15)
14	12175	DECAL, BLADE DANGER ISO
15	16753	DECAL, CE APPROVAL
16	74670-00	ASSEMBLY, DISCHARGE CAP, SERVICE PART (INCLUDES ITEMS 14, 17 & 18)
17	12169	DECAL, KNIFE ACCESS ISO
18	12173	DECAL, DISCHARGE ISO
19	74671-00	ASSEMBLY, CE COMPLIANT CHUTE EXT., SERVICE PART (INCLUDES ITEM 14)



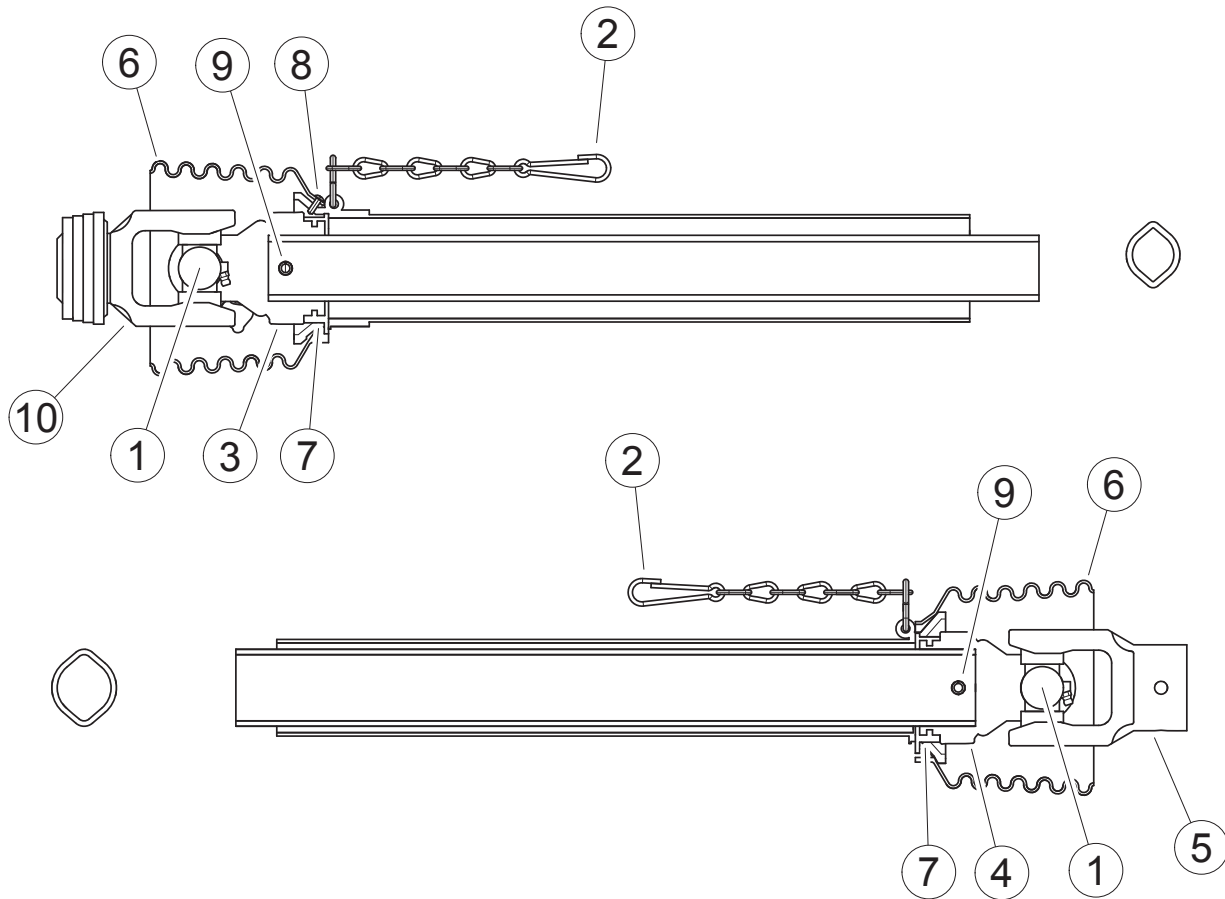
ITEM	PART NUMBER	DESCRIPTION
1	12168	DECAL, PTO DANGER ISO
2	15003	BOLT, 5/16 X 3/4 HEX HD GR5 ZP
3	15219	BOLT, 5/16 X 1 HEX HD GR5 NC ZP
4	15250	WASHER, 5/16 FLAT ZP
5	15300	BOLT, 5/16 X 5/8 HEX HD GR5 ZP
6	15349	BOLT, 5/16 X 7/8 CRG GR5 NC ZP
7	15356	NUT, 5/16 NE NYLOCK ZP
8	15402	NUT 5/16-18 TINNERMAN U-TYPE
9	15416	WASHER, 5/16 SAE FLAT ZP
10	18008-00	CONTAINER, MANUAL
11	31477-00	DECAL, CHIP IT LARGE
12	74982-12	SHIELD, FRONT BELT
13	74983-12	SHIELD, JACKSHAFT
14	74984-12	SHIELD, BACK BELT
15	74985-12	SHIELD, FORWARD BELT
16	74986-12	SHIELD, REAR BELT



4-1/2" DISCHARGE KIT, 74634-00			
ITEM	PART NUMBER	DESCRIPTION	QTY
1	12169	DECAL, KNIFE ACCESS ISO	1
2	12173	DECAL, DISCHARGE ISO	1
3	12175	DECAL, BLADE DANGER ISO	1
4	15250	WASHER, 5/16 FLAT ZP	11
5	15300	BOLT, 5/16 X 5/8 HEX HD GR5 ZP	6
6	15356	NUT, 5/16 NE NYLOCK ZP	4
7	15367	BOLT, 5/16 X 3/4 CRG GR5 NC ZP	4
8	15398	BOLT, 5/16 X 1-1/4 CRG GR5 ZP	1
9	15409	WASHER, 5/16"ID 7/8"OD NYLON FLAT	1
10	31994-00	KNOB, 5/16-18 UNC TEE W/LOCKING INSERT	1
11	74566-12	WELDMENT, TOP DISCHARGE CHUTE	1
12	74569-12	CAP, DISCHARGE	1
13	74609-12	WELDMENT, CHIPPER DISCHARGE	1
14	74642-12	HINGE, DISCHARGE CAP	1



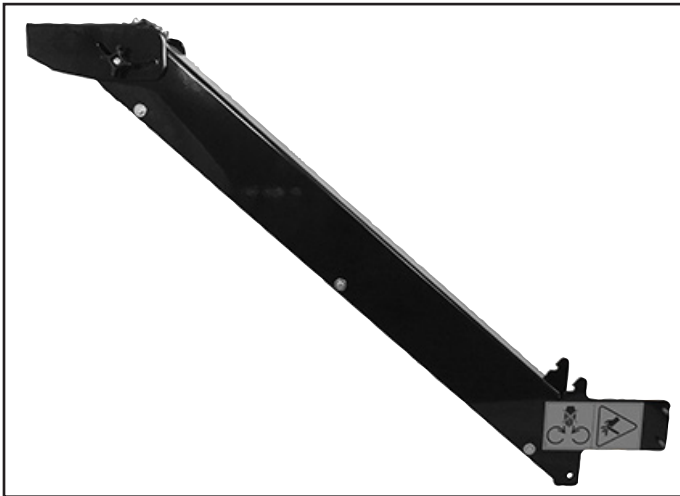
74671-00, EXTENSION CHUTE			
ITEM	PART NUMBER	DESCRIPTION	QTY
1	12175	DECAL, INLET AND DISCHARGE	2
2	74671-00	ASSEMBLY, CE COMPLIANT CHUTE EXTENSION, SERVICE PART (INCLUDES ITEM 1)	1



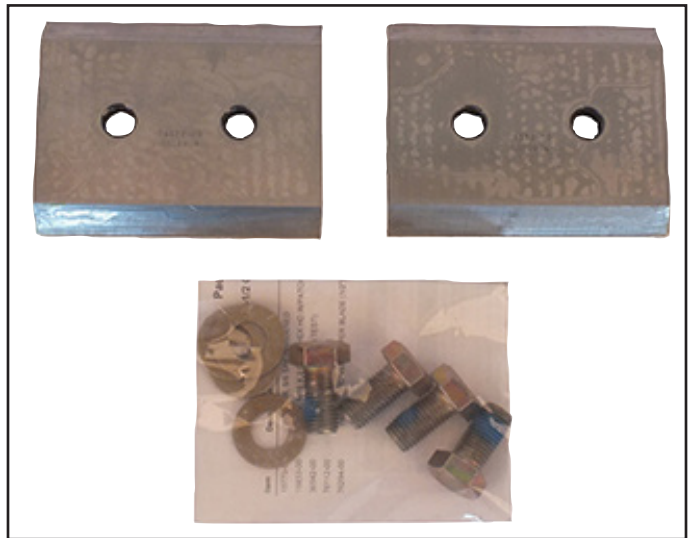
PTO DRIVESHAFT, PN 36407

ITEM	PART NUMBER	DESCRIPTION
1	0883-0120-00	KIT, CROSS & BEARING W-2400
2	12209	CHAIN, SAFETY
3	12215	YOKE, INBOARD 1B
4	12218	YOKE, INBOARD 2A
5	12219	YOKE, 1-1/2" RND
6	12220	CONE, 6 RIB SAFETY
7	12223	RING, SC25 BEARING
8	15574	SCREW, WS365305
9	15575	PIN, M10 X 80 SPRING
10	32245-00	YOKE, 1-3/8-6 SPLINGE ASGE
	12210	DECAL, OUT (NOT SHOWN)
	12211	DECAL, IN (NOT SHOWN)
	32248-00	COLLAR, REINFORCING (NOT SHOWN)
	32250-00	DECAL, CE MARK (NOT SHOWN)
	32251-00	DECAL, EUROPEAN

SERVICE PARTS & OPTIONS	
PART NUMBER	DESCRIPTION
76295-00	CHIPPER BLADE KIT
74634-00	OPTIONAL 4" DISCHARGE TUBE KIT



OPTIONAL 4" DISCHARGE TUBE KIT, 74634-00



CHIPPER BLADE KIT, 76295-00



ECHO BEAR CAT

www.bearcatproducts.com

237 NW 12th Street, West Fargo, ND 58078-0849

Phone: 701.282.5520 • Toll Free: 888.645.4520 • Fax: 701.282.9522

E-mail: service@bearcatproducts.com • sales@bearcatproducts.com