



www.bearcatproducts.com

3 INCH CHIPPER/SHREDDER

SC3206 - 205cc B&S

SC3265 - 265cc SUBARU

SC3305 - 305cc B&S

SC3305E - 305cc Electric Start B&S

SC3342 - 342cc B&S

PARTS MANUAL



Manual P/N: 14849-00
Rev. 010113
Companion to P/N: 14846-00
SN Range: D00339 - Current

Before You Begin

DEAR ECHO BEAR CAT CUSTOMER

Thank you for purchasing a ECHO Bear Cat product. The ECHO Bear Cat line is designed, tested, and manufactured to give years of dependable performance. To keep your machine operating at peak efficiency, it is necessary to adjust it correctly and make regular inspections. The following pages will assist you in the operation and maintenance of your machine. Please read and understand this manual before operating your machine.

If you have any questions or comments about this manual, please call us toll-free at 1.888.645.4520.

If you have any questions or problems with your machine, please call or write your local authorized ECHO Bear Cat Dealer.

This document is based on information available at the time of its publication. ECHO Bear Cat is continually making improvements and developing new equipment. In doing so, we reserve the right to make changes or add improvements to our product without obligation for equipment previously sold.

PLEASE SEND US YOUR WARRANTY CARD

A warranty card is included in your owner's kit packaged with your machine. Please take the time to fill in the information requested on the card. When you send your completed card to us, we will register your machine and start your coverage under our limited warranty or go to bearcatproducts.com/warranty/warranty-registration/.

FOR MACHINE SERVICE OR PARTS:

For service assistance, contact your nearest authorized ECHO Bear Cat dealer or the factory. For parts, contact your authorized dealer. The parts manual for your machine is available at <http://bearcatproducts.com/main/support/index.html>. Your dealer will need to know the identification number of your machine to provide the most efficient service. See below for information on how to identify and record the identification number for your machine.

FOR ENGINE SERVICE OR PARTS:

For engine service or parts, contact your nearest authorized engine dealer. ECHO Bear Cat does not handle any parts, repairs or warranties for engines.

ORDERING PARTS

Only genuine ECHO Bear Cat replacement parts should be used to repair the machine. Replacement parts manufactured by others could present safety hazards, even though they may fit on this machine. Replacement parts are available from your ECHO Bear Cat dealer.

Provide the following when ordering parts:

- The SERIAL NUMBER OR VIN of your machine.
 - The PART NUMBER of the part.
 - The PART DESCRIPTION.
 - The QUANTITY needed.
-

IDENTIFICATION NUMBER LOCATION

Your machine will have either a serial number or vehicle identification number (VIN). VINs are located on the left side of the trailer frame near the hitch. They are 17-digit numbers of the format: 5VJAA001XXWXXXXXX. Serial numbers are located on the machine body. They are 6-digit numbers.

Record your identification number in the space provided and on the warranty registration card.

SERIAL NUMBER OR VIN

HOW TO CONTACT ECHO BEAR CAT

ADDRESS	PHONE	E-MAIL	HOURS
237 NW 12th Street P.O. Box 849 West Fargo, ND 58078	888.645.4520 701.282.5520 FAX: 701.282.9522	sales@bearcatproducts.com service@bearcatproducts.com	Monday - Friday, 8 am to 5 pm Central Time

Is my machine CE Compliant?



The CE marking (also known as the “CE mark”) is a mandatory compliance mark on products sold internationally where CE standards are enforced and in the European Economic Area (EEA). The CE marking certifies that a product has met European Union (EU) consumer safety, health or environmental requirements. By affixing the CE marking to our products, Echo Bear Cat declares that it meets EU safety, health and environmental requirements.



Echo Bear Cat products that are CE compliant will be clearly marked with an identifying “CE” decal. These products feature safety and other engineering features that non-CE compliant products do not have. Non-CE compliant Echo Bear Cat products are primarily sold in countries and regions that do not require or enforce mandatory CE certification. However, this is not true for all countries and regions. If you are unsure of CE requirements for the country or region in which you live, please contact your nearest Echo Bear Cat dealer or distributor.

Other CE Model Identifying Decals



Echo Bear Cat products that are CE compliant will also be labeled with a decibal level warning decal. This decal notes the decibal level of noise created while the machine is operating under normal conditions.



Machine Mass: XXX kg (XXX lb)
Nominal Power: XX KW (XXX cc)
@ XXXX RPM

CE compliant Echo Bear Cat products will also have a CE compliance information decal detailing weight and power specifications for the specific model on which it is found.

CE Compliant Decal Location

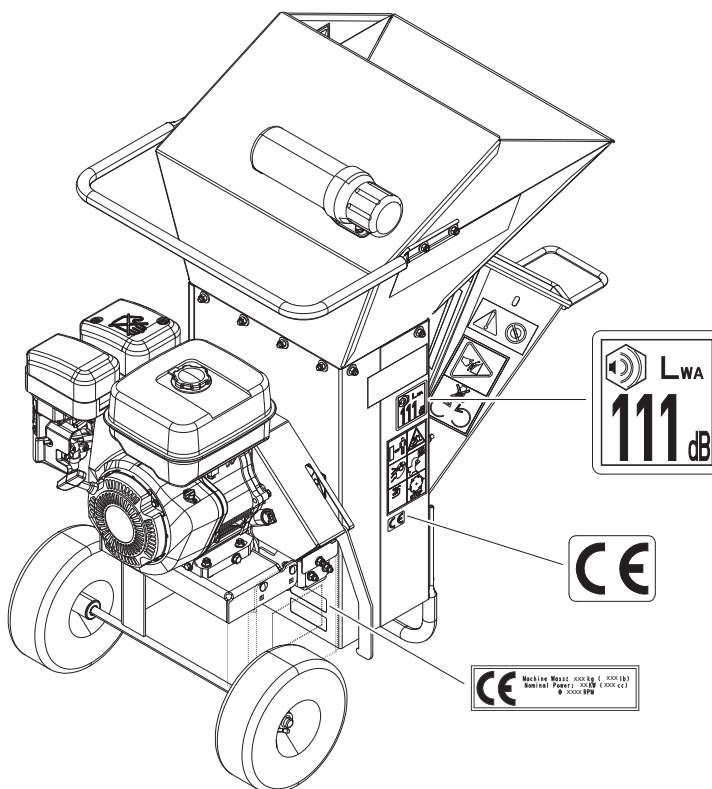
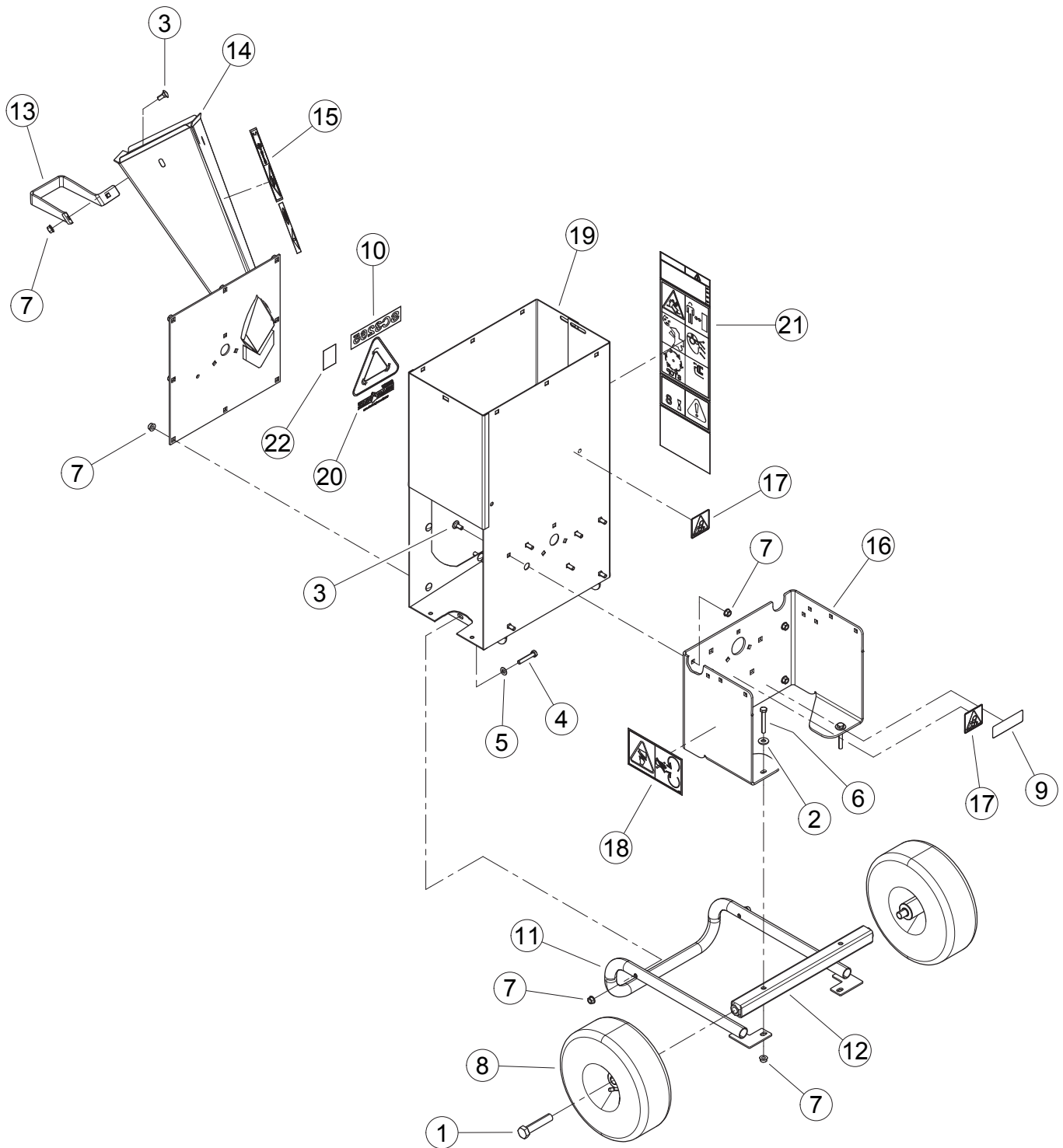


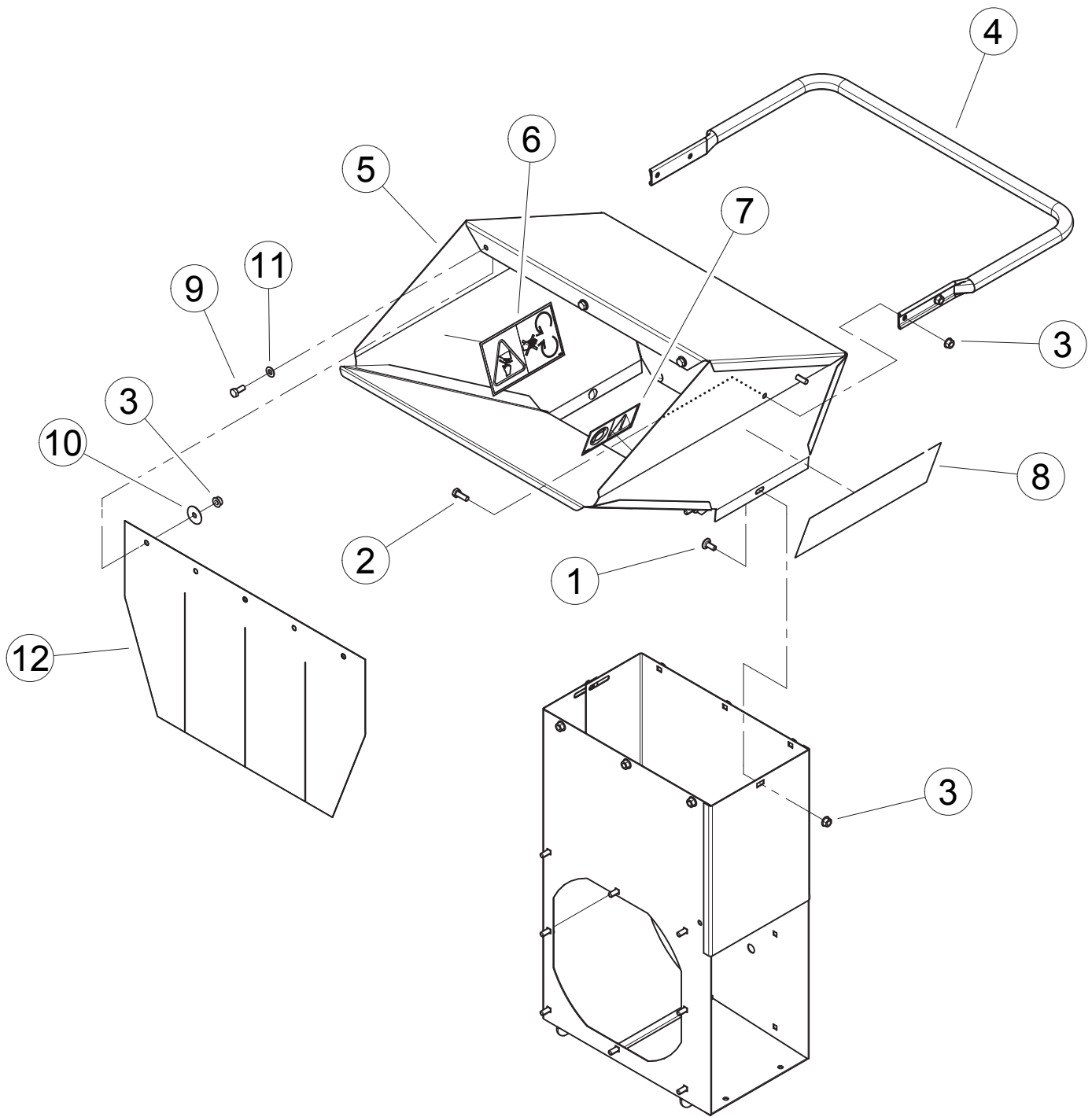
TABLE OF CONTENTS

DESCRIPTION	PAGE
BODY	4
<i>NON-CE COMPLIANT</i>	
HOPPER	6
<i>NON-CE COMPLIANT</i>	
ROTOR & BEARINGS	8
<i>NON-CE COMPLIANT</i>	
ENGINE - SINGLE BELT	10
<i>SC3206, SC3305, SC3305E</i>	
IDLER - SINGLE BELT	12
<i>SC3206, SC3305, SC3305E</i>	
ENGINE - DOUBLE BELT	14
<i>SC3265 & SC3342</i>	
IDLER - DOUBLE BELT	16
<i>SC3265 & SC3342</i>	
BODY	18
<i>CE COMPLIANT</i>	
HOPPER	20
<i>CE COMPLIANT</i>	
ROTOR & BEARINGS	22
<i>CE COMPLIANT</i>	
DISCHARGE DOOR	24
<i>NON-CE COMPLIANT</i>	
DISCHARGE ASSEMBLY	24
<i>CE COMPLIANT</i>	
<i>CE COMPLIANT MODELS ONLY</i>	
CHUTE EXTENSION	25
OPTIONAL TRAILER	26
SERVICE PARTS & ACCESSORIES	28

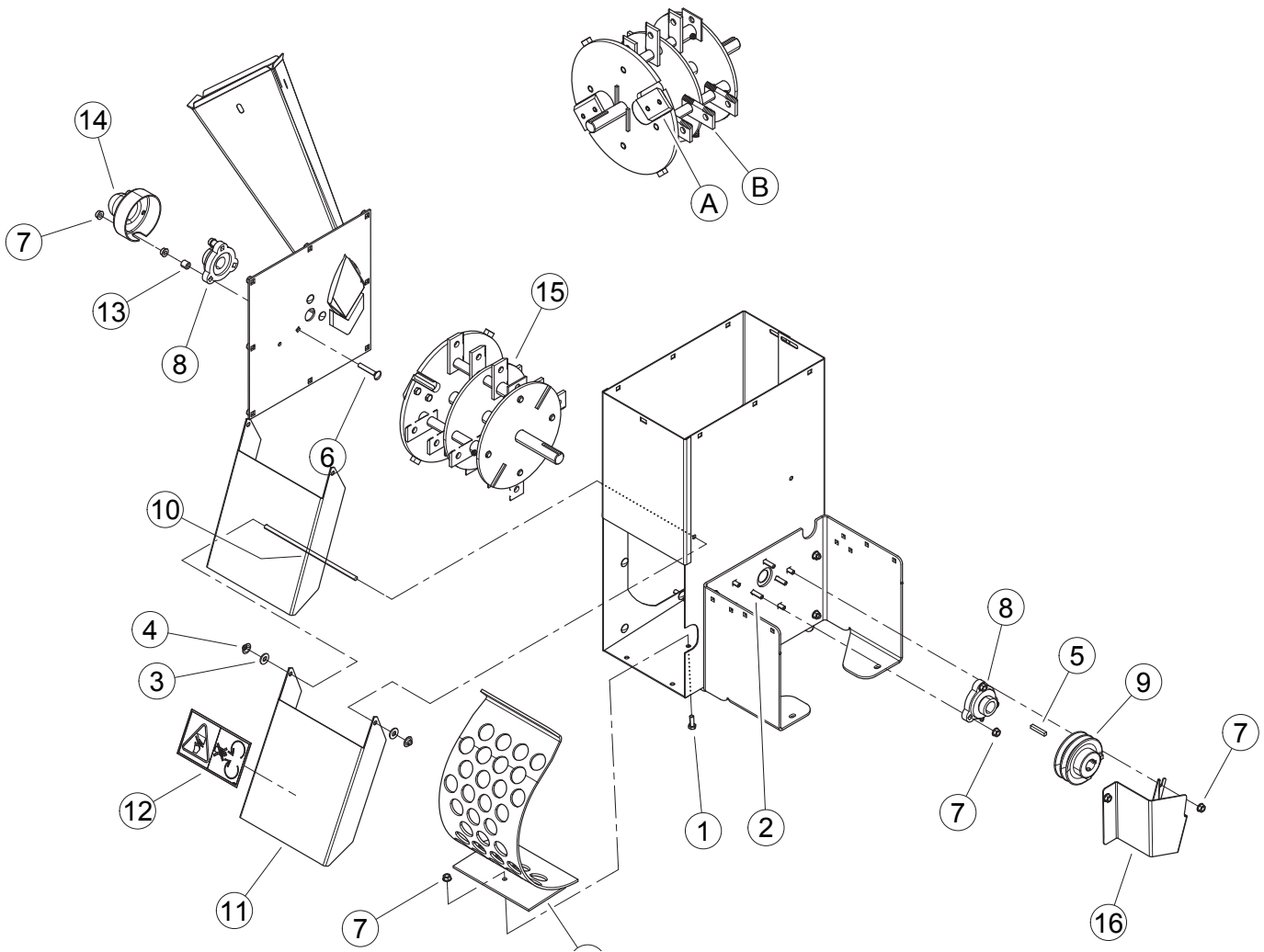
THIS PAGE INTENTIONALLY LEFT BLANK



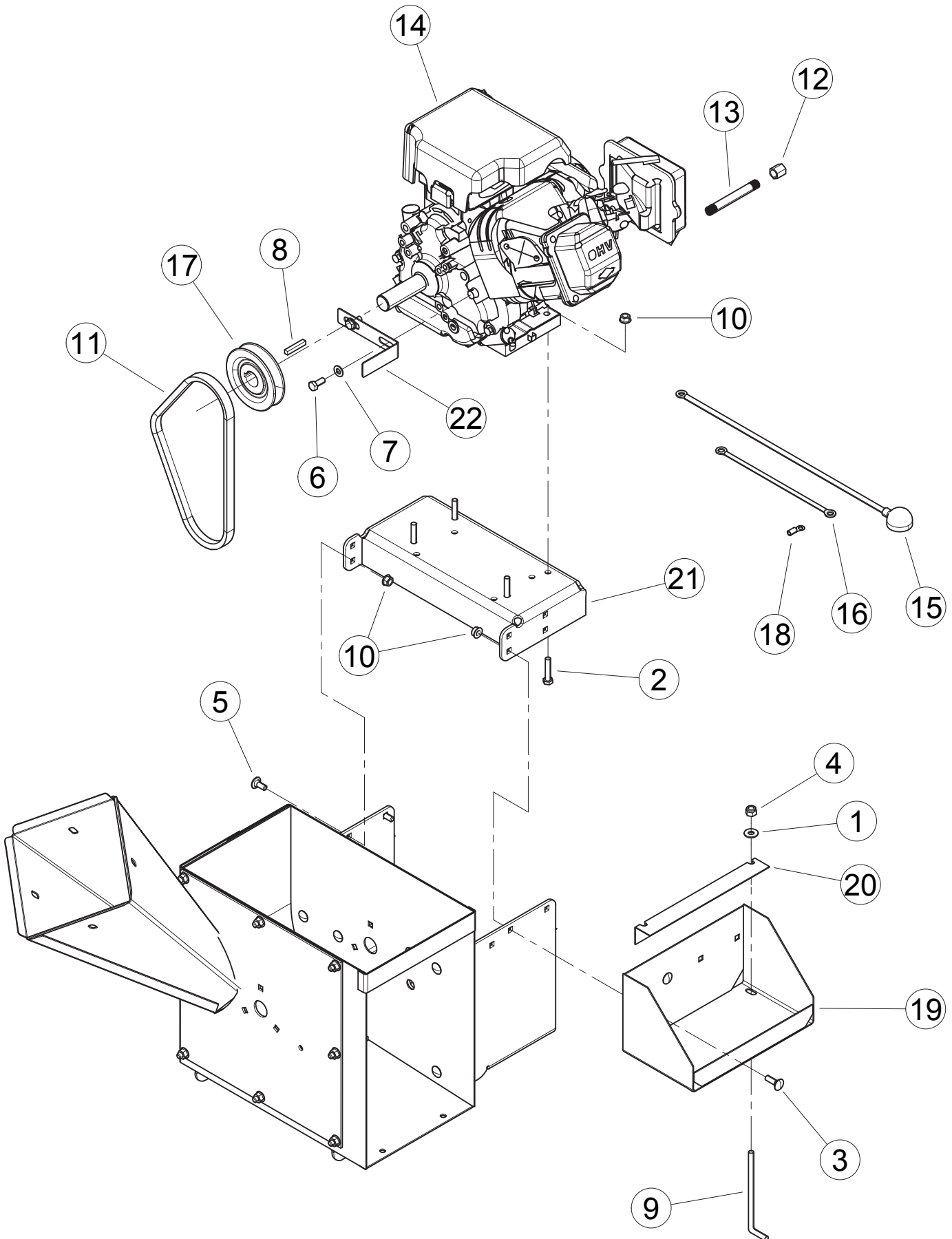
ITEM	PART NUMBER	DESCRIPTION
1	15019	BOLT, 5/8 X 3 HEX HD GR5 ZP
2	15250	WASHER, 5/16 FLAT ZP
3	15367	BOLT, 5/16 X 3/4 CRG GR5 NC ZP
4	15403	BOLT, 5/16-18 X 1-3/4 HEX HD GR5 ZP
5	15416	WASHER, 5/16 SAE FLAT ZP
6	15754-00	BOLT, 5/16-18 X 2-1/4 HEX HD GR5
7	15818-00	NUT, 5/16 FLANGE TOPLOCK
8	16003	WHEEL ASSY, 410/350-4
9	16155	DECAL, SERIAL NUMBER
10	36022-00	DECAL, MODEL SC3206
	31457-00	DECAL, MODEL SC3265
	18939-00	DECAL, MODEL SC3305
	36023-00	DECAL, MODEL SC3305E
	36026-00	DECAL, MODEL SC3342
11	77251-12	WELDMENT, SUPPORT LEG LONG
	77252-12	WELDMENT, SUPPORT LEG SHORT (SC3206 ONLY)
12	77254-12	WELDMENT, AXLE 3" CHIPPER
13	77285-35	HANDLE, CHIPPER CHUTE 3"
14	77299-00	ASSEMBLY, 3" FRONT PLATE, SERVICE PART (INCLUDES ITEM 15)
15	31989-00	DECAL, 3" CHIPPER CHUTE
16	77339-00	ASSEMBLY, 3" CHIPPER BASE, SERVICE PART (INCLUDES ITEM 17 & 18)
17	12174	DECAL, SHIELD DANGER ISO
18	12175	DECAL, BLADE DANGER ISO
19	77341-00	ASSEMBLY, 3" WIDE BODY, SERVICE PART (INCLUDES ITEMS 17, 20 & 21)
	77300-00	ASSEMBLY, 3" NARROW BODY, SERVICE PART (INCLUDES ITEMS 10, 17, 20 & 21) - SC3206 ONLY
20	31393-00	DECAL, SHRED IT
21	31990-00	DECAL, 3" CHIPPER BODY SIDE
22	32392-00	DECAL, ECHO BEARCAT SERVICE QR CODE



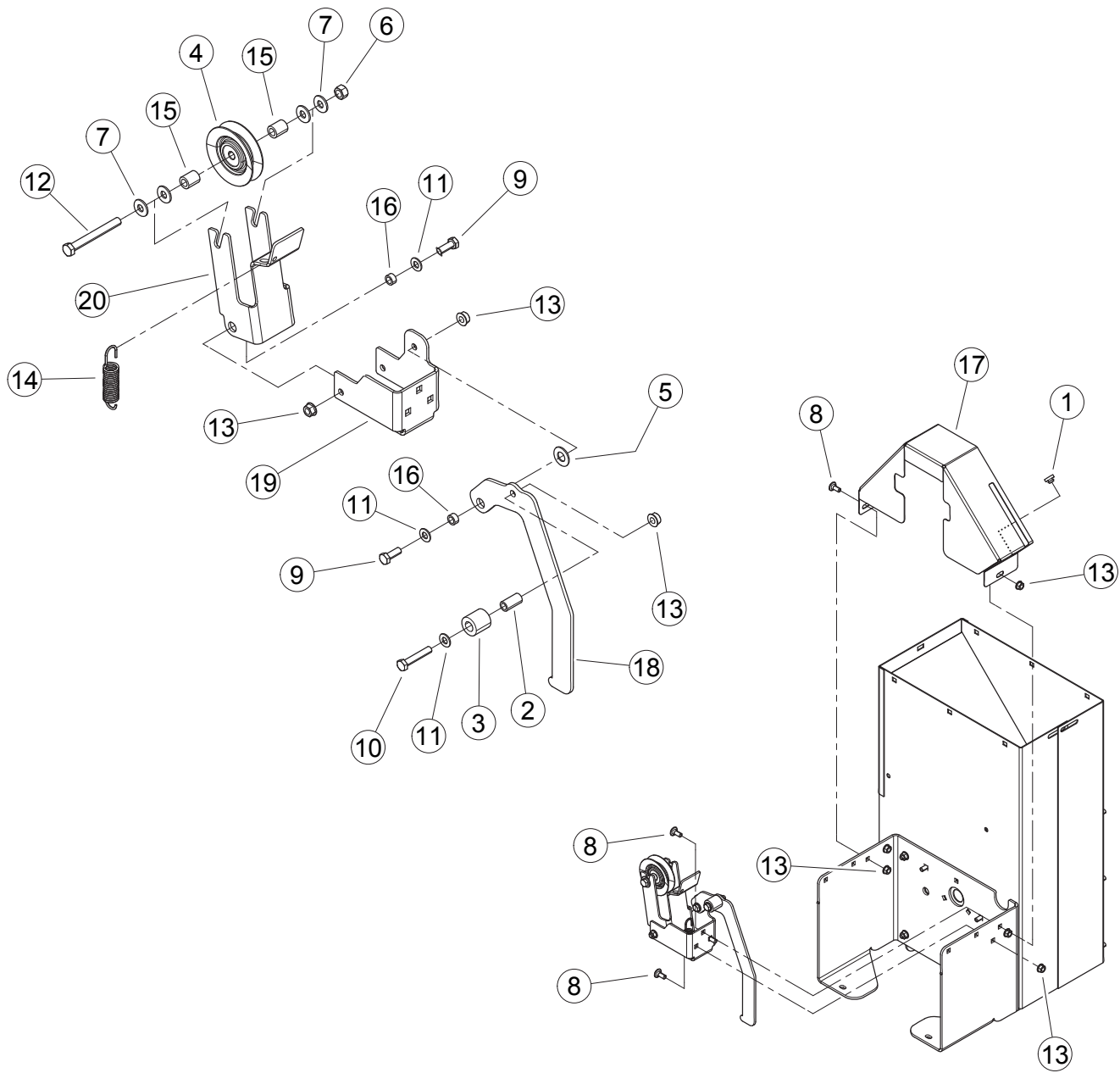
ITEM	PART NUMBER	DESCRIPTION
1	0103-0909-00	BOLT, 5/16-18 X 3/4 CRG GR5 SN
2	15396	BOLT, 5/16 X 7/8 HEX HD NC GR5 ZP
3	15818-00	NUT, 5/16 FLANGE TOPLOCK
4	71717	HANDLE, RENTAL HOPPER
5	77312-00	ASSEMBLY, WIDE BODY HOPPER (INCLUDES ITEMS 3 & 6 - 12)
	77274-00	ASSEMBLY, NAR. BODY HOPPER (INCLUDES ITEMS 3 & 6 - 12) - SC3206 ONLY
6	12175	DECAL, BLADE DANGER ISO
7	12176	DECAL, SHREDDER SIZE ISO
8	14301-00	DECAL, ECHO BEARCAT 12.00 X 4.00
9	15003	BOLT, 5/16 X 3/4 HEX HD GR5 ZP
10	15040	WASHER, 5/16 FENDER ZP
11	15416	WASHER, 5/16 SAE FLAT ZP
12	70980	BELTING, HOPPER



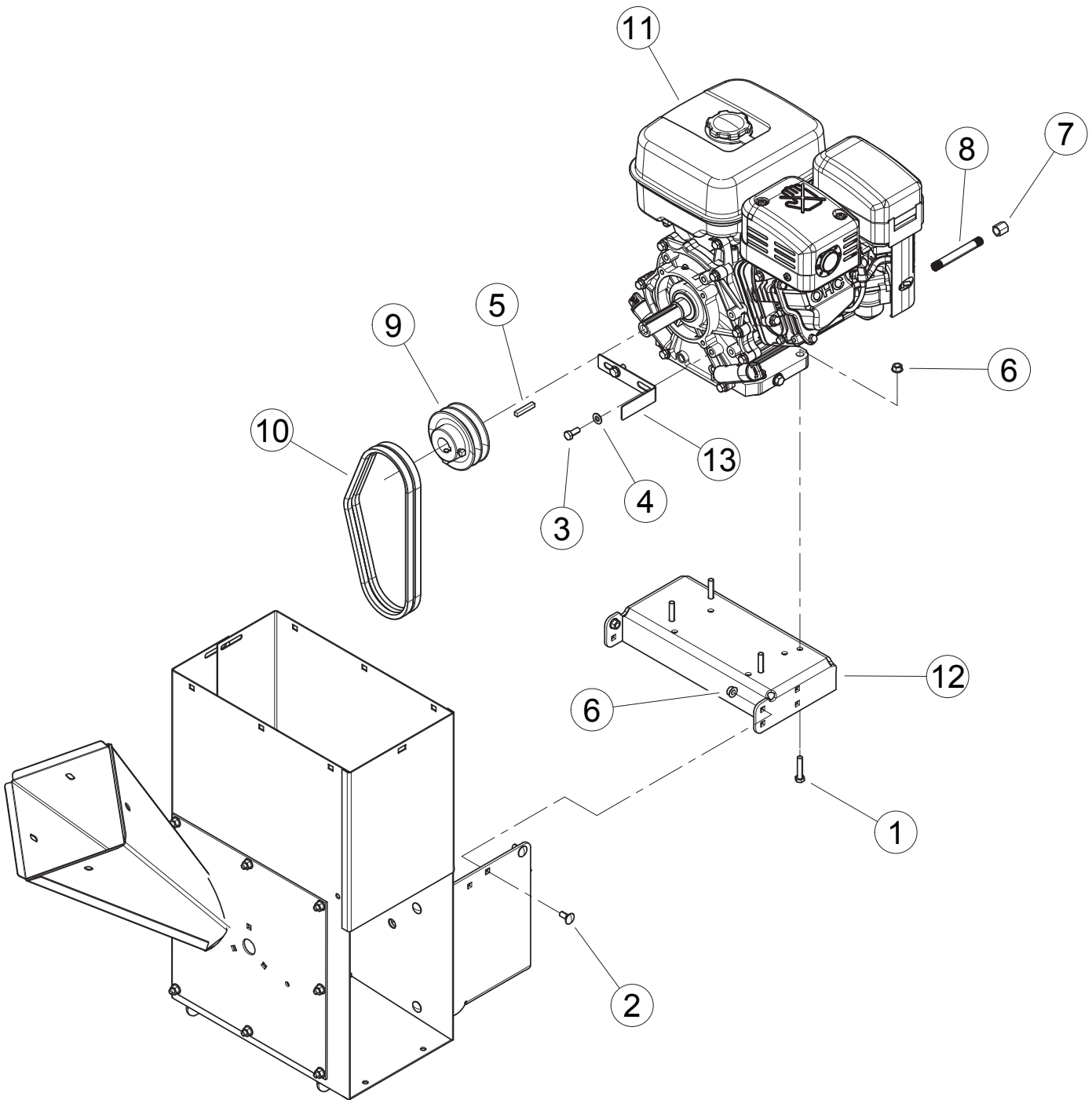
ITEM	PART NUMBER	DESCRIPTION
1	15396	BOLT, 5/16 X 7/8 HEX HD NC GR5 ZP
2	15398	BOLT, 5/16 X 1-1/4 CRG GR5 ZP
3	15409	WASHER, 5/16 ID X 7/8 OD NYLON FLAT
4	15411	PUSHNUT, 5/16 ZP
5	15418	KEY, 1/4 SQUARE X 1-1/2 LONG PLAIN
6	15477	BOLT, 5/16 X 2 CRG GR5 NC ZP
7	15818-00	NUT, 5/16 FLANGE TOPLOCK
8	16234	BEARING, 1" FLUSHMOUNT CAST W/COLLAR
9	17995	PULLEY, 4X1 2A GROOVE
	17958	PULLEY, CAST 4" OD, 1" BORE, B GRV (SC3206 ONLY)
10	70088	SHAFT, DOOR PIVOT
11	70195	DOOR, 8 HP DISCHARGE, SERVICE PART (INCLUDES ITEM 12)
	70194	DOOR, 5 HP DISCHARGE, SERVICE PART (INCLUDES ITEM 12) - SC3206 ONLY
12	12175	DECAL, BLADE DANGER ISO
13	70285	SPACER .54 OD X .50 LG
14	70760	CAP, ROTOR SHAFT END CAP
15	74209-00	ASSEMBLY, ROTOR (INCLUDES SHREDDER KNIVES)
	77591-00	ASSEMBLY, ROTOR (SC3206 ONLY) (INCLUDES SHREDDER KNIVES)
A	70738	KIT, CHIPPER BLADES
B	77589-00	KIT, 3" SHREDDER KNIVES (SC3206 ONLY)
	70973	KIT, 3" SHREDDER KNIVES (ALL WIDE BODY MODELS)
16	74358-12	SHIELD, LOWER
17	77388-12	WELDMENT, COARSE TAPERED (ALL WIDE BODY MODELS)
	77384-12	WELDMENT, COARSE TAPERED (SC3206 ONLY)



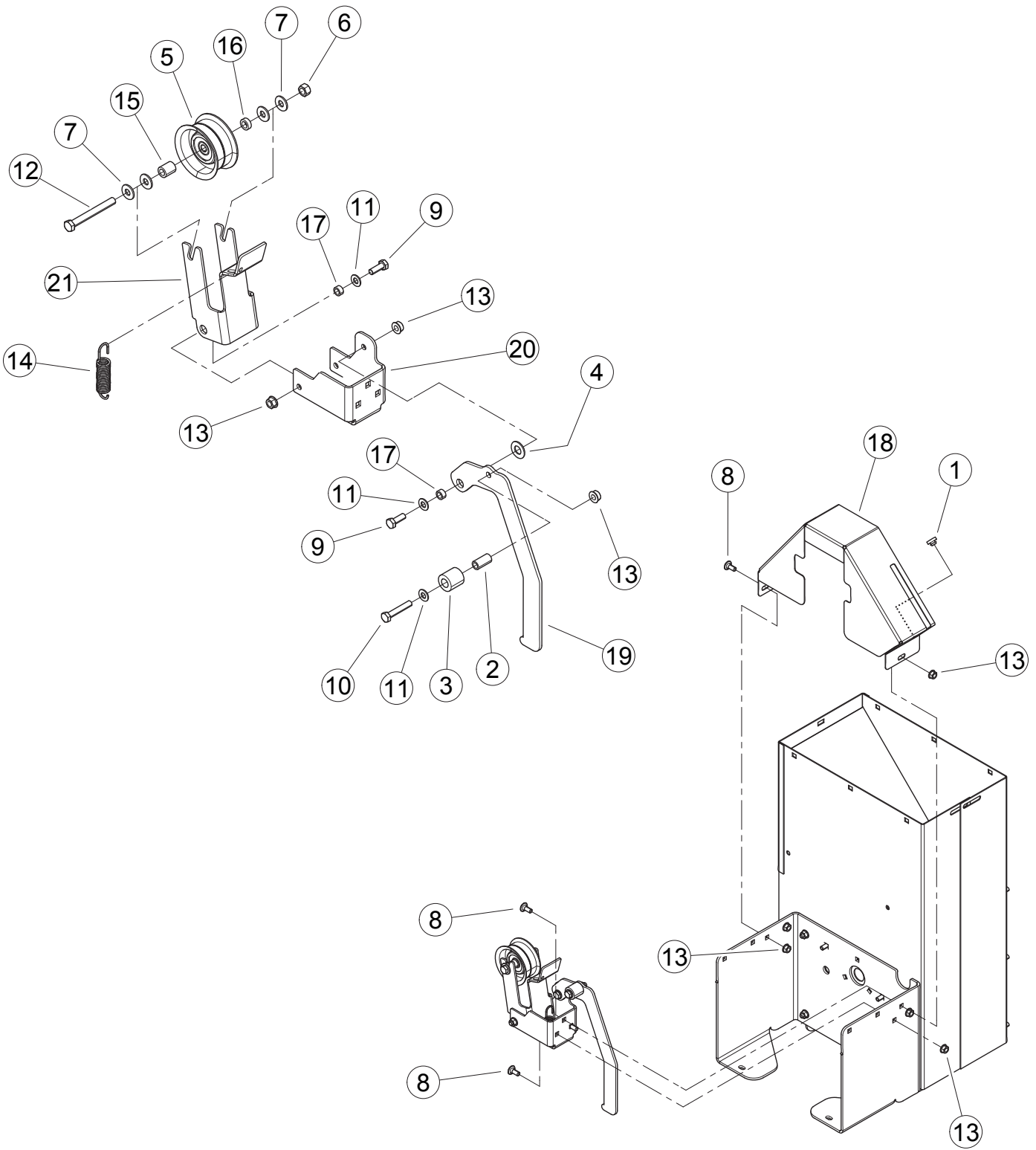
ITEM	PART NUMBER	DESCRIPTION
1	15250	WASHER, 5/16 FLAT ZP (SC3305E ONLY)
2	15282	BOLT, 5/16 X 1_1/2 HEX HD GR5 ZP
3	15301	BOLT, 5/16 X 1 GR5 CRG ZP (SC3305E ONLY)
4	15356	NUT, 5/16 NE NYLOCK ZP (SC3305E ONLY)
5	15367	BOLT, 5/16 X 3/4 CRG GR5 NC ZP
6	15381	BOLT, 5/16-24 X 3/4 HEX HD GR5 ZP
7	15416	WASHER, 5/16 SAE FLAT ZP
8	15418	KEY, 1/4 SQUARE X 1-1/2 LONG PLAIN
9	15419	BOLT, 5/16 X 8-3/4 L-TYP BATTERY (SC3305E ONLY)
10	15818-00	NUT, 5/16 FLANGE TOPLOCK
11	16043	BELT, 29" C/S
12	17496	PIPE CAP, 1/4" GALV. HEX HEAD
13	17497	PIPE NIPPLE, 1/4 X 4 GALVANIZED
14		ENGINE, CHP-SHD 305CC BRIGGS ELEC (FOR SERVICE SEE ENGINE OWNERS MANUAL OR YOUR NEAREST BRIGGS & STRATTON ENGINE DEALER)
		ENGINE, 900 SERIES B+S HORIZONTAL (FOR SERVICE SEE ENGINE OWNERS MANUAL OR YOUR NEAREST BRIGGS & STRATTON ENGINE DEALER)
		ENGINE, 305CC B+S HORIZONTAL (FOR SERVICE SEE ENGINE OWNERS MANUAL OR YOUR NEAREST BRIGGS & STRATTON ENGINE DEALER)
15	17888	CABLE, 33" POS R/R WITH BOOT (SC3305E ONLY)
16	17889	CABLE, 9" NEG R/R (SC3305E ONLY)
17	17958	PULLEY, CAST 4" OD, 1" BORE, B GRV
	17959	PULLEY, CAST 4" OD, 3/4" BORE, B GR (SC3206 ONLY)
	15131	SCREW, 5/16-18 X 5/8 SQ HD SET
18	36230-00	TERMINAL, 14/16 GA ELECTRICAL (SC3305E ONLY)
19	70141	WELDMENT, BATTERY BOX (SC3305E ONLY)
20	70144	ANGLE, BATTERY HOLD DOWN (SC3305E ONLY)
21	74249-12	PLATE, ENGINE MOUNTING
22	74374-12	GUIDE, BELT



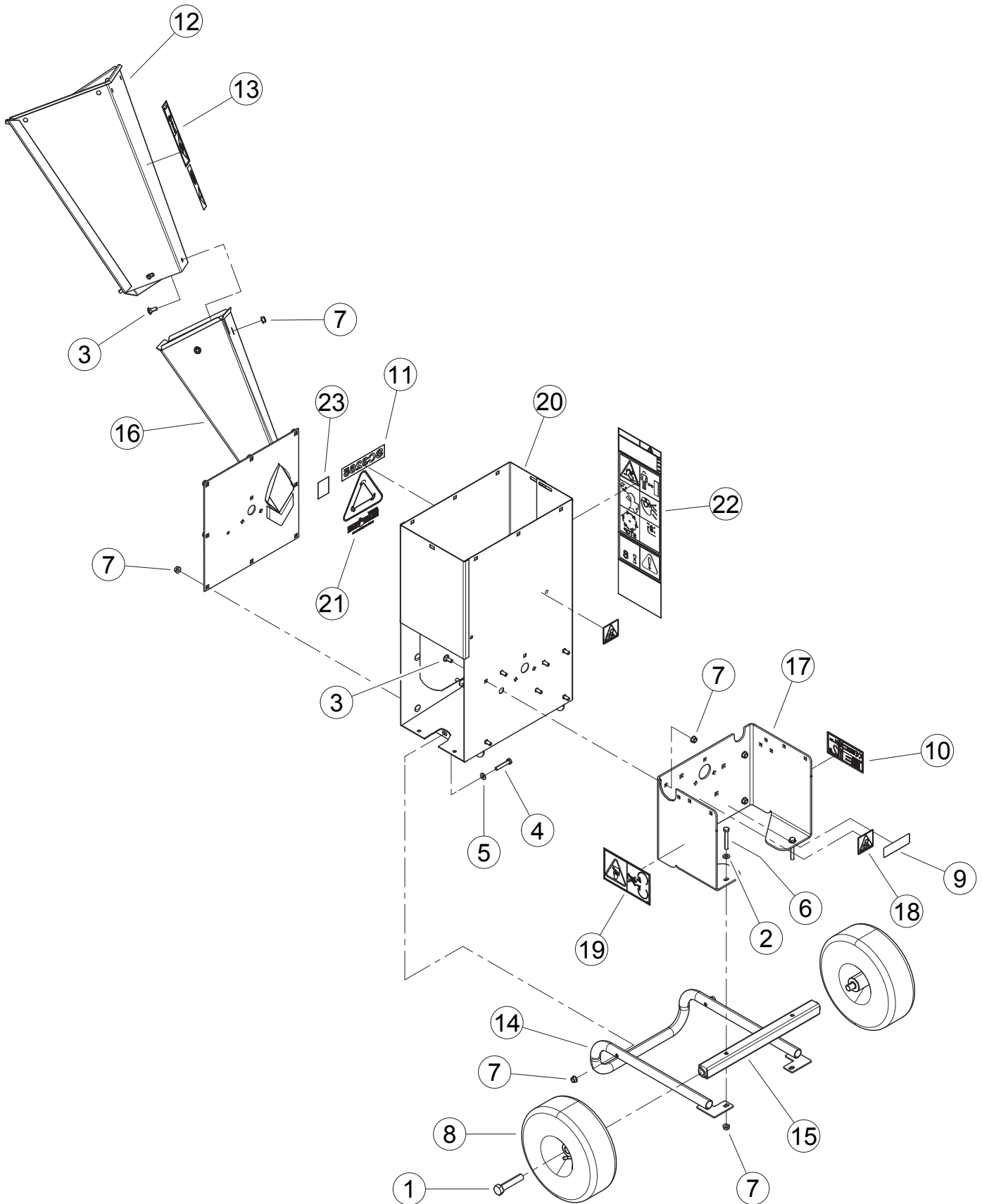
ITEM	PART NUMBER	DESCRIPTION
1	13904-00	BUMPER, RUBBER
2	14635-00	SPACER, 0.5 X 1.00
3	14636-00	ROLLER, 0.5 X 1.00 X 1.00 NYLON
4	14637-00	IDLER, INSIDE
5	14640-00	NYLON WASHER, 1/2 INCH
6	15047	NUT, 3/8 CENTERLOCK ZP
7	15250	WASHER, 5/16 FLAT ZP
8	15367	BOLT, 5/16 X 3/4 CRG GR5 NC ZP
9	15396	BOLT, 5/16 X 7/8 HEX HD NC GR5 ZP
10	15403	BOLT, 5/16-18 X 1-3/4 HEX HD GR5 ZP
11	15416	WASHER, 5/16 SAE FLAT ZP
12	15501	BOLT, 3/8 X 3-1/4 HEX HD GR5 ZP
13	15818-00	NUT, 5/16 FLANGE TOPLOCK
14	17692	SPRING, 3/4"OD EXTENSION
15	62531	SPACER, 3/4" LONG IDLER TUBE
16	73063	SPACER, .50 X .25
17	74357-12	SHIELD, UPPER
18	74362-12	HANDLE, ENGAGEMENT
19	77281-12	MOUNT, IDLER BRACKET
20	77282-12	BRACKET, IDLER 3 IN CHIPPER



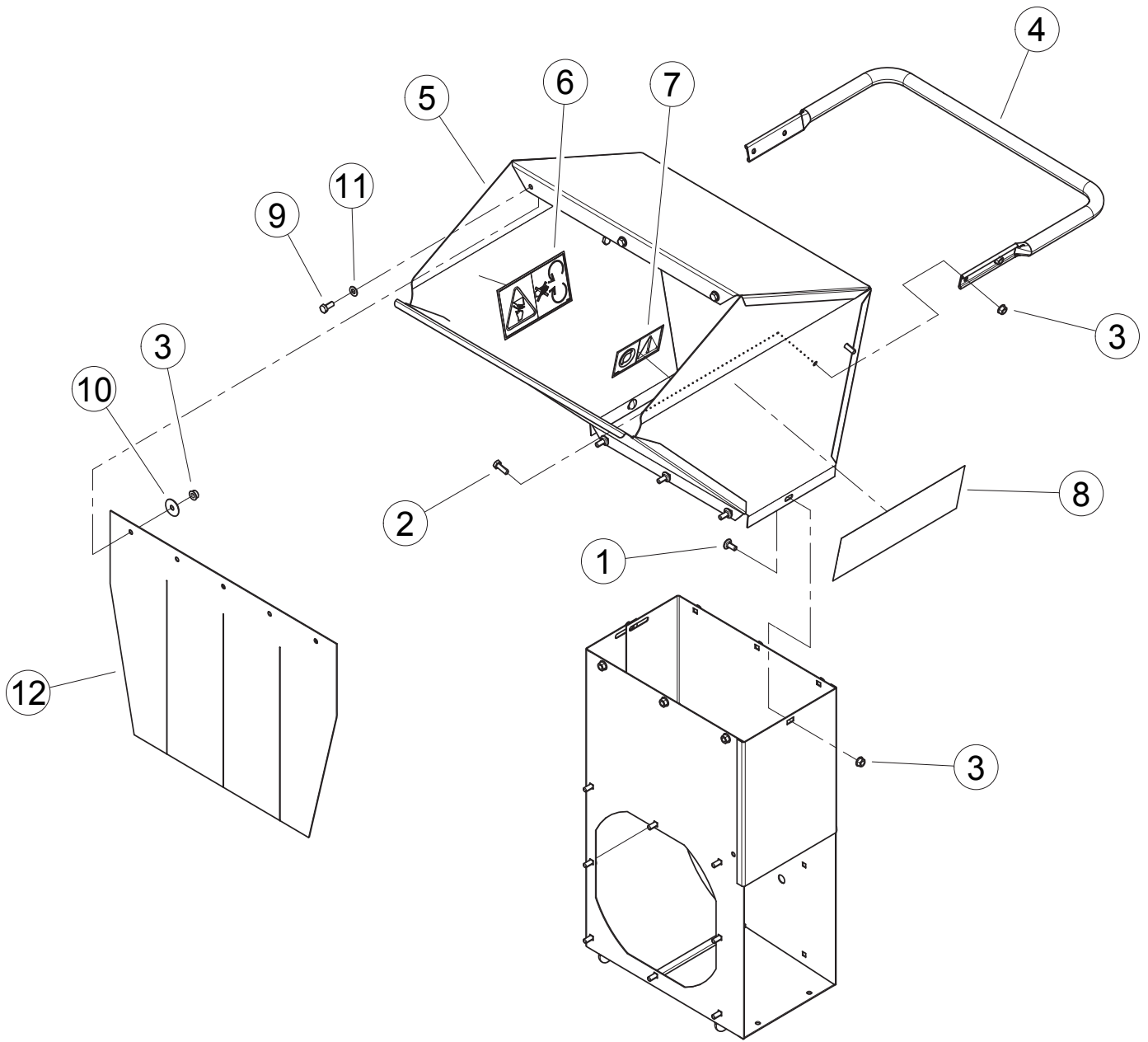
ITEM	PART NUMBER	DESCRIPTION
1	15282	BOLT, 5/16 X 1-1/2 HEX HD GR5 ZP
2	15367	BOLT, 5/16 X 3/4 CRG GR5 NC ZP
3	15381	BOLT, 5/16-24 X 3/4 HEX HD GR5 ZP
4	15416	WASHER, 5/16 SAE FLAT ZP
5	15418	KEY, 1/4 SQUARE X 1-1/2 LONG PLAIN
6	15818-00	NUT, 5/16 FLANGE TOPLOCK
7	17496	PIPE CAP, 1/4" GALV. HEX HEAD
8	17497	PIPE NIPPLE, 1/4 X 4 GALVANIZED
9	17995	PULLEY, 4X1 2A GROOVE
	15131	SCREW, 5/16-18 X 5/8 SQ HD SET
10	17996	BELTS HAH29.1 EL MATCHED SET
11		ENGINE, SUBARU 265CC EX27 (FOR SERVICE SEE ENGINE OWNER'S MANUAL OR NEAREST AUTHORIZED SUBARU INDUSTRIAL ENGINE DEALER)
		ENGINE, 342CC B+S HORIZONTAL (FOR SERVICE SEE ENGINE OWNER'S MANUAL OR NEAREST AUTHORIZED BRIGGS & STRATTON ENGINE DEALER)
12	74249-12	PLATE, ENGINE MOUNTING
13	74374-12	GUIDE, BELT



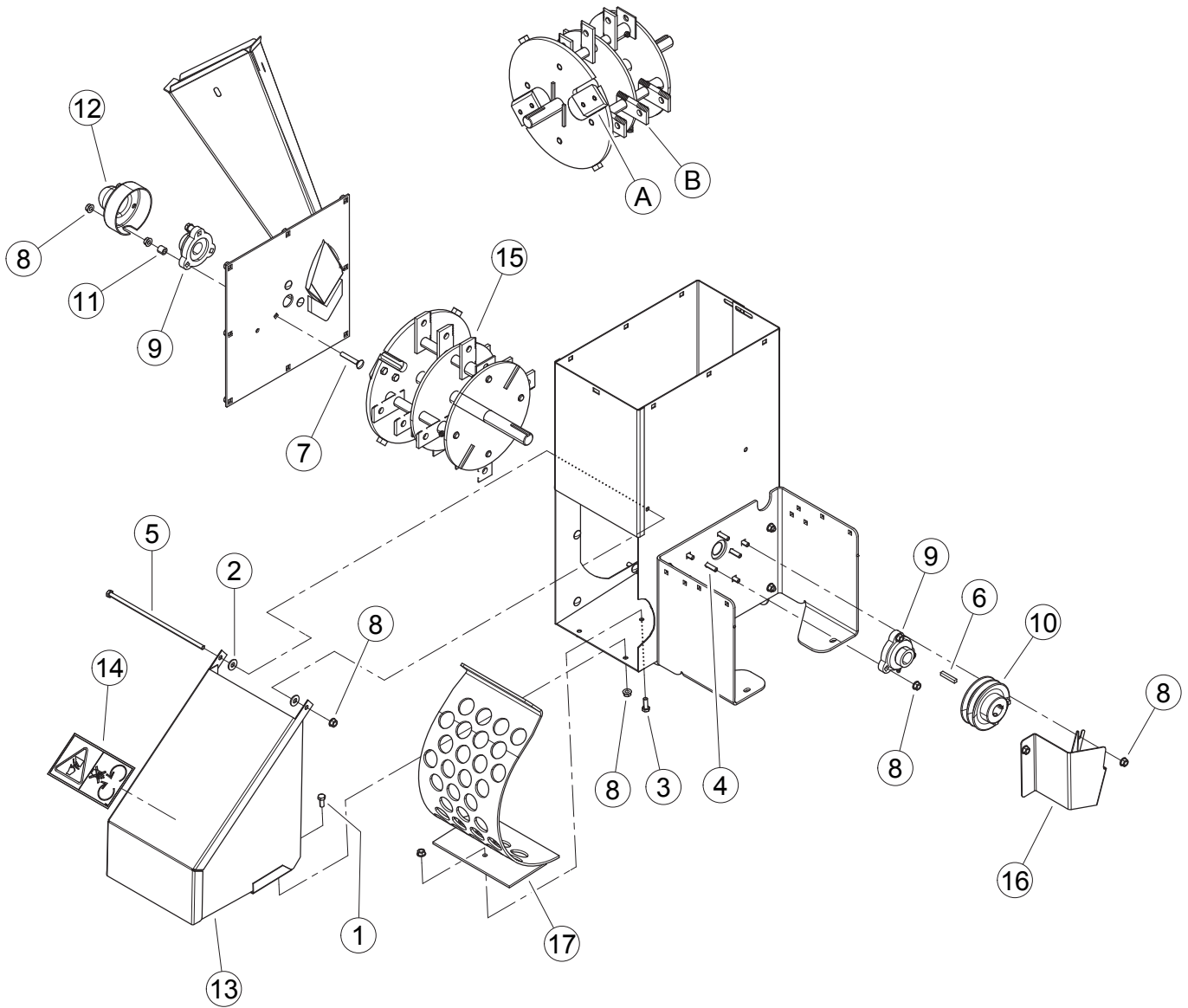
ITEM	PART NUMBER	DESCRIPTION
1	13904-00	BUMPER, RUBBER
2	14635-00	SPACER, 0.5 X 1.00
3	14636-00	ROLLER, 0.5 X 1.00 X 1.00 NYLON
4	14640-00	NYLON WASHER, 1/2 INCH
5	14667-00	IDLER, 2.75 X 1.25
6	15047	NUT, 3/8 CENTERLOCK ZP
7	15250	WASHER, 5/16 FLAT ZP
8	15367	BOLT, 5/16 X 3/4 CRG GR5 NC ZP
9	15396	BOLT, 5/16 X 7/8 HEX HD NC GR5 ZP
10	15403	BOLT, 5/16-18 X 1-3/4 HEX HD GR5 ZP
11	15416	WASHER, 5/16 SAE FLAT ZP
12	15501	BOLT, 3/8 X 3-1/4 HEX HD GR5 ZP
13	15818-00	NUT, 5/16 FLANGE TOPLOCK
14	17692	SPRING, 3/4"OD EXTENSION
15	62531	SPACER, 3/4" LONG IDLER TUBE
16	69239	SPACER, IDLER PIVOT
17	73063	SPACER, .50 X .25
18	74357-12	SHIELD, UPPER
19	74362-12	HANDLE, ENGAGEMENT
20	77281-12	MOUNT, IDLER BRACKET
21	77282-12	BRACKET, IDLER 3 IN CHIPPER



ITEM	PART NUMBER	DESCRIPTION
1	15019	BOLT, 5/8 X 3 HEX HD GR5 ZP
2	15250	WASHER, 5/16 FLAT ZP
3	15367	BOLT, 5/16 X 3/4 CRG GR5 NC ZP
4	15403	BOLT, 5/16-18 X 1-3/4 HEX HD GR5 ZP
5	15416	WASHER, 5/16 SAE FLAT ZP
6	15754-00	BOLT, 5/16-18 X 2-1/4 HEX HD GR5
7	15818-00	NUT, 5/16 FLANGE TOPLOCK
8	16003	WHEEL ASSY, 410/350-4
9	16155	DECAL, SERIAL NUMBER
10	32027-00	DECAL, SC3206 CE INFO AND NOISE
	32170-00	DECAL, SC3265 CE INFO AND NOISE
	32028-00	DECAL, SC3305 CE INFO AND NOISE
	32176-00	DECAL, SC3342 CE INFO AND NOISE
11	36022-00	DECAL, MODEL SC3206
	31457-00	DECAL, MODEL SC3265
	18939-00	DECAL, MODEL SC3305
	36026-00	DECAL, MODEL SC3342
12	71771	ASSEMBLY, 3" CHIPPER CHUTE EXT., SERVICE PART (INCLUDES ITEM 13)
13	31989-00	DECAL, 3" CHIPPER CHUTE
14	77251-12	WELDMENT, SUPPORT LEG LONG
	77252-12	WELDMENT, SUPPORT LEG SHORT (SC3206XE ONLY)
15	77254-12	WELDMENT, AXLE 3 IN CHIPPER
16	77265-35	WELDMENT, CHIPPER CHUTE
17	77339-00	ASSEMBLY, 3" CHIPPER BASE, SERVICE PART (INCLUDES ITEM 18 & 19)
18	12174	DECAL, SHIELD DANGER ISO
19	12175	DECAL, BLADE DANGER ISO
20	77341-00	ASSEMBLY, 3" WIDE BODY, SERVICE PART (INCLUDES ITEMS 18, 21 & 22)
	77300-00	ASSEMBLY, 3" NAR. BODY, SERVICE PART (INCLUDES ITEMS 11, 18, 21 & 22) - SC3206XE ONLY
21	31393-00	DECAL, SHRED IT
22	31990-00	DECAL, 3" CHIPPER BODY SIDE
23	32392-00	DECAL, ECHO BEARCAT SERVICE QR CODE



ITEM	PART NUMBER	DESCRIPTION
1	0103-0909-00	BOLT, 5/16-18 X 3/4 CRG GR5 SN
2	15396	BOLT, 5/16 X 7/8 HEX HD NC GR5 ZP
3	15818-00	NUT, 5/16 FLANGE TOPLOCK
4	71718	HANDLE, CE COMPLIANT HOPPER
5	77318-00	ASSEMBLY, EUROPEAN WIDE HOPPER (INCLUDES ITEMS 3 & 6 - 12)
	77280-00	ASSEMBLY, EUROPEAN NAR. HOPPER (INCLUDES ITEMS 3 & 6 - 12) - SC3206XE ONLY
6	12175	DECAL, BLADE DANGER ISO
7	12176	DECAL, SHREDDER SIZE ISO
8	14301-00	DECAL, ECHO BEARCAT 12.00 X 4.00
9	15003	BOLT, 5/16 X 3/4 HEX HD GR5 ZP
10	15040	WASHER, 5/16 FENDER ZP
11	15416	WASHER, 5/16 SAE FLAT ZP
12	71482	BELTING, CE COMPLIANT HOPPER

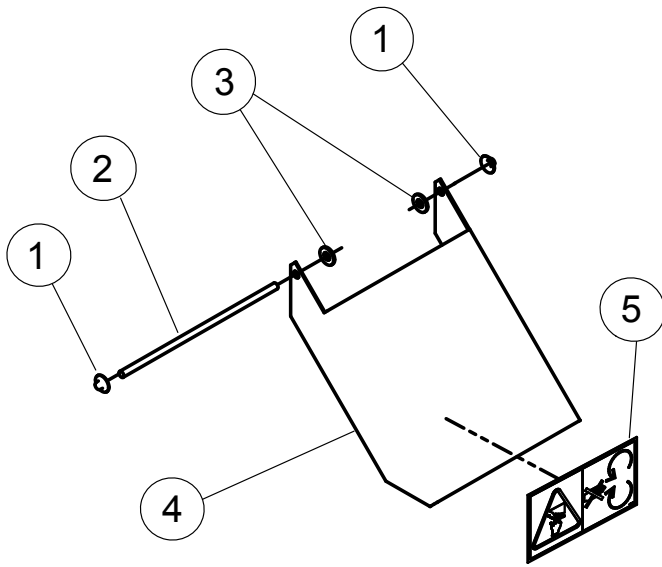


ITEM	PART NUMBER	DESCRIPTION
1	15003	BOLT, 5/16 X 3/4 HEX HD GR5 ZP
2	15250	WASHER, 5/16 FLAT ZP
3	15396	BOLT, 5/16 X 7/8 HEX HD NC GR5 ZP
4	15398	BOLT, 5/16 X 1-1/4 CRG GR5 ZP
5	15408	BOLT, 5/16 X 10 HEX HD GR5 NC ZP
6	15418	KEY, 1/4 SQUARE X 1-1/2 LONG PLAIN
7	15477	BOLT, 5/16 X 2 CRG GR5 NC ZP
8	15818-00	NUT, 5/16 FLANGE TOPLOCK
9	16234	BEARING, 1" FLUSHMOUNT CAST W/COLLAR
10	17995	PULLEY, 4X1 2A GROOVE
	17958	PULLEY, CAST 4" OD, 1" BORE, B GRV (SC3206 ONLY)
11	70285	SPACER .54 OD X .50 LG
12	70760	CAP, ROTOR SHAFT END CAP
13	71776	ASSY, WIDE CE COMPLIANT DISCHARGE, SERVICE PART (INCLUDES ITEM 14)
	71773	ASSY, NAR. CE COMPLIANT DISCHARGE, SERVICE PART (INCLUDES ITEM 14) - SC3206 ONLY
14	12175	DECAL, BLADE DANGER ISO
15	74209-00	ASSEMBLY, ROTOR
	77591-00	ASSEMBLY, ROTOR (SC3206 ONLY)
A	70738	KIT, CHIPPER BLADE
B	77589-00	KIT, 3" SHREDDER KNIVES (SC3206 ONLY)
	70973	KIT, 3" SHREDDER KNIVES (ALL WIDE BODY MODELS)
16	74358-12	SHIELD, LOWER
17	77388-12	WELDMENT, WIDE COARSE TAPERED
	77384-12	WELDMENT, NAR. COARSE TAPERED (SC3206 ONLY)

DISCHARGE DOOR

NON-CE COMPLIANT

1/13

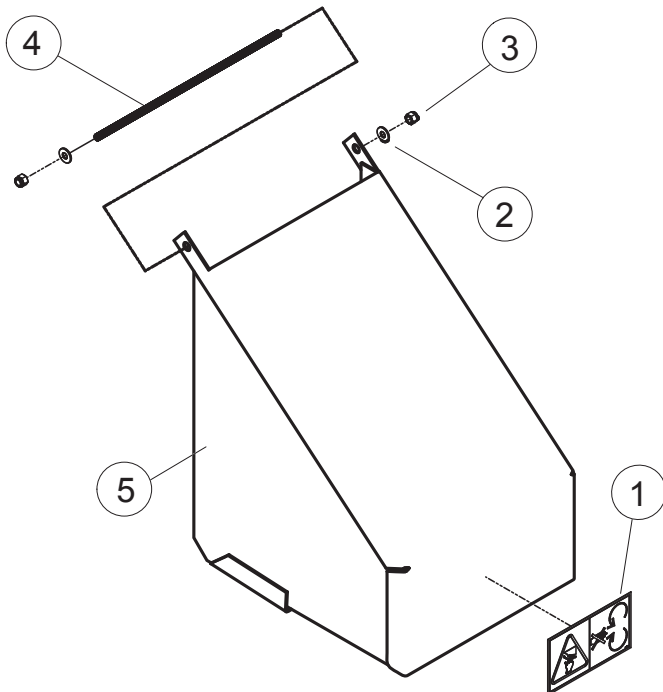


ITEM	PART #	DESCRIPTION
1	15411	PUSHNUT, 5/16"
2	70087	SHAFT, DOOR PIVOT (SC3206 ONLY)
	70088	SHAFT, DOOR PIVOT (ALL EXCEPT SC3206)
3	15409	WASHER, 5/16" NYLON
4 & 5	70194	5 HP DISCHARGE DOOR ASSY. W/DECALS (SC3206 ONLY)
4	70028	DISCHARGE DOOR
5	12175	DECAL, INLET AND DISCHARGE
4 & 5	70195	8 HP DISCHARGE DOOR ASSY. W/DECAL (ALL EXCEPT SC3206)
4	70067	DISCHARGE DOOR/ SHIELD
5	12175	DECAL, INLET AND DISCHARGE

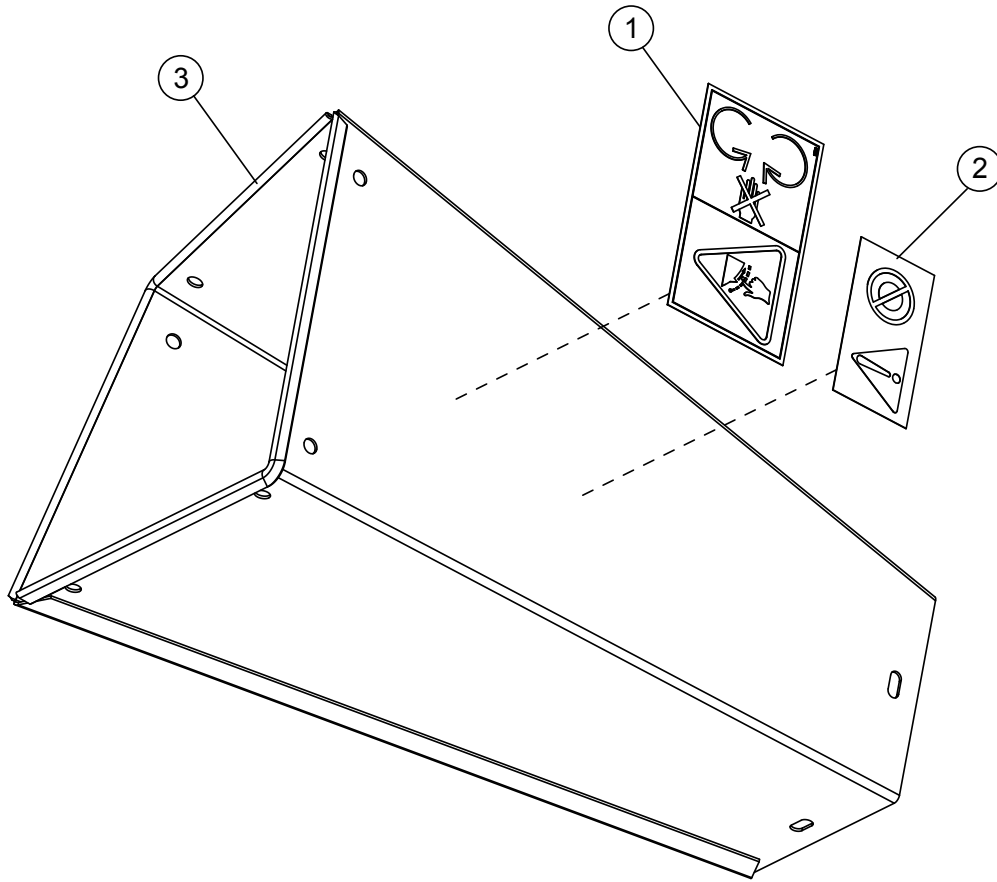
DISCHARGE ASSEMBLY

CE COMPLIANT

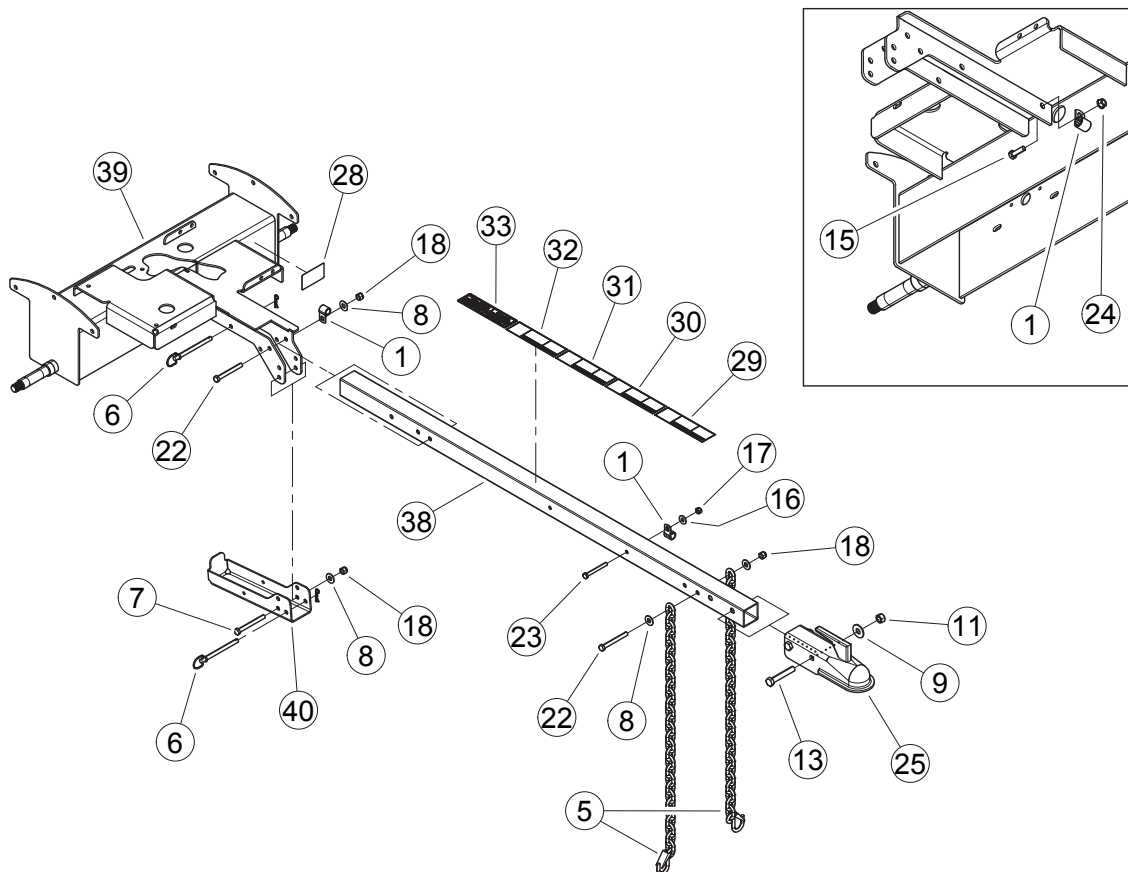
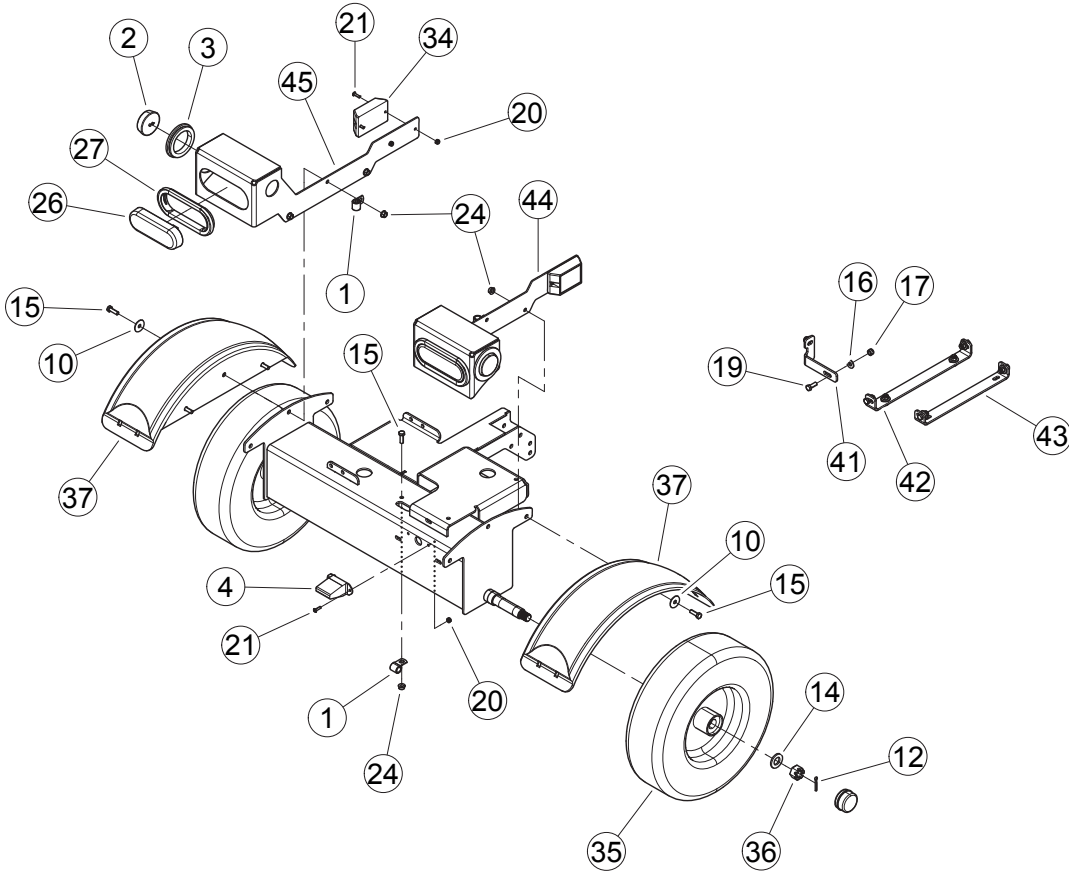
1/13



ITEM	PART #	DESCRIPTION
2	15250	WASHER, 5/16" FLAT ZP
3	15356	NUT, 5/16" NYLOCK ZP
4	15407	ROD, DOOR PIVOT (SC3206 ONLY)
	15408	SHAFT, DOOR PIVOT
5 & 1	71773	ASSY., NARROW EUROPEAN DISCHARGE (SC3206 ONLY)
5	71389	WELDMENT, NARROW EURO DISCHARGE
1	12175	DECAL, INLET AND DISCHARGE
5 & 1	71776	ASSY., WIDE EUROPEAN DISCHARGE (ALL EXCEPT SC3206)
5	71386	WELDMENT, WIDE EURO DISCHARGE
1	12175	DECAL, INLET AND DISCHARGE



ITEM	PART NUMBER	DESCRIPTION
1	12175	DECAL, INLET AND DISCHARGE
2	14938-00	DECAL, CHIPPER SIZE
3	71771	WELDMENT, CHUTE EXTENSION, SERVICE PART, INCLUDES ITEMS 1 & 2

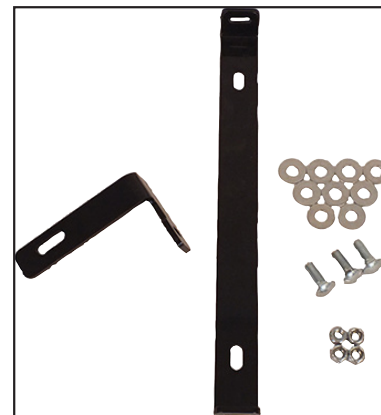


ITEM	PART NUMBER	DESCRIPTION	QTY
1	14048-00	CLAMP, 9/16 COATED	6
2	14361-00	LIGHT, RED CLEARANCE	2
3	14366-00	GROMMET, CLEARANCE LIGHT	2
4	14368-00	LIGHT, LICENSE PLATE	1
5	14381-00	CHAIN, SAFETY 5000 LB W/LATCH	2
6	14823-00	PIN, 3/8 HITCH	2
7	15010	BOLT, 3/8 X 3-1/2 HEX HD GR5 ZP	1
8	15031	WASHER, 3/8 FLAT ZP	4
9	15034	WASHER, 1/2 FLAT ZP	2
10	15040	WASHER, 5/16 FENDER ZP	6
11	15049	NUT, 1/2 CENTERLOCK GRB ZP	2
12	15068	PIN, 5/32 X 1-1/4 COTTER ZP	2
13	15086	BOLT, 1/2 X 3 HEX HD GR5 ZP	2
14	15098	WASHER, 3/4 SAE FLAT ZP	2
15	15219	BOLT, 5/16 X 1 HEX HD GR5 NC ZP	8
16	15250	WASHER, 5/16 FLAT ZP	9
17	15356	NUT, 5/16 NE NYLOCK ZP	9
18	15388	NUT, 3/8 NE NYLOCK ZP	3
19	15396	BOLT, 5/16 X 7/8 HEX NC GR5 ZP	8
20	15397	NUT, 10/24 NYLOCK TYPE NM ZP	6
21	15460	MACH. SCREW, #10-24 X 3/4 PAN HD PH ZP	6
22	15501	BOLT, 3/8 X 3-1/4 HEX HD GR5 ZP	2
23	15560	BOLT, 5/16 X 2-3/4 HEX HD GR5	1
24	15818-00	NUT, 5/16 FLANGE TOPLOCK	8
25	17988	TRAILER HITCH COUPLER	1
26	31736-00	TAIL LIGHT, OVAL LED	2
27	31737-00	GROMMET, OVAL TAIL LIGHT	2
28	32158-00	DECAL, 4.80-8 LOAD RATING (LOG SPLITTER)	1
29	32327-00	DECAL, SAFETY CHAINS	1
30	32328-00	DECAL, TRAILER ELECTRICAL	1
31	32329-00	DECAL, PINTLE SAFE COUPLING	1
32	32330-00	DECAL, CHECK WHEELS	1
33	32345-00	DECAL, SAFE TOWING SPEED	1
34	32347-00	LIGHT, AMBER SIDE MARKER	2
35	36093-00	ASSEMBLY, TIRE 4.8-8	2
36	36169-00	NUT, SLOTTED 3/4-16 GRADE 2	2
37	76624-00	FENDER, BLACK PLASTIC DRILLED	2
38	77191-12	TUBING, HITCH POLE	1
39	77366-12	WELDMENT, SC 3" TRAILER	1
40	77367-12	STAND, JACK	1
41	77372-12	BRACKET, CORNER	1
42	77373-12	BRACKET, ENGINE BASE	1
43	77437-12	BRACKET, ENGINE BASE	1
44	77485-12	BRACKET, RIGHT TAIL LIGHT	1
45	77486-12	BRACKET, LEFT TAIL LIGHT	1
	16865	STRAP, 15-1/16 IN BLACK TIE (NOT SHOWN)	3
	32346-00	HARNESS, SMALL TRAILER LIGHT (NOT SHOWN)	1

PART NUMBER	DESCRIPTION	SC3265	SC3206	SC3305	SC3305E	SC3342
77382-12	FINE DISCHARGE SCREEN (3/8" DIAMETER HOLES)		X			
77386-12	FINE DISCHARGE SCREEN (3/8" DIAMETER HOLES)	X		X	X	X
77383-12	MEDIUM DISCHARGE SCREEN (3/4" DIAMETER HOLES)		X			
77387-12	MEDIUM DISCHARGE SCREEN (3/4" DIAMETER HOLES)	X		X	X	X
77384-12	COARSE DISCHARGE SCREEN (1-3/8" DIAMETER SLOTS)		X			
77388-12	COARSE DISCHARGE SCREEN (1-3/8" DIAMETER SLOTS)	X		X	X	X
77385-12	WET DEBRIS SCREEN		X			
77389-12	WET DEBRIS SCREEN	X		X	X	X
17854	DEBRIS BAG	X	X	X	X	X
70251	BLOWER WITH 2-BLADE RADIAL FAN	X		X	X	X
70093	ALL WEATHER COVER	X	X	X	X	X
70089	LEAF TAMPER	X	X	X	X	X
77000-00	TWO WHEEL TOW KIT	X	X	X	X	X
31605-00	TACH/HOUR METER KIT	X	X	X	X	X
77353-00	TRAILER, 3" CHIPPER/SHREDDER	X	X	X	X	X
70738	CHIPPER BLADE KIT	X	X	X	X	X
77589-00	KIT, NARROW BODY SHREDDER FLAILS		X			
70973	KIT, WIDE BODY SHREDDER FLAILS	X		X	X	X



Trailer, 77353-00



Trailer Supplemental Kit for SN 03477 & Below, 77438-00



Optional Blower, 70251



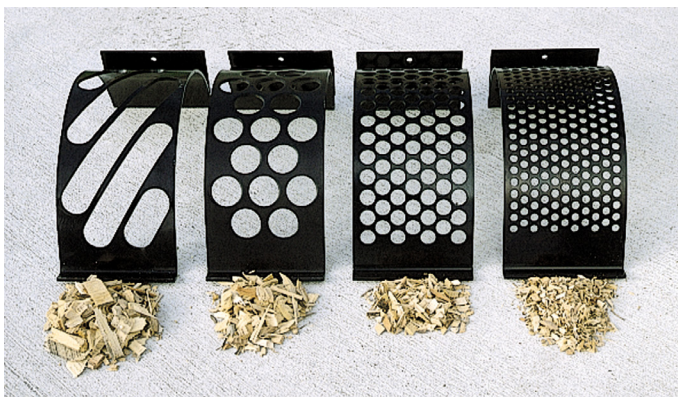
Protective Cover, 70093



2-Wheel Tow Kit, 77000-00



Debris Bag with Handles, 17854



Discharge Screens. See Chart for part number details.



Leaf Tamper, 70089



ECHO BEAR CAT

www.bearcatproducts.com

237 NW 12th Street, West Fargo, ND 58078-0849

Phone: 701.282.5520 • Toll Free: 888.645.4520 • Fax: 701.282.9522

E-mail: service@bearcatproducts.com • sales@bearcatproducts.com