

ECHO



www.bearcatproducts.com

WHEELED TRIMMER

WT190 - 190cc BRIGGS & STRATTON PUSH

WT190S - 190cc BRIGGS & STRATTON SELF-PROPELLED

WT190T - 190cc BRIGGS & STRATTON PUSH W/TILT

PARTS MANUAL



PN: 12330
Rev. 010113
Companion to 12331
SN Range: D04579 to Current

Before You Begin

DEAR ECHO BEAR CAT CUSTOMER

Thank you for purchasing a ECHO Bear Cat product. The ECHO Bear Cat line is designed, tested, and manufactured to give years of dependable performance. To keep your machine operating at peak efficiency, it is necessary to adjust it correctly and make regular inspections. The following pages will assist you in the operation and maintenance of your machine. Please read and understand this manual before operating your machine.

If you have any questions or comments about this manual, please call us toll-free at 1.888.645.4520.

If you have any questions or problems with your machine, please call or write your local authorized ECHO Bear Cat Dealer.

This document is based on information available at the time of its publication. ECHO Bear Cat is continually making improvements and developing new equipment. In doing so, we reserve the right to make changes or add improvements to our product without obligation for equipment previously sold.

PLEASE SEND US YOUR WARRANTY CARD

A warranty card is included in your owner's kit packaged with your machine. Please take the time to fill in the information requested on the card. When you send your completed card to us, we will register your machine and start your coverage under our limited warranty or go to bearcatproducts.com/warranty/warranty-registration/.

FOR MACHINE SERVICE OR PARTS:

For service assistance, contact your nearest authorized ECHO Bear Cat dealer or the factory. For parts, contact your authorized dealer. The parts manual for your machine is available at <http://bearcatproducts.com/main/support/index.html>. Your dealer will need to know the serial number of your machine to provide the most efficient service. See below for information on how to identify and record the serial number for your machine.

FOR ENGINE SERVICE OR PARTS:

For engine service or parts, contact your nearest authorized engine dealer. ECHO Bear Cat does not handle any parts, repairs or warranties for engines.

ORDERING PARTS

Only genuine ECHO Bear Cat replacement parts should be used to repair the machine. Replacement parts manufactured by others could present safety hazards, even though they may fit on this machine. Replacement parts are available from your ECHO Bear Cat dealer.

Provide the following when ordering parts:

The SERIAL NUMBER of your machine.

The PART NUMBER of the part.

The PART DESCRIPTION.

The QUANTITY needed.

SERIAL NUMBER LOCATION

Please record the serial number in the space provided and on the warranty and registration card.

MANUFACTURED BY CRARY INDUSTRIES
WEST FARGO, NORTH DAKOTA 58078 U.S.A.
SERIAL NUMBER
MANUFACTURED IN U.S.A.

SERIAL NUMBER

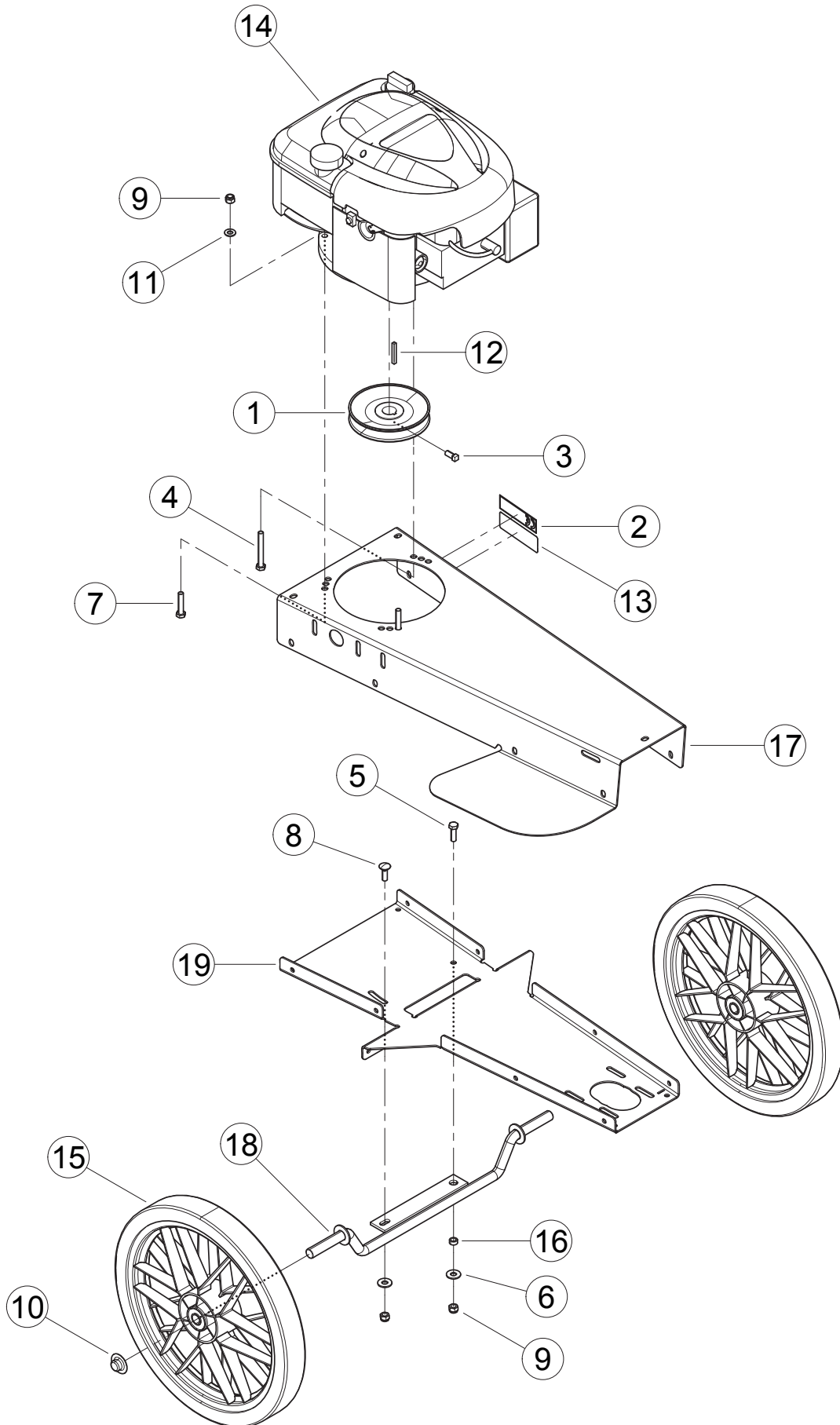
HOW TO CONTACT ECHO BEAR CAT

ADDRESS	PHONE	E-MAIL	HOURS
237 NW 12th Street P.O. Box 849 West Fargo, ND 58078	888.645.4520 701.282.5520 FAX: 701.282.9522	sales@bearcatproducts.com service@bearcatproducts.com	Monday - Friday, 8 am to 5 pm Central Time

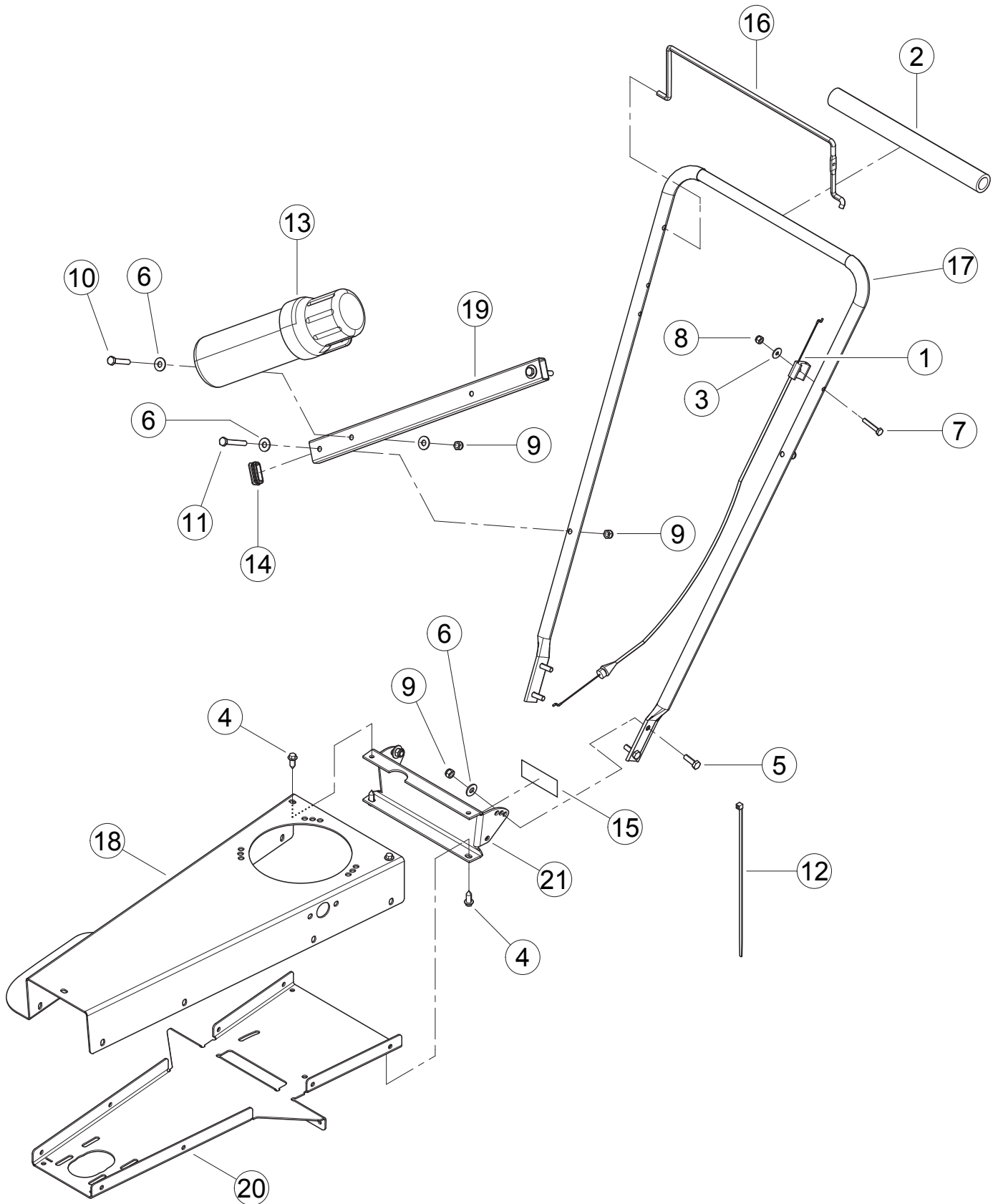
*Original Instructions

TABLE OF CONTENTS

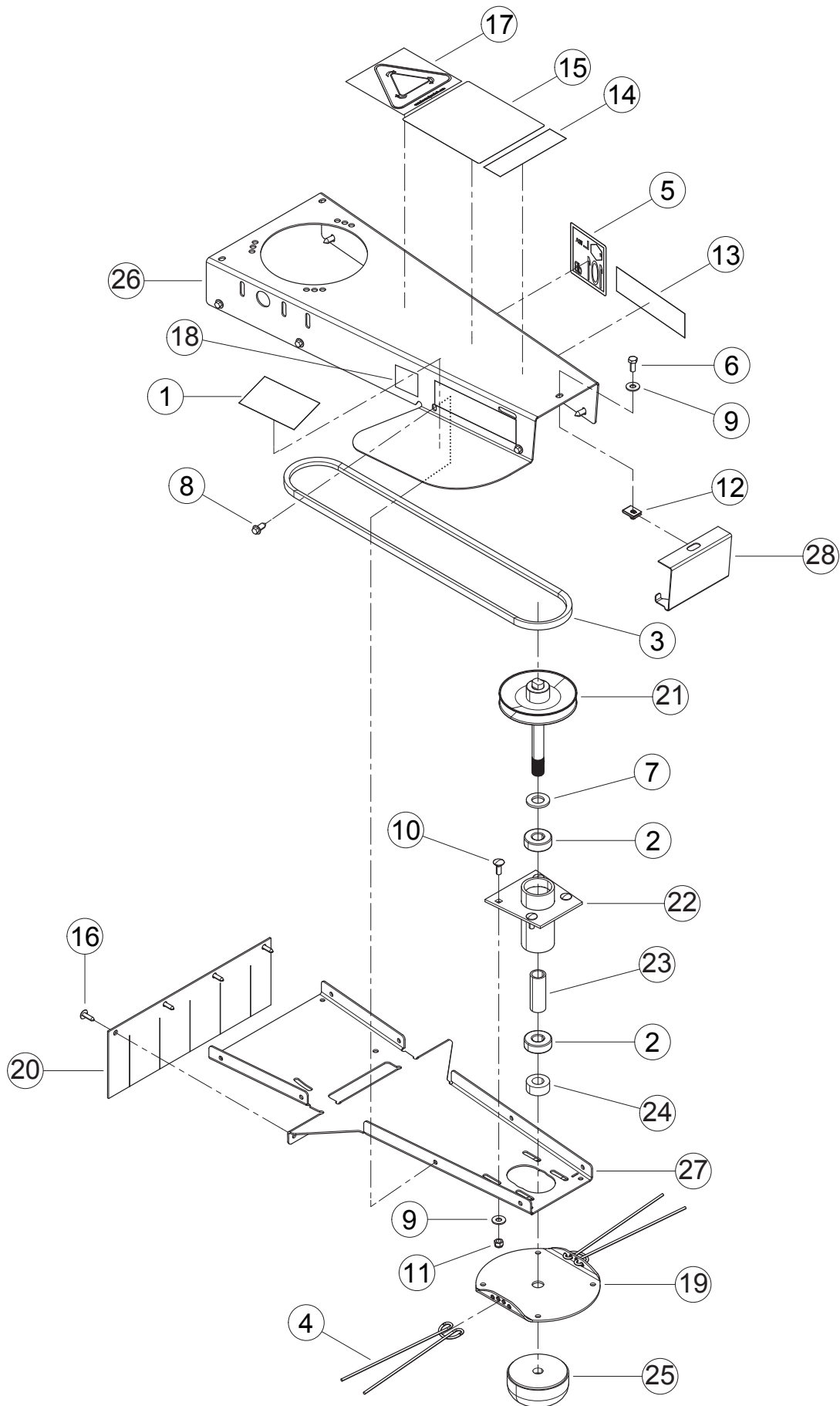
DESCRIPTION	PAGE
WT190 DRIVE	2
<i>PUSH</i>	
WT190 HANDLEBAR	4
<i>PUSH</i>	
WT190 BODY	6
<i>PUSH</i>	
WT190S DRIVE	8
<i>SELF-PROPELLED</i>	
WT190S HANDLEBAR	10
<i>SELF-PROPELLED</i>	
WT190S BODY	12
<i>SELF-PROPELLED</i>	
WT190T DRIVE	14
<i>PUSH W/TILT</i>	
WT190T HANDLEBAR	16
<i>PUSH W/TILT</i>	
WT190T BODY	18
<i>PUSH W/TILT</i>	
SERVICE PARTS & OPTIONS	20



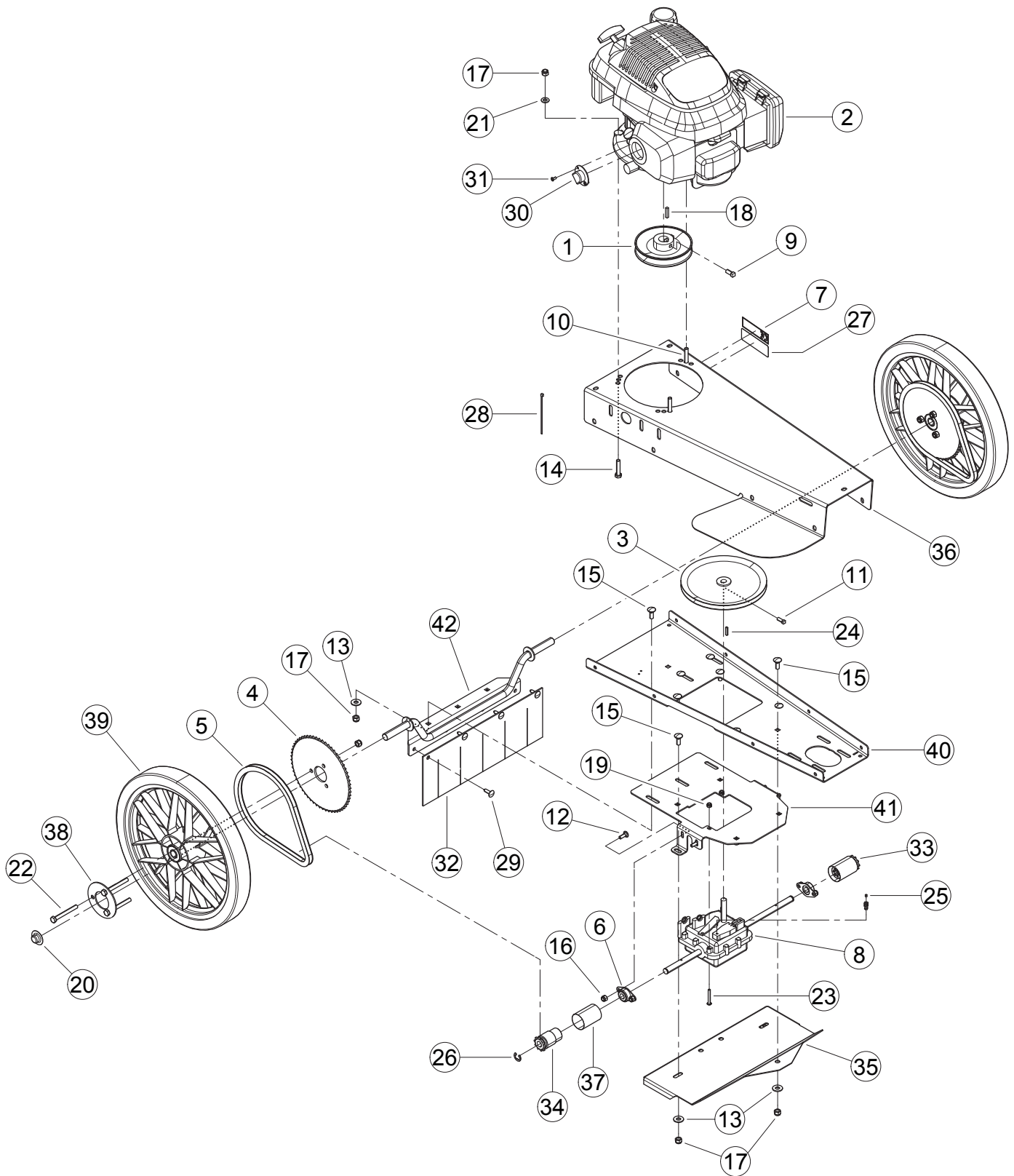
ITEM	PART NUMBER	DESCRIPTION
1	12319	PULLEY, 5.0 X 7/8 AB
2	14560-00	DECAL, 6.5 HP INFORMATION
3	15131	SCREW, 5/16-18 X 5/8 SQ HD SET
4	15154	BOLT, 5/16 X 2-1/2 HEX HD GR5 ZP
5	15219	BOLT, 5/16 X 1 HHCS GR5 NC ZP
6	15250	WASHER, 5/16 FLAT ZP
7	15282	BOLT, 5/16 X 1-1/2 HEX HD GR5 ZP
8	15301	BOLT, 5/16 X 1 CRG GR5 ZP
9	15356	NUT, 5/16 NE NYLOCK ZP
10	15406	PUSHNUT, 5/8 ZP
11	15416	WASHER, 5/16 SAE FLAT ZP
12	15434	KEY, 3/16 SQUARE X 1-1/2 LONG PLAIN
13	16155	DECAL, SERIAL NUMBER
14		ENGINE, 6.5 HP QUANTUM HD 49 STATE (CALIF. EMISSION COMPLIANT) (FOR SERVICE SEE ENGINE OWNER'S MANUAL OR YOUR NEAREST AUTHORIZED HONDA ENGINE DEALER.)
15	18957-00	WHEEL, 15 INCH TRIMMER (BLACK)
16	69126	SPACER, IDLER PIVOT
17	73630-35	BODY, TRIMMER
18	75503-12	WELDMENT, TRIMMER AXLE
19	75504-12	BOTTOM, TRIMMER FRAME



ITEM	PART NUMBER	DESCRIPTION
1	12324	CABLE, BRAKE CONTROL
2	12326	PAD, FOAM HANDLEBAR
3	15030	WASHER, 1/4 FLAT ZP
4	15176	SCREW, 11/32 X 7/8 HWH AB THREAD ZP
5	15219	BOLT, 5/16 X 1 HHCS GR5 NC ZP
6	15250	WASHER, 5/16 FLAT ZP
7	15342	BOLT, 1/4 X 1-1/2 HHCS GR5 ZP
8	15355	NUT, 1/4 NE NYLOCK ZP
9	15356	NUT, 5/16 NE NYLOCK ZP
10	15403	BOLT, 5/16-18 X 1-3/4 HCS GR5 ZP
11	15754-00	BOLT, 5/16 X 2-1/4 HCPS GR5
12	17320	STRAP, 11 IN. BLACK TIE
13	18008-00	CONTAINER, MANUAL
14	18955-00	CAP, PLASTIC 3/4 X 1-1/2 TUBE
15	31890-00	DECAL, ATLANTIC BRIDGE LTD INFO
16	72732-12	BAIL, TRIMMER
17	72760	HANDLEBAR, TRIMMER
18	73630-35	BODY, TRIMMER
19	74964-12	TUBE, CONTAINER MANUAL
20	75504-12	BOTTOM, TRIMMER FRAME
21	75518-12	CHANNEL, HANDLE SUPPORT



ITEM	PART NUMBER	DESCRIPTION
1	12254	DECAL, GRINDER DANGER
2	12314	BEARING, 3/4 BALL
3	12317	BELT, 4L 53 ARAMID
4	12348	STRING, .155 X 20-1/2
5	14184-00	DECAL, 101 DB
6	15003	BOLT, 5/16 X 3/4 HEX HD GR5 ZP
7	15098	WASHER, 3/4 SAE FLAT ZP
8	15176	SCREW, 11/32 X 7/8 HWH AB THREAD ZP
9	15250	WASHER, 5/16 FLAT ZP
10	15349	BOLT, 5/16 X 7/8 CRG GR5 NC ZP
11	15356	NUT, 5/16 NE NYLOCK ZP
12	15402	NUT, 5/16-18 TINNERMAN U-TYPE
13	17913	DECAL, ECHO BEARCAT 6.82 X 1.90
14	18947-00	DECAL, MODEL WT190
15	18949-00	DECAL, MANUAL/SAFETY INFO
16	18950-00	RIVET, PLASTIC 1/4 X 7/8
17	31392-00	DECAL, RECLAIM IT
18	32392-00	DECAL, ECHO BEAR CAT QR CODE
19	72705-12	DISK, TRIMMER HEAD
20	72723	FLAP, TRIMMER
21	72754	WELDMENT, TRIMMER PULLEY
22	72755-12	WELDMENT, SPINDLE HUB
23	72759	SPACER, TRIMMER SPINDLE
24	72781-12	SPACER, TRIMMER HEAD
25	73116-12	WELDMENT, TRIMMER HEAD USE 72704-12
26	73630-35	BODY, TRIMMER
27	75504-12	BOTTOM, TRIMMER FRAME
28	75519-35	COVER, FRONT TRIMMER

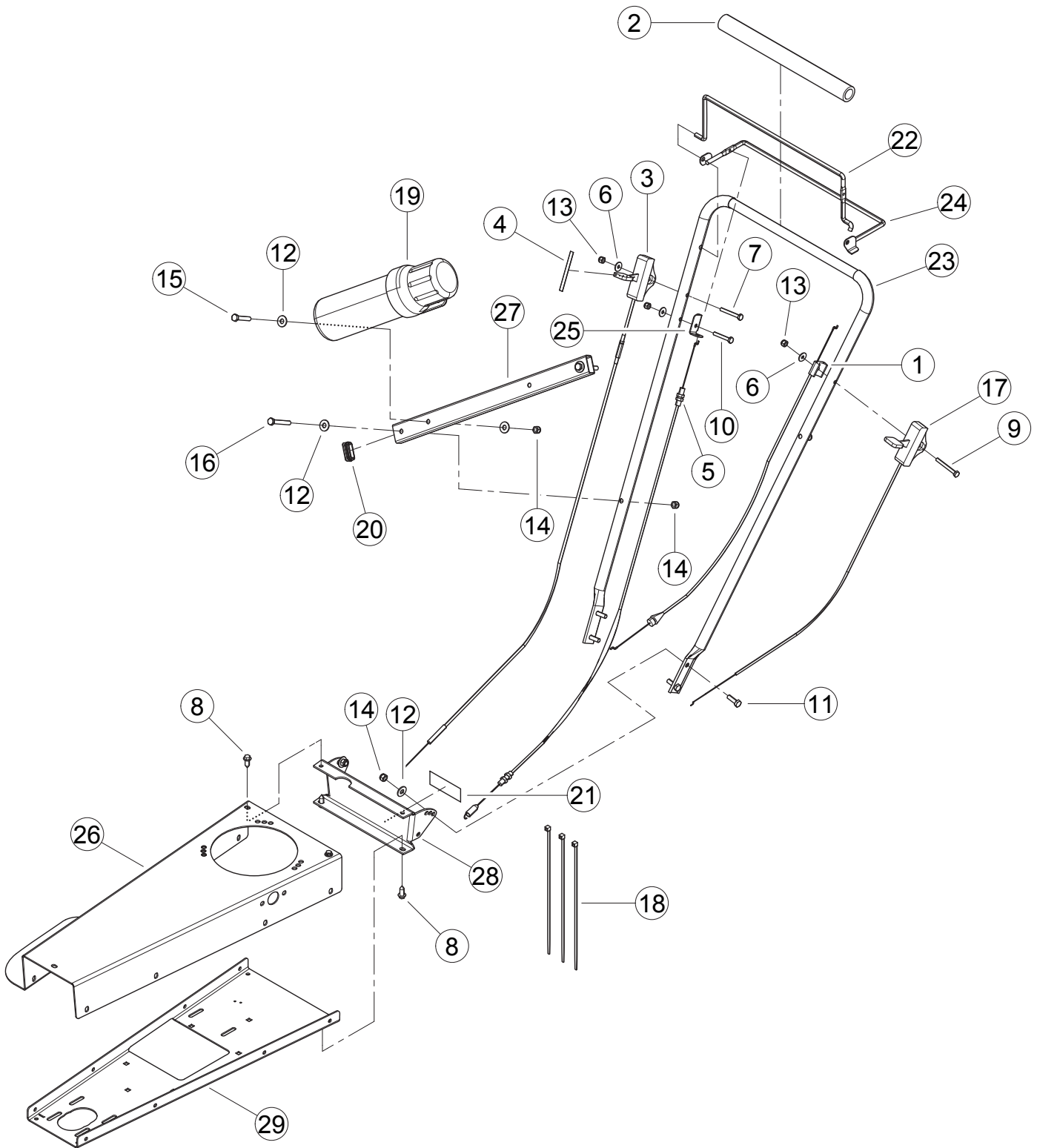


07/13

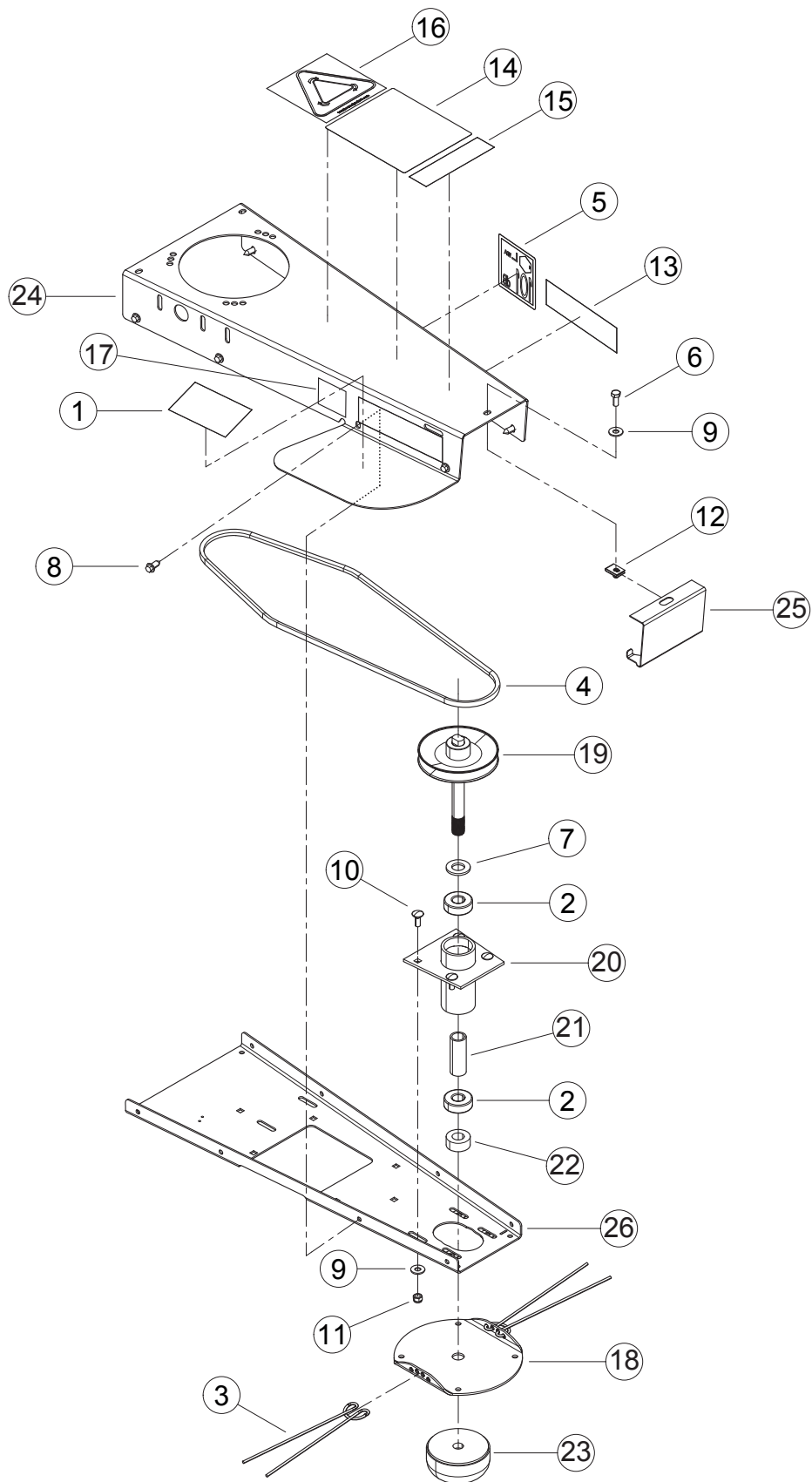
SELF-PROPELLED

WT190S DRIVE

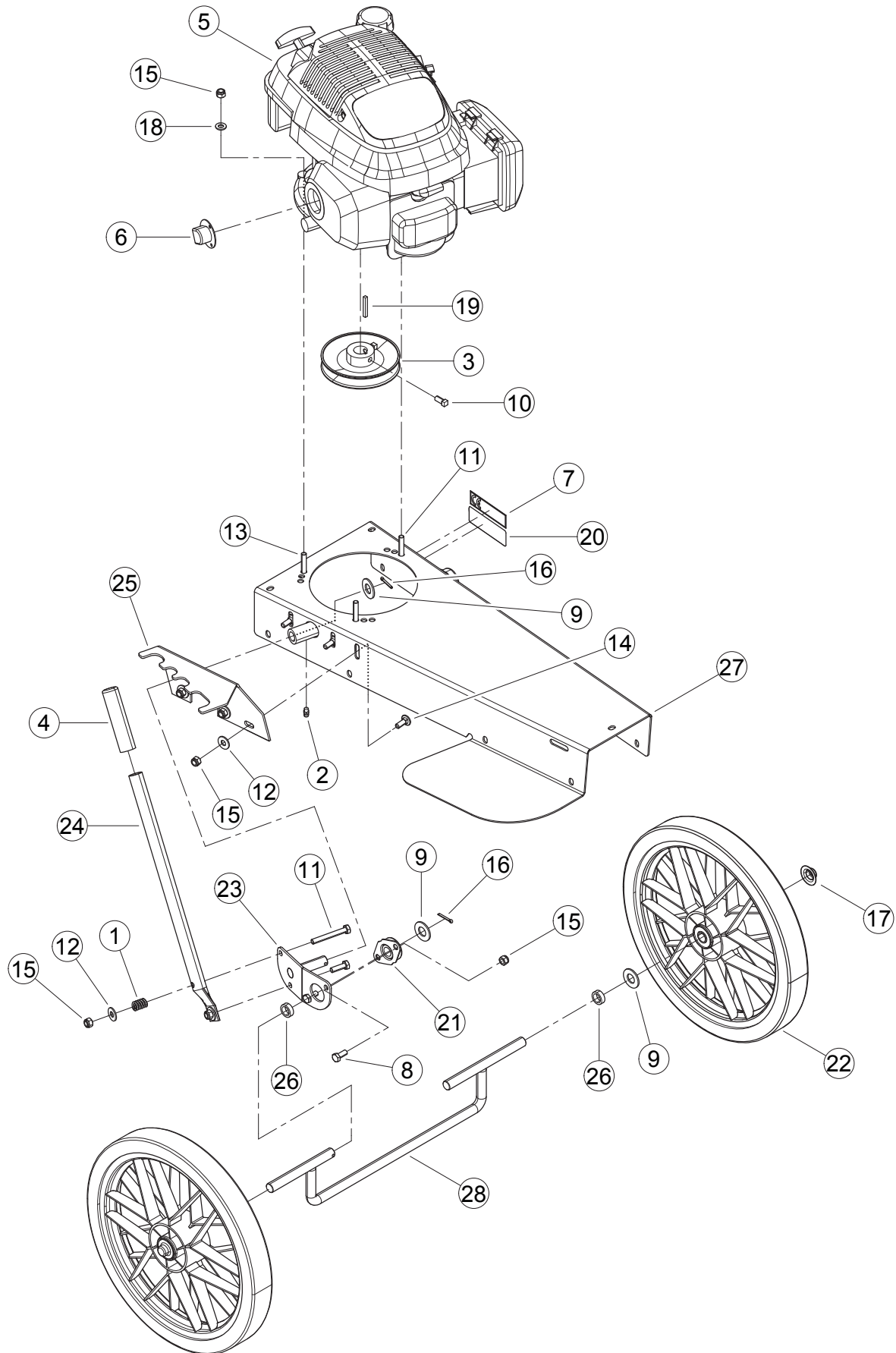
ITEM	PART NUMBER	DESCRIPTION	WT160S QTY	WT190S QTY
1	12319	PULLEY, 5.0 X 7/8 AB	1	1
2		ENGINE, 5.5 HP HONDA GCV (FOR SERVICE SEE ENGINE OWNER'S MANUAL OR YOUR NEAREST AUTHORIZED HONDA ENGINE DEALER.)	1	
		ENGINE, 6.5 HP QUANTUM HD 49 STATE (CALIF. EMISSION COMPLIANT) (FOR SERVICE SEE ENGINE OWNER'S MANUAL OR YOUR NEAREST AUTHORIZED HONDA ENGINE DEALER.)		1
3	12568	PULLEY, 7-1/2 X 12MM A GROOVE	1	1
4	12571	SPROCKET, 35A60 W/HOLES	2	2
5	12572	CHAIN, EZ TRIMMOWER	2	2
6	12574	BEARING, 1/2 FLANGE	2	2
7	12755	DECAL, 5.5 HP INFORMATION	1	
	14564-00	DECAL, 6.5 HP SP INFORMATION		1
8		TRANSMISSION, 3 SPEED (WAS 12834, REPLACED AND SUPERSEDED. FOR SERVICE ORDER KIT #77791-00)	1	1
9	15131	SCREW, 5/16-18 X 5/8 SQ HD SET	2	2
10	15154	BOLT, 5/16 X 2-1/2 HEX HD GR5 ZP		1
11	15180	SET SCREW, 1/4 X 5/8 SQ HD	2	2
12	15238	BOLT, 1/4 X 3/4 CRG GR5 ZP	4	4
13	15250	WASHER, 5/16 FLAT ZP	8	8
14	15282	BOLT, 5/16 X 1-1/2 HEX HD GR5 ZP	3	2
15	15349	BOLT, 5/16 X 7/8 CRG GR5 NC ZP	10	10
16	15355	NUT, 1/4 NE NYLOCK ZP	4	4
17	15356	NUT, 5/16 NE NYLOCK ZP	19	19
18	15372	KEY, 3/16 SQUARE X 1.00 LONG	1	1
19	15397	NUT, 10/24 NYLOCK TYPE NM, ZP	2	2
20	15406	PUSHNUT, 5/8 ZP	2	2
21	15416	WASHER, 5/16 SAE FLAT ZP	5	3
22	15560	BOLT, 5/16 X 2-3/4 HCPS GR5	6	6
23	15594	SCREW, #10X24 X 1-1/2 PAN PHP ZP	2	2
24	15598	KEY, 4MM SQUARE X 20 MM	1	1
25	15680-00	SCREW, #8-32 X 3/16 KNR CUP PT	1	1
26	15683-00	CLIP, 1/2" E	2	2
27	16155	DECAL, SERIAL NUMBER	1	1
28	16900	STRAP, 4 IN. BLACK	1	1
29	18950-00	RIVET, PLASTIC 1/4 X 7/8	4	4
30	31310-00	MUFFLER DEFLECTOR, HONDA 5.5 HP GCV	1	
31	31311-00	SCREW, MUFFLER DEFLECTOR	2	
32	72723	FLAP, TRIMMER	1	1
33	72989	WELDMENT, LH WHEEL CLUTCH	1	1
34	72990	WELDMENT, RH WHEEL CLUTCH	1	1
35		PAN, TRIMMER BOTTOM (WAS 73266-12, REPLACED AND SUPERSEDED. FOR SERVICE ORDER PN 77789-12)	1	1
36	73630-35	BODY, TRIMMER	1	1
37	74836-00	TUBE, 1.5" X 2.125" HEAT SHRINK	2	2
38	75512-12	SHEET, CAP WHEEL	2	2
39	75534-00	ASSEMBLY, TRIMMER WHEEL	2	2
40	76733-12	BOTTOM, TRIMMER FRAME	1	1
41		PLATE, TRANSMISSION (WAS 76734-12, REPLACED AND SUPERSEDED. FOR SERVICE ORDER PN 77790-12)	1	1
42	76736-12	WELDMENT, TRIMMER AXLE	1	1



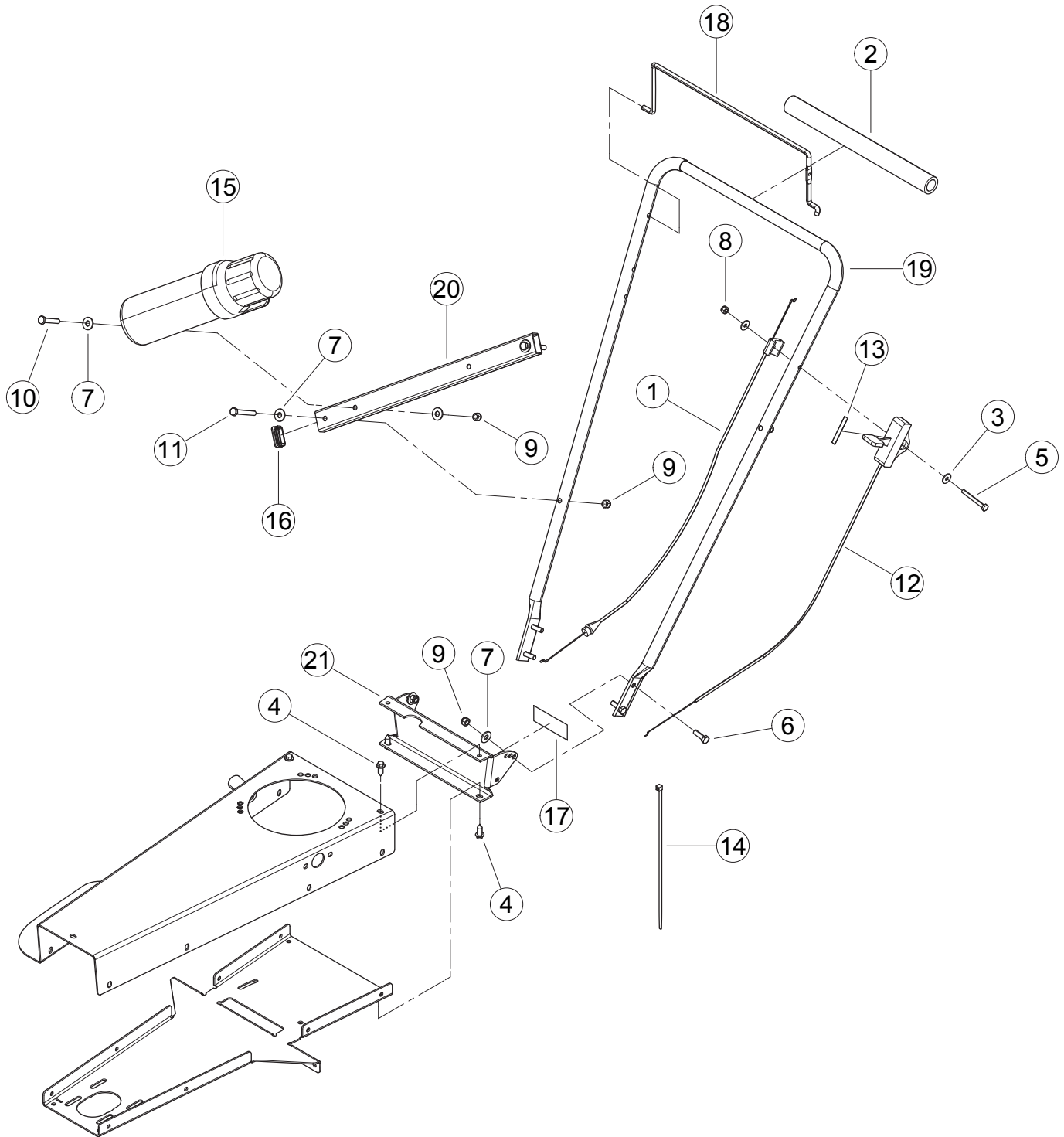
ITEM	PART NUMBER	DESCRIPTION
1	12324	CABLE, BRAKE CONTROL
2	12326	PAD, FOAM HANDLEBAR
3	12842	CABLE, TRANSMISSION CONTROL
4	12849	DECAL, 3 SPEED
5	12856	CABLE, SP CONTROL
6	15030	WASHER, 1/4 FLAT ZP
7	15093	BOLT, 1/4 X 2 HEX HD GR5 ZP (WT160S ONLY)
	15094	BOLT, 1/4 X 1-3/4 HHCS GR5 ZP (WT190S ONLY)
8	15176	SCREW, 11/32 X 7/8 HWH AB THREAD ZP
9	15197	BOLT, 1/4 X 2-1/4 HCS GR5 ZP (WT160S ONLY)
	15342	BOLT, 1/4 X 1-1/2 HHCS GR5 ZP (WT190S ONLY)
10	15214	BOLT, 1/4 X 1-1/4 HEX HD GR5 ZP
11	15219	BOLT, 5/16 X 1 HEX HD GR5 NC ZP
12	15250	WASHER, 5/16 FLAT ZP
13	15355	NUT, 1/4 NE NYLOCK ZP
14	15356	NUT, 5/16 NE NYLOCK ZP
15	15403	BOLT 5/16-18 X 1-3/4 HCS GR5 ZP
16	15754-00	BOLT, 5/16 X 2-1/4 HCPS GR5
17	16239	THROTTLE CONTROL (WT160S ONLY)
18	17320	STRAP, 11 IN. BLACK TIE
19	18008-00	CONTAINER, MANUAL
20	18955-00	CAP, PLASTIC 3/4 X 1-1/2 TUBE
21	31890-00	DECAL, ATLANTIC BRIDGE LTD INFO (WT190S ONLY)
22	72732-12	BAIL, TRIMMER
23	72760	HANDLEBAR, TRIMMER
24	72995-12	WELDMENT, SP BAIL
25	72999-12	ANCHOR, SP CABLE
26	73630-35	BODY, TRIMMER
27	74964-12	TUBE, CONTAINER MANUAL
28	75518-12	CHANNEL, HANDLE SUPPORT
29	76733-12	BOTTOM, TRIMMER FRAME



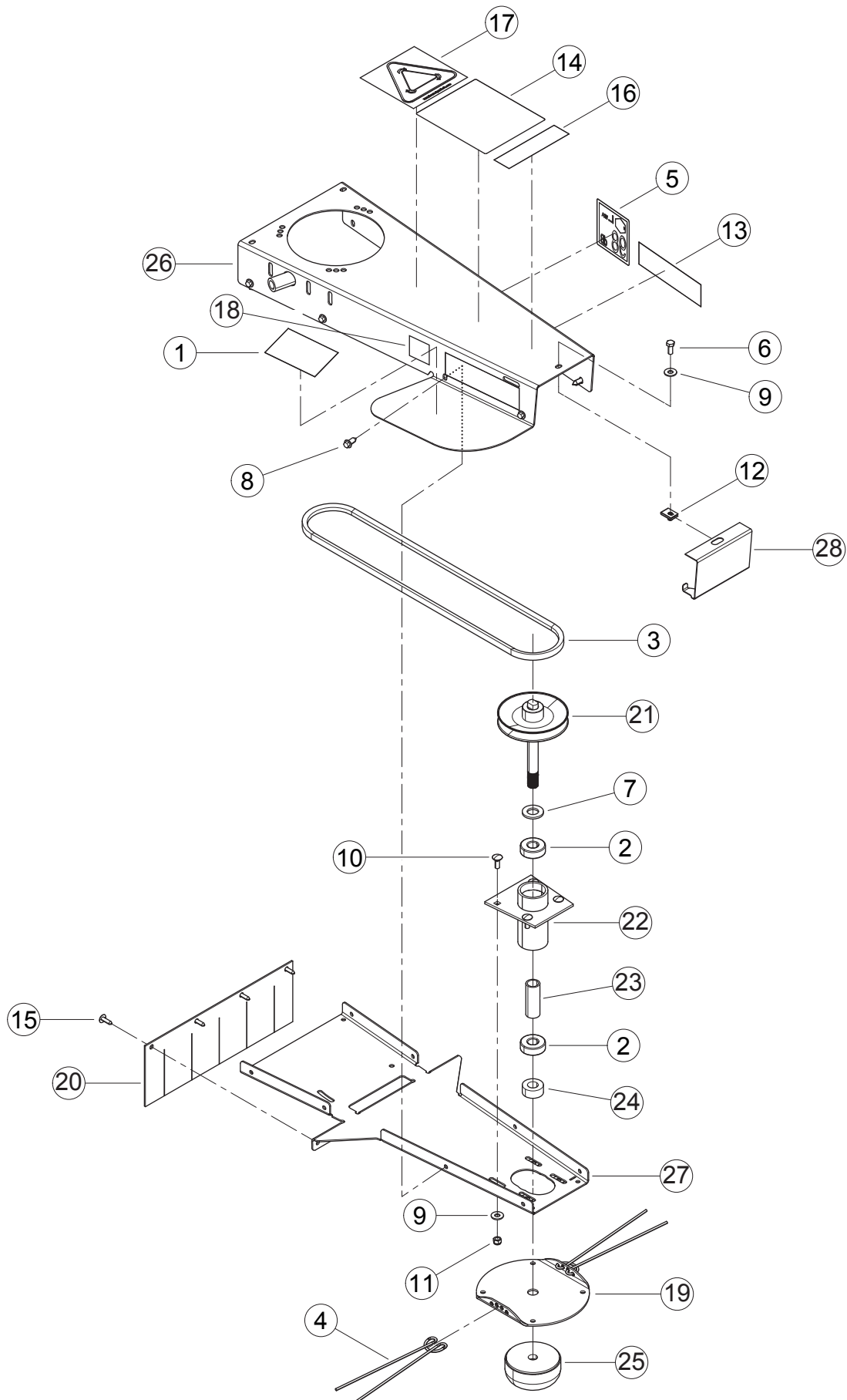
ITEM	PART NUMBER	DESCRIPTION
1	12254	DECAL, GRINDER DANGER
2	12314	BEARING, 3/4 BALL
3	12348	STRING, .155 X 20-1/2
4	12573	BELT, 3L X 52
5	14182-00	DECAL, 98 DB (WT160S)
	14184-00	DECAL, 101 DB (WT190S)
6	15003	BOLT, 5/16 3/4 HEX HD GR5 ZP
7	15098	WASHER, 3/4 SAE FLAT ZP
8	15176	SCREW, 11/32 X 7/8 HWH AB THREAD ZP
9	15250	WASHER, 5/16 FLAT ZP
10	15349	BOLT, 5/16 X 7/8 CRG GR5 NC ZP
11	15356	NUT, 5/16 NE NYLOCK ZP
12	15402	NUT 5/16-18 TINNEMAN U-TYPE
13	17913	DECAL, ECHO BEARCAT 6.82 X 1.90
14	18949-00	DECAL, MANUAL/SAFETY INFO
15	18953-00	DECAL, MODEL WT160S
	18951-00	DECAL, MODEL WT190S
16	31392-00	DECAL, RECLAIM IT
17	32392-00	DECAL, ECHO BEAR CAT QR CODE
18	72705-12	DISK, TRIMMER HEAD
19	72754	WELDMENT, TRIMMER PULLEY
20	72755-12	WELDMENT, SPINDLE HUB
21	72759	SPACER, TRIMMER SPINDLE
22	72781-00	SPACER, TRIMMER HEAD
23	73116-12	WELDMENT, TRIMMER HEAD USE 72704-12
24	73630-35	BODY, TRIMMER
25	75519-35	COVER, FRONT TRIMMER
26	76733-12	BOTTOM, TRIMMER FRAME



ITEM	PART NUMBER	DESCRIPTION	WT160T QTY	WT190T QTY
1	12177	SPRING, HEAVY DUTY COMPRESSION	1	1
2	12275	FITTING, 1/4 SELF-TAP GREASE	1	1
3	12319	PULLEY, 5.0 X 7/8 AB	1	1
4	12325	GRIP, TILT CONTROL	1	1
5		ENGINE, 5.5 HP HONDA GCV (FOR SERVICE SEE ENGINE OWNER'S MANUAL OR YOUR NEAREST AUTHORIZED HONDA ENGINE DEALER.)	1	
		ENGINE, 6.5 HP QUANTUM HD 49 STATE (CALIF. EMISSION COMPLIANT) (FOR SERVICE SEE ENGINE OWNER'S MANUAL OR YOUR NEAREST AUTHORIZED HONDA ENGINE DEALER.)		1
6	12520	DEFLECTOR, EXHAUST (WT160T ONLY)	1	
7	12755	DECAL, 5.5 HP INFORMATION	1	
	14563-00	DECAL, 6.5 HP TILT INFORMATION		1
8	15003	BOLT, 5/16 X 3/4 HEX HD GR5 ZP	4	4
9	15129	WASHER, 5/8 SAE FLAT ZP	4	4
10	15131	SCREW, 5/16-18 X 5/8 SQ HD SET	2	2
11	15154	BOLT, 5/16 X 2-1/2 HEX HD GR5 ZP	1	2
12	15250	WASHER, 5/16 FLAT ZP	7	7
13	15282	BOLT, 5/16 X 1-1/2 HEX HD GR5 ZP	3	2
14	15349	BOLT, 5/16 X 7/8 CRG GR5 NC ZP	3	3
15	15356	NUT, 5/16 NE NYLOCK ZP	12	12
16	15375	PIN, 1/8 X 1.00 COTTER ZP	2	2
17	15406	PUSHNUT, 5/8 ZP	2	2
18	15416	WASHER, 5/16 SAE FLT ZP	3	3
19	15434	KEY, 3/16 SQUARE X 1-1/2 LONG PLAIN	1	1
20	16155	DECAL, SERIAL NUMBER	1	1
21	17897	BEARING, SIDE FLANGE MOUNT, 5/8	2	2
22	18957-00	WHEEL, 15 INCH TRIMMER (BLACK)	2	2
23	72710-12	WELDMENT, AXLE PIVOT	1	1
24	72724	HANDLE, TRIMMER HEIGHT ADJUST	1	1
25	72736-12	PLATE, HANDLE LOCK	1	1
26	72762-12	SPACER, 7/8 X .281	3	3
27	73298-35	WELDMENT, TRIMMER BODY	1	1
28	75505-12	WELDMENT, TRIMMER AXLE	1	1



ITEM	PART NUMBER	DESCRIPTION
1	12324	CABLE, BRAKE CONTROL
2	12326	PAD, FOAM HANDLEBAR
3	15030	WASHER, 1/4 FLAT ZP
4	15176	SCREW, 11/32 X 7/8 HWH AB THREAD ZP
5	15197	BOLT, 1/4 X 2-1/4 HCS GR5 ZP (WT160T ONLY)
	15342	BOLT, 1/4 X 1-1/2 HCS GR5 ZP (WT190T ONLY)
6	15219	BOLT, 5/16 X 1 HHCS GR5 NC ZP
7	15250	WASHER, 5/16 FLAT ZP
8	15355	NUT, 1/4 NE NYLOCK ZP
9	15356	NUT, 5/16 NE NYLOCK ZP
10	15403	BOLT, 5/16-18 X 1-3/4 HCS GR5 ZP
11	15754-00	BOLT, 5/16 X 2-1/4 HCPS GR5
12	16239	THROTTLE CONTROL (WT160T ONLY)
13	16740	DECAL, THROTTLE (WT160T ONLY)
14	17320	STRAP, 11 IN. BLACK TIE
15	18008-00	CONTAINER, MANUAL
16	18955-00	CAP, PLASTIC 3/4 X 1-1/2 TUBE
17	31890-00	DECAL, ATLANTIC BRIDGE LTD INFO (WT190T ONLY)
18	72732-12	BAIL, TRIMMER
19	72760	HANDLEBAR, TRIMMER
20	74964-12	TUBE, CONTAINER MANUAL
21	75518-12	CHANNEL, HANDLE SUPPORT



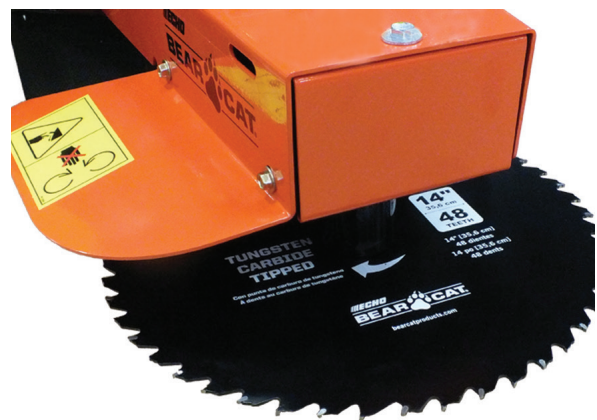
ITEM	PART NUMBER	DESCRIPTION
1	12254	DECAL, GRINDER DANGER
2	12314	BEARING, 3/4 BALL
3	12317	BELT, 4L 53 ARAMID
4	12348	STRING, .155 X 20-1/2
5	14182-00	DECAL, 98 DB (WT160TXS MODEL)
	14184-00	DECAL, 101 DB (WT190TXS MODEL)
6	15003	BOLT, 5/16 X 3/4 HEX HD GR5 ZP
7	15098	WASHER, 3/4 SAE FLAT ZP
8	15176	SCREW, 11/32 X 7/8 HWH AB THREAD ZP
9	15250	WASHER, 5/16 FLAT ZP
10	15349	BOLT, 5/16 X 7/8 CRG GR5 NC ZP
11	15356	NUT, 5/16 NE NYLOCK ZP
12	15402	NUT, 5/16-18 TINNERMAN U-TYPE
13	17913	DECAL, ECHO BEARCAT 6.82 X 1.90
14	18949-00	DECAL, MANUAL/SAFETY INFO
15	18950-00	RIVET, PLASTIC 1/4 X 7/8
16	18952-00	DECAL, MODEL WT160T
	18948-00	DECAL, MODEL WT190T
17	31392-00	DECAL, RECLAIM IT
18	32392-00	DECAL, ECHO BEAR CAT QR CODE
19	72705-12	DISK, TRIMMER HEAD
20	72723	FLAP, TRIMMER
21	72754	WELDMENT, TRIMMER PULLEY
22	72755-12	WELDMENT, SPINDLE HUB
23	72759	SPACER, TRIMMER SPINDLE
24	72781-12	SPACER, TRIMMER HEAD
25	73116-12	WELDMENT, TRIMMER HEAD USE 72704-12
26	73298-35	WELDMENT, TRIMMER BODY
27	75504-12	BOTTOM, TRIMMER FRAME
28	75519-35	COVER, FRONT TRIMMER

SERVICE PARTS & OPTIONS	
PART NUMBER	DESCRIPTION
.130 INCH DIAMETER LINE	
12388	STRING, 1 LB. X .130 ROUND
12389	STRING, 1 LB. X .130 SQUARE
72777	.130 ROUND STRING (QTY 10)
72778	.130 SQUARE STRING (QTY 10)
.155 INCH DIAMETER LINE	
12390	STRING, 1 LB. X .155 ROUND
12391	STRING, 1 LB. X .155 SQUARE
72779	.155 SQUARE STRING (QTY 10)
72780	.155 ROUND STRING (QTY 10)
32029-00	10 PACK, 20 INCH PRE-CUT LENGTH
CROSSFIRE LINE .175 INCH DIAMETER	
32031-00	10 PACK, 20 INCH PRE-CUT LENGTH
32033-00	75 FOOT DONUT
32035-00	3 LB. SPOOL

32086-00	14 INCH TRIPLE BLADE BRUSH CUTTER
73060	KIT, TRIMMER BLADE
74548-00	KIT, SABRE TOOTH BLADE (NOT APPROVED FOR CE CONFORMITY)
74891-00	KIT, PRO LINE HOLDER
72704-12	HEAT-TREATED TRIMMER HEAD MOW BALL



14 INCH TRIPLE BLADE BRUSH CUTTER, 32086-00



KIT, SABRE TOOTH BLADE, 74548-00



ECHO BEAR CAT

www.bearcatproducts.com

237 NW 12th Street, West Fargo, ND 58078-0849

Phone: 701.282.5520 • Toll Free: 888.645.4520 • Fax: 701.282.9522

E-mail: service@bearcatproducts.com • sales@bearcatproducts.com