

carrarospray.it

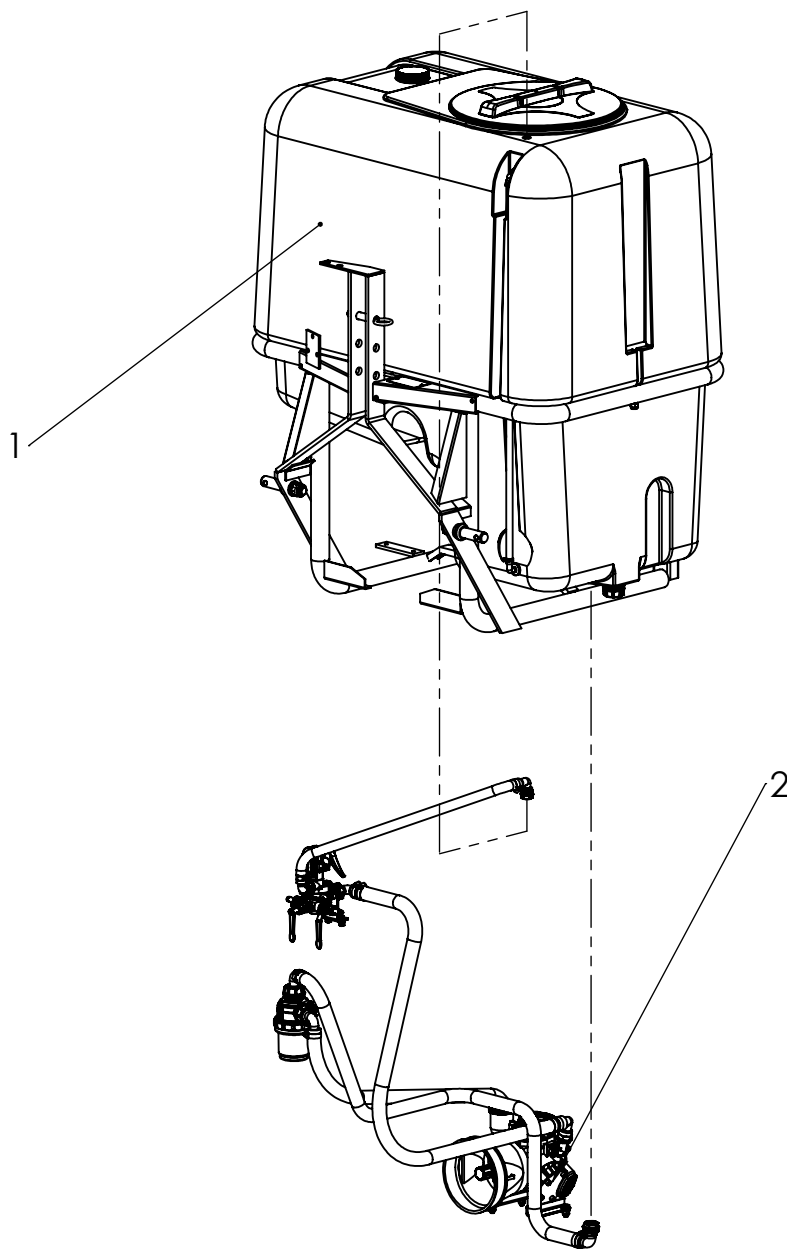


CARRAROSPRAY[®]
by O. C. L. L.

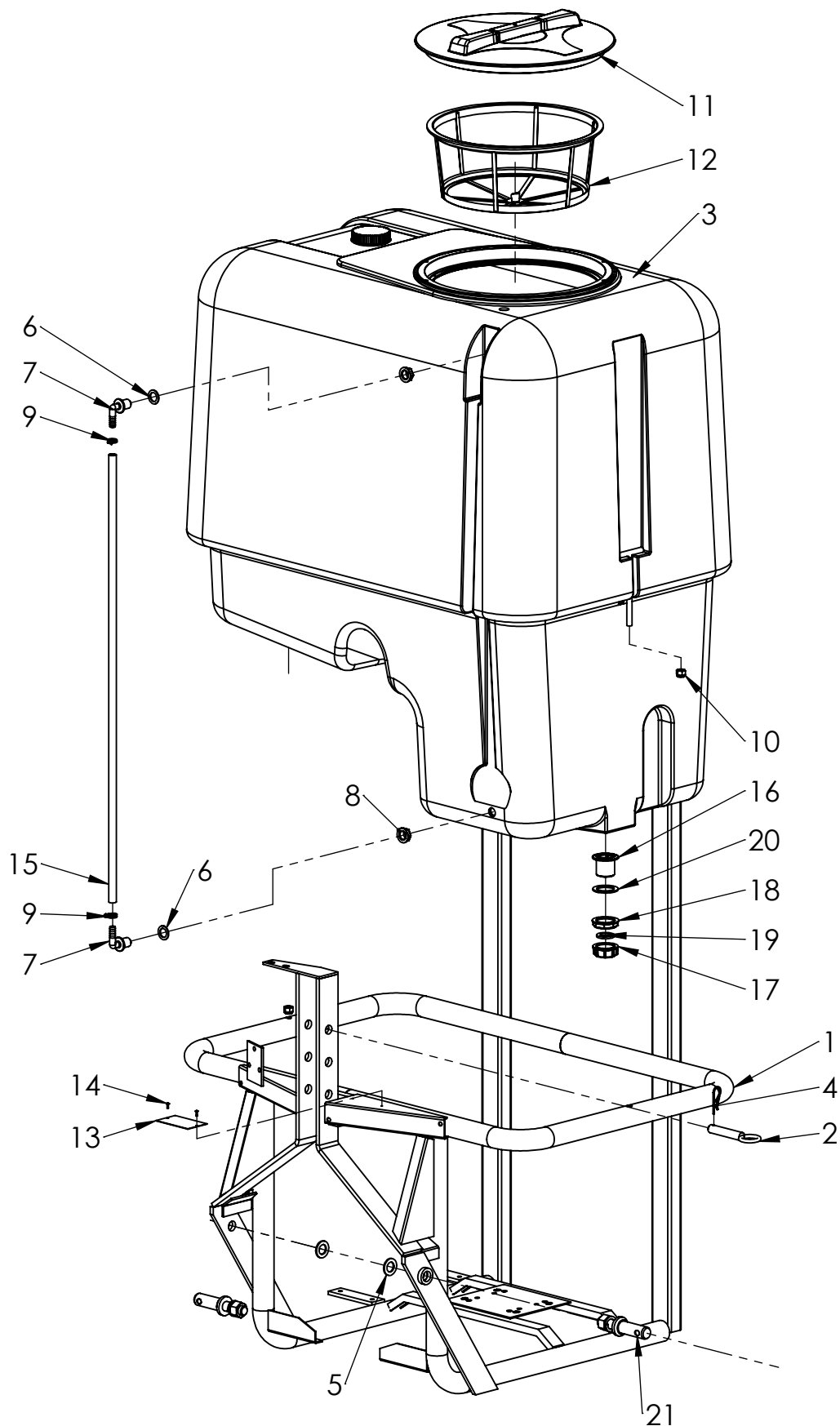
Spare Parts Catalogue
Manuale Pezzi di Ricambio

G-C600 AR403-GS20
Part nr. K002501





REF.	PART NR.	Q.TY	Description ENG
1	K002102	1	G-C600 MOUNTED SPRAYER LT.600
2	P000512	1	AR403/GS20 G-C600 D.13

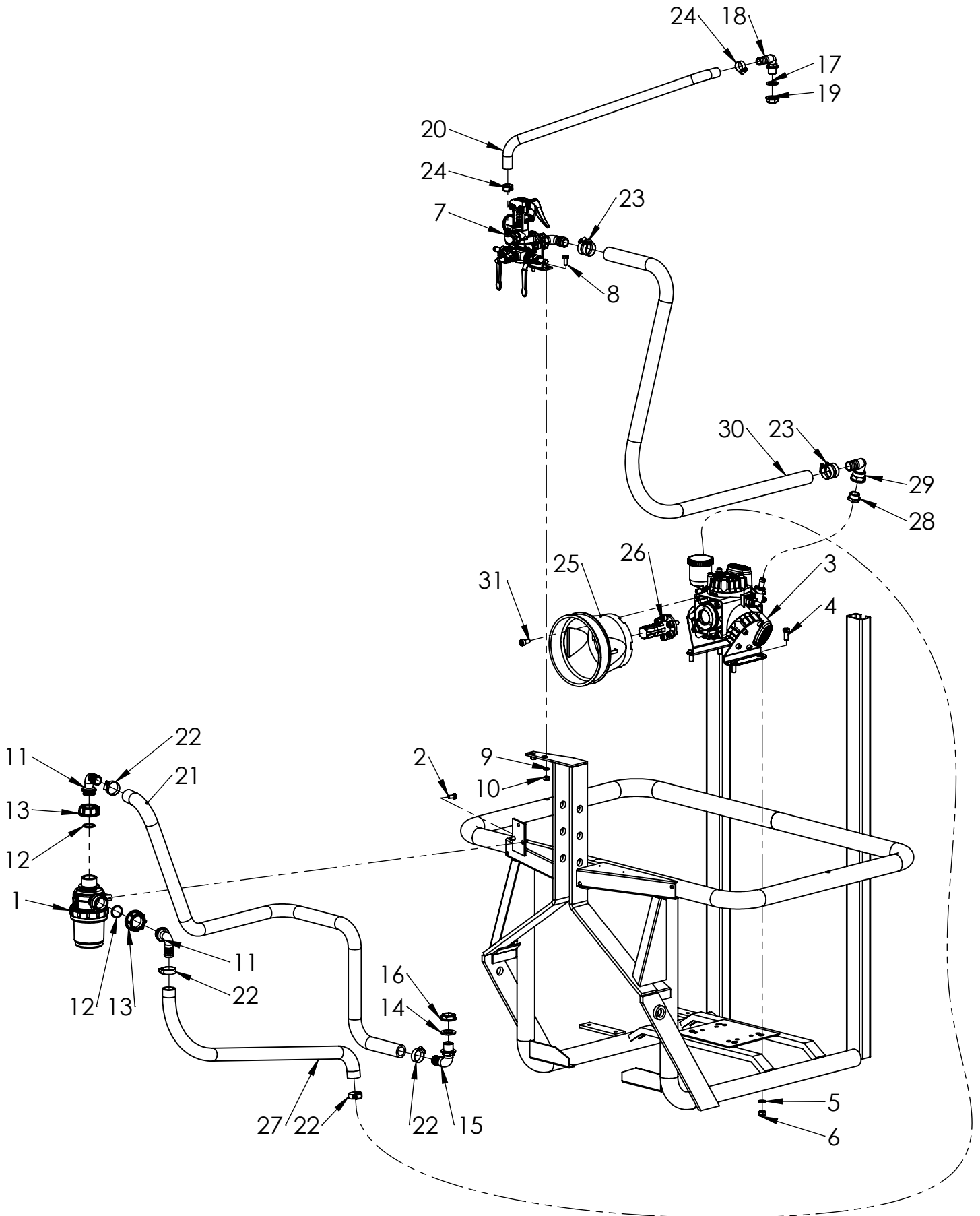


**K002102****G-C600 IRRORATORE PORTATO LT.600
G-C600 MOUNTED SPRAYER LT.600
G-C600 PULVERISATEUR PORTE' LT.600****TAV. 15-14**

Rev. 00

Date JUN-14

REF.	PART NR.	Q.TY	Description ENG
1	0102474	1	FRAME GC600 Z
2	0102244	1	PIN D.19
3	0600272	1	TANK MINNESOTA ATOM 600 L
4	2100001	1	PIN R 3
5	1800168	2	WASHER 23X39 UNI 6592 R 40 GALVANIZED
6	1700001	2	GASKET D.32x21x2
7	1400130	2	ELBOW FITTING D.13 1/2
8	TE8042151	2	EMBOUT 1/2"
9	1500030	2	CLAMP BIF. A SPRING 173 mm 16,8-17,7
10	1800191	2	NUT AUT. HIGH M12 GALVANIZED
11	AG3522060	1	TANK LID D.455
12	TE8159000	1	BASKET FOR COVER 455 H 180
13	2600009	1	SMALL LABEL REGISTER
14	1800480	2	RIVET TT AL 3x10
15	1600883	1	VIPLA CRYSTAL HOSE 12X17 L=1050
16	TE8050301	1	TANK OUTLET G 1" 1/4
17	TE8044301	1	THREADED BLANKING CAP 1" 1/4
18	TE8042301	1	RING NUT G 1" 1/4
19	1700011	1	GASKET D.40x25x4
20	1700015	1	GASKET 57,5X40X3
21	2100384	2	RACCORD PIN 28-22





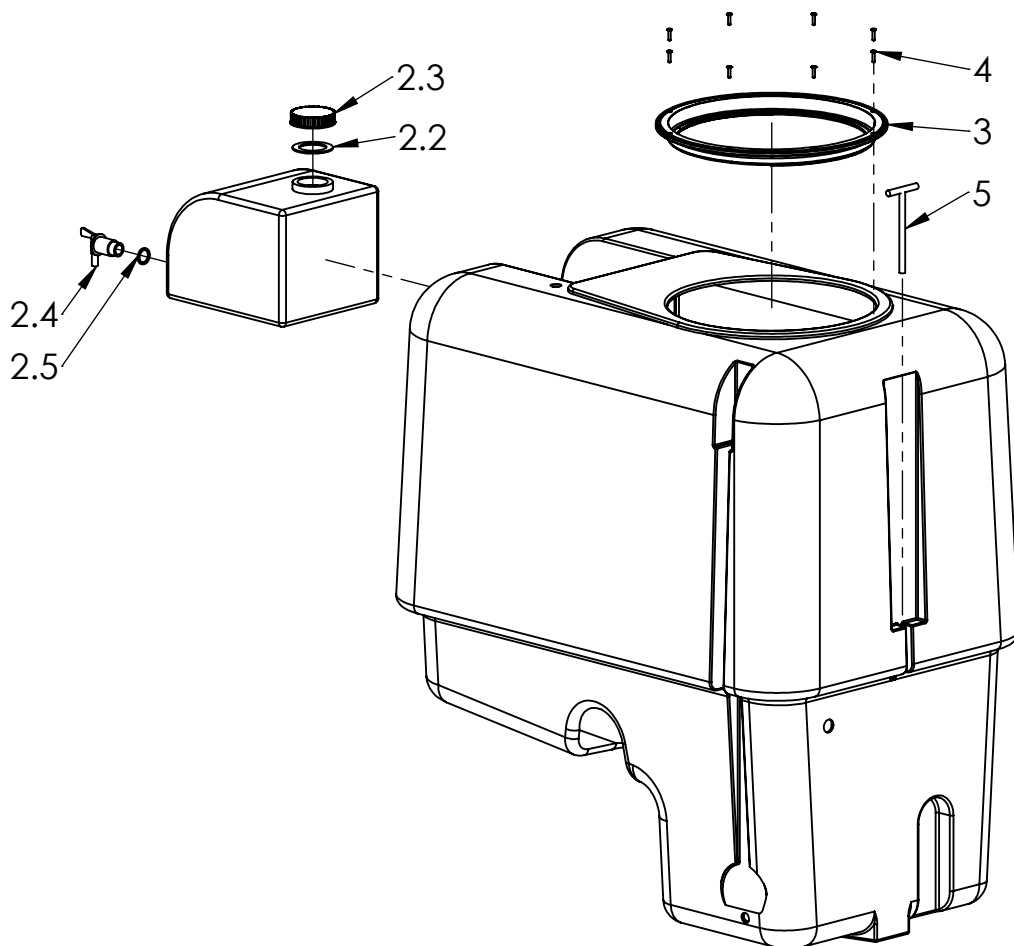
P000512

AR403/GS20 G-C600 RACCORDI D.13
AR403/GS20 G-C600 D.13
AR403/GS20 G-C600 D.13

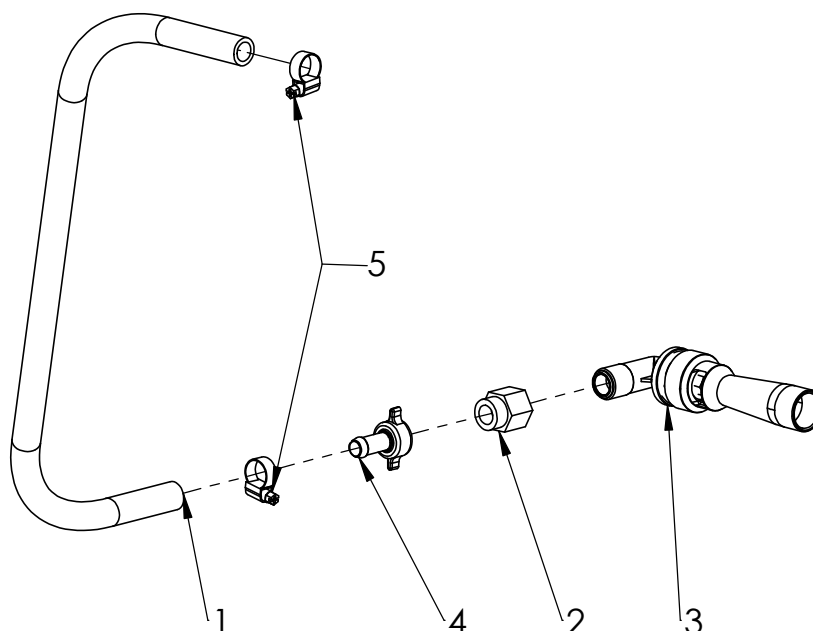
TAV. 14-14

Rev. 00
 Date JUN-14

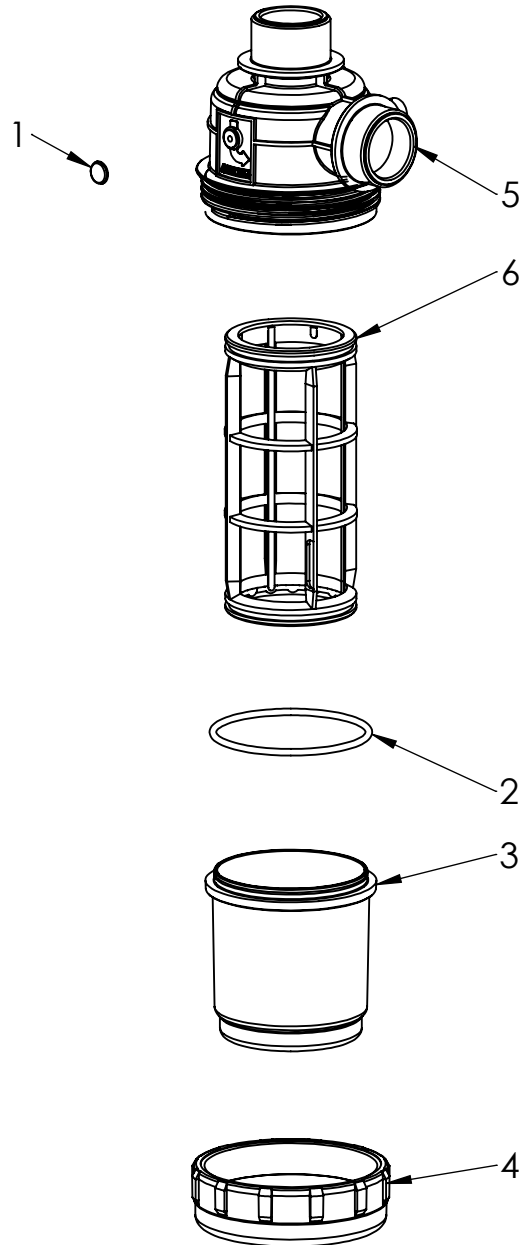
REF.	PART NR.	Q.TY	Description ENG
1	AG3122053	1	SUCTION FILTER 1"1/4 FC 50M
2	1800020	2	BOLT TE M 8X16 UNI 5739-8.8 GALVANIZED
3	AR460	1	PUMP AR403 SP SGC
4	1800036	4	BOLT TE M 10x25 UNI 5739 8.8 GALVANIZED
5	1800130	4	PLAIN WASHER UNI 6592 M.10 GALVANIZED
6	1800186	4	NUT AUT. HIGH CL.8 M 10 GALVANIZED
7	AR31274	1	PRESSURE REGULATOR GS20 3 WAYS D.13
8	1800021	2	BOLT TE UNI 5739 8.8 8X20 GALVANIZED
9	1800120	2	FLAT WASHER UNI 6592 M.8 GALVANIZED
10	1800180	2	NUT UNI 5587 CL. 8 M 8 GALVANIZED
11	TE8012301	2	90° HOSETAIL D. 25 FOR FLY NUT G1" 1/4
12	1700066	2	OR D.31x25x3
13	TE8040301	2	RING NUT 1" 1/4
14	1700011	1	GASKET D.40x25x4
15	TE8011203	1	90° HOSETAIL MALE THREAD D. 25 3/4"
16	TE8042201	1	RING NUT 3/4"
17	1700001	1	GASKET D.32x21x2
18	AG1132220	1	90° HOSETAIL MALE THREAD 1/2" D. 20
19	TE8042151	1	EMBOUT 1/2"
20	1601052	1	HOSE S D.20 L=1100
21	1601025	1	HOSE A D.25 L=1400
22	1500004	4	CLAMP W2 25-40/12
23	1500004	4	CLAMP W2 25-40/12
24	1500003	2	CLAMP W2 16-27/12
25	AR1498	1	CARDAN PROTECTION
26	AR1519	1	CARDAN JOINT "C" AR303
27	1600692	1	HOSE A D.25 L=1000
28	1300218	1	CYLINDRICAL ADAPTOR MF 449 3/4" 1/2"
29	TE8010203	1	90° HOSETAIL FEMALE THREAD D. 25 3/4"
30	1600706	1	HOSE 25x37 ROTARY DRILL 20 L=1600
31	1800034	4	BOLT TCEI UNI 5931 8.8 10x20 GALVANIZED



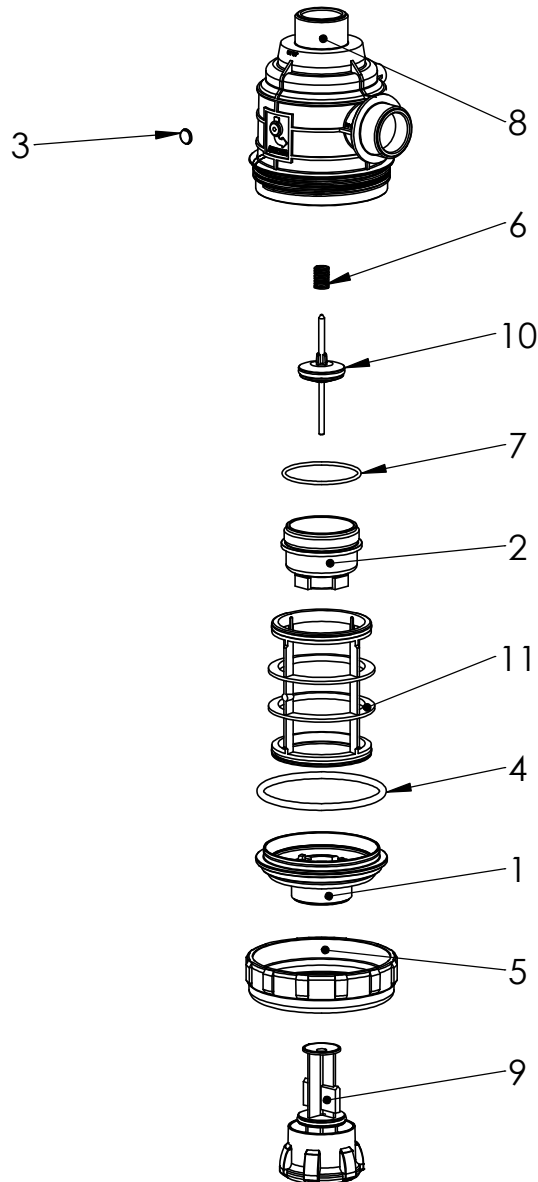
REF.	PART NR.	Q.TY	Description ENG
2	0600357	1	TANK HANDWASHING MINNESOTA ATOM
2.2	0600188	1	GASKET PLUG LC/LM
2.3	0600187	1	TANK PLUG LC/LM
2.4	0600190	1	HANDWASHING VALVE
2.5	0600191	1	GASKET VALVE
3	0600014	1	THREADED RING FOR LID D.455 - FLAT SURFACES
4	1800351	8	TEAR A RIVET 4,8X20 ALLUMINIUM
5	0600356	2	TIE ROD 90X80X100 H170



REF.	PART NR.	Q.TY	Description ENG
1	1600983	1	HOSE PVC 13X19 20 BAR L=1300
2	1300146	1	EXTENSION CYLINDRICAL MF 445 1/2" 1/2"
3	AG502010	1	CURVED HYDRAULIC AGITATOR D. 1,2
4	TE8304005	1	STRAIGHT HOSETAIL WITH FLY NUT D. 13 G 1/2"
5	1500052	2	CLAMP 12-20/9 HEAD 7



REF.	PART NR.	Q.TY	Description ENG
1	AG3102003.030	1	BLUE CAP 50M
2	AG454237.090	1	OR 3,53X78,97 4312 EPDM
3	AG3122000.020	1	SUCTION FILTER BOWL
4	AG310000.040	1	BACK NUT FOR FILTER "100-150"
5	AG3102050.010	1	SUCTION FILTER BODY 1"1/4 SHORT THREAD
6	AG3122003.030	1	FILTER ELEMENT 70X150 BLUE 50M



REF.	PART NR.	Q.TY	Description ENG
1	AG3132400.020	1	SUCTION FILTER BOWL 110 C/W VALVE
2	AG3142400.070	1	VALVE BODY FOR FILTER
3	AG3102003.012	1	BLUE CAP 50M
4	AG314000.050	1	OR 5,34X 91,44 6362 EPDM
5	AG314000.040	1	BACK NUT FOR FILTER "170"
6	AG314400.090	1	VALVE SPRING FOR FILTER "170"
7	AG460000.190	1	OR 2,62X 56,82 3225 EPDM
8	AG3142050.010	1	FILTER BODY 1"1/4 SHORT THREAD
9	AG3142400.060	1	COMPL. FILTER PLUG + VALVE
10	AG3132400.080	1	VALVE PLUNGER FOR FILTER "110"
11	AG3182003.030	1	FILTER ELEMENT 79X109 BLUE 50M



ed. 06/2014



O.C.L.L. SRL
Via Cornara, 40 - 35010 Villanova (PD) Italy
Tel. ++39.049.922.00.72 r.a. - Fax ++39.049.922.09.51
www.carrarospray.it - ocll@carrarospray.it

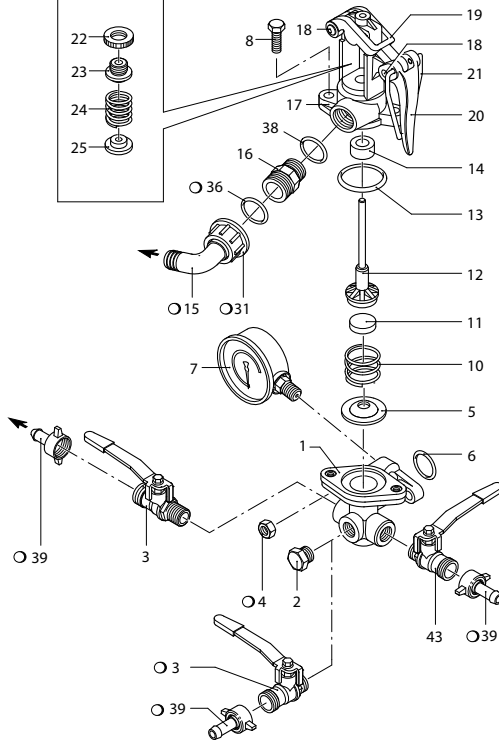
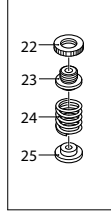
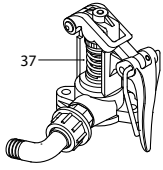


ANNOVIREVERBERI

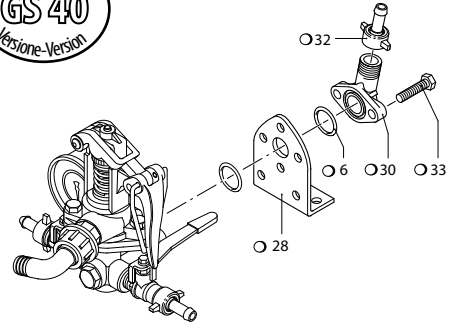
GI 40

628650

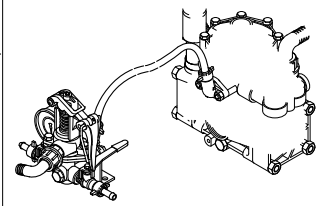
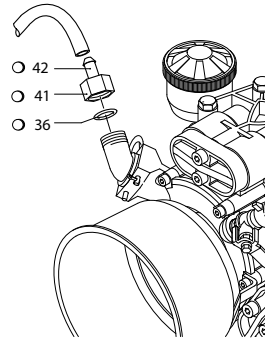
GI 40
Versione-Version



GS 40
Versione-Version



AR 503 - AR 713 - AR 813



Versione-Version
AR 30-50

104 - 1

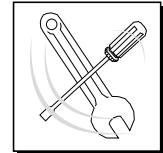
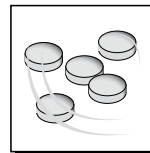
sp_gi40.pdf

SL000113-GY

Pos	Cod.	Descrizione	Description	Q.ty	Note
1	620220	Gruppo comando	Control unit	1	
2	130171	Tappo 3/8" G	Plug	1	C ₂₀
3	130491	Rubinetto 3/8" G - 1/2" G M-M DX	Cock	2	C ₂₀
4	390270	Dado M8	Nut	2	C ₂₀
5	450110	Sede	Seat	1	
6	550350	Guarnizione OR Ø 23,81X2,62	O-ring	2	
7	550545	Manometro	Pressure gauge	1	0-80 bar C
8	180370	Vite TE M8x25	Screw	2	C ₂₀
10	320420	Molla	Spring	1	
11	110121	Pastiglia	Plug	1	Vulkolan
11	110120	Pastiglia	Plug	1	Gomma
11	110122	Pastiglia	Plug	1	Viton
12	320433	Funghetto completo	Stem	1	
13	320511	Guarnizione OR Ø 37,8x4	O-ring	1	
14	390140	Guarnizione	Gasket	1	
14	390141	Guarnizione	Gasket	1	Viton
15	550460	Curva Ø 18	Elbow	1	o
16	550440	Raccordo 1/2" G - 3/4 G M-M	Fitting	1	
17	320410	Castello valvola	Body valve	1	
18	320480	Perno	Hub pin	2	
19	320460	Forcella	Fork	1	
20	320470	Leva	Lever	1	
21	320490	Supporto	Support	1	
22	320450	Piattello	Wobble plate	1	
23	320440	Ghiera	Ring nut	1	
24	110190	Molla	Spring	1	
25	230120	Piattello	Wobble plate	1	
28	320406	Staffa	Bracket	1	o
30	450145	Flangia	Flange	1	o
31	550450	Girello 3/4" G	Ring nut	1	o
32	110130	Girello 1/2"	Ring nut	1	o
33	160660	Vite TE M8x35	Screw	2	o C ₁₀
36	880830	Guarnizione OR Ø 15,54x2,62	O-ring	2	o
37	1923	Kit valvola regolazione	Valve kit adjustment	1	
38	180101	Guarnizione OR Ø 17,5x2	O-ring	1	
39	110131	Girello 1/2"	Ring nut	3	o
41	1040790	Girello 3/4" G	Ring nut	1	o
42	1150580	Portagomma Ø 13	Hose tail	1	o
43	130492	Rubinetto 3/8" G - 1/2" G M-M SX	Cock	1	C

o Non compreso nel GI 40 - No part of GI 40

sp_gi40.pdf



KIT 1921 Pastiglie gomma Buna valve seats		KIT 1922 Pastiglie Vulkolan Vulkolan valve seats	
Pos.	Q.ty	Pos.	Q.ty
11	5	11	5

KIT 1925 Pronto intervento Maintenance repair			
Pos.	Q.ty	Pos.	Q.ty
5	1		
10	1		
11	1		
12	1		
13	1		
14	1		

MI 99371

