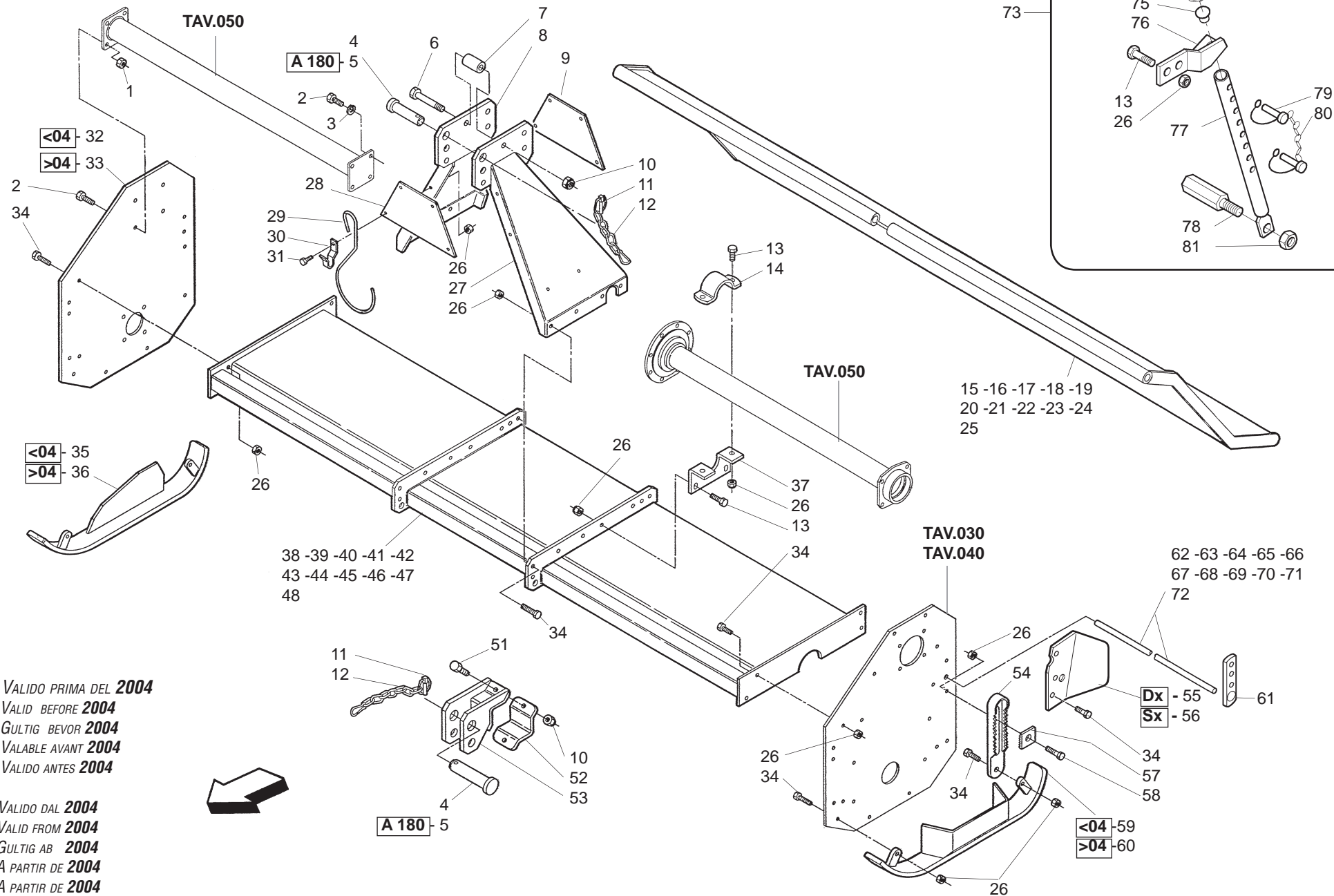


PARTI DI RICAMBIO
SPARE PARTS
PIECES DÉTACHÉES
ERSATZTEILE
PIEZAS DE REPUESTO

TAV. 10

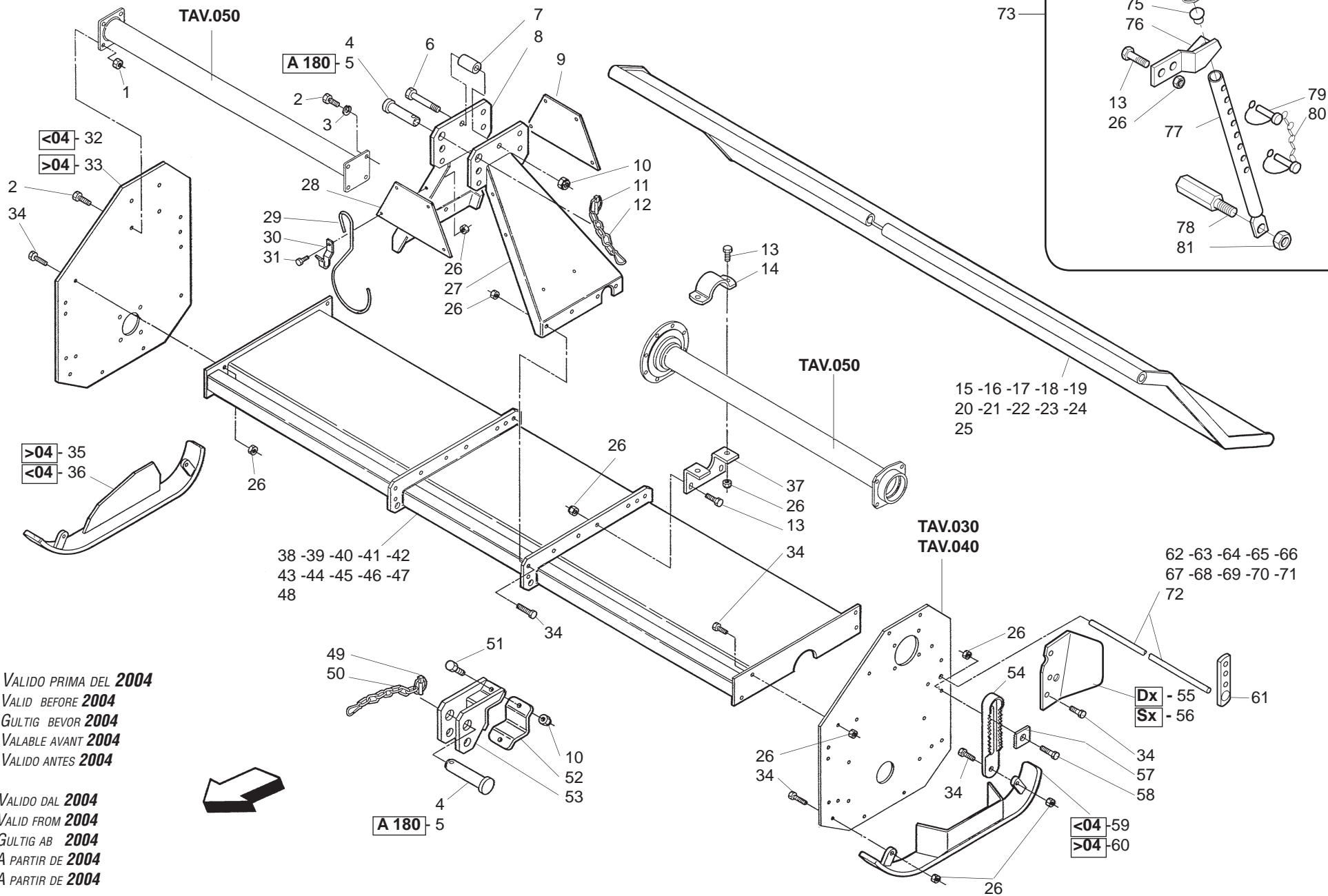


<04> VALIDO PRIMA DEL **2004**
 VALID BEFORE **2004**
 GULTIG BEVOR **2004**
 VALABLE AVANT **2004**
 VALIDO ANTES **2004**

>04> VALIDO DAL **2004**
 VALID FROM **2004**
 GULTIG AB **2004**
 A PARTIR DE **2004**
 A PARTIR DE **2004**

POS	CODICE	DESCRIZIONE	DESCRIPTION	DESCRIPTION	BENENNUNG	DESCRIPCION	TAV. 10
1	F01220034	DADO M10X1,25 D980 8 ZN	NUT M10X1,25 D980 8 ZN	ECRO.M10X1,25 D980 8 ZN	MUTT.M10X1,25 D980 8 ZN	TUER.M10X1,25 D980 8 ZN	
2	F01010244	VITE M10X1,25X25 U5740 8.8 ZN	BOLT M 10X1,25X25	VIS M 10X1,25X25	SCHRAUBE M 10X1,25X25	TORNILLO M 10X1,25X25	
3	F01480112	ROSET.GROWER M10 ZN EXTRA P.	GROWER WASHER D.10	RONDELLE GROWER D.10	SCHIBE GROWER D.10	ARANDELA GROWER D.10	
4	F20100049	SPINA GASPARD0 22X92 ZN	PIN D.22	GOUJON D.22	BOLZEN D.22	PERNO D.22	
5	F20100078	SPINA GASPARD0 28X99	PIN D.28	GOUJON D.28	BOLZEN D.28	PERNO D.28	
6	F01010125	VITE M16X1,5X100 U5738 10.9 ZD	BOLT M 16X1,5X100	VIS M16X1,5X100	SCHRAUBE M 16X1,5X100	TORNILLO M 16X1,5X100	
7	M40200515	BOCCOLA UNIONE 3 P.	BUSH 3 POINT	BAGUE 3EME POINT	BUECHSE DREIPUNKT	BRUJULA 3 PUNTO	
8	M70100585	COMP.3° PUNTO DX	DX 3RD POINT	3EME POINT DX	3. PUNKT DX	3 PUNTO DX	
9	M69100514	LAMIERA POST. RINFORZO 3°P.	REINFORCEMENT	RENFORCEMENT	VERSTAERKUNG	REFUERZO	
10	F01220070	DADO M16X 1,5 D980 8 ZN	NUT M16X 1,5 D980 8 ZN	ECRO.M16X 1,5 D980 8 ZN	MUTT.M16X 1,5 D980 8 ZN	TUER.M16X 1,5 D980 8 ZN	
11	F02200529	SPINA SCATTO D.11 ZN	SNAP PIN D.11 ZN	FICHE A DETENTE D.11 ZN	EINRASTSTIFT D.11 ZN	CLAVIJA DE MUELLE D.11 ZN	
12	M63112581	ASSIEME CATENELLA L.333 ZN	CHAIN	CHAINE	KETTE	CADENA	
13	F01010288	VITE M12X1,25X35 U5740 8.8 ZN	SCREW M12X1,25X35 U5740 8.8 ZN	VIS M12X1,25X35 U5740 8.8 ZN	SCHR.M12X1,25X35 U5740 8.8 ZN	TORN.M12X1,25X35 U5740 8.8 ZN	
14	M69100511	STAFFA SUPPORTO DISTANZIALI	LOCKING STIRRUP	ETRIER DE BLOCAGE	BLOCKIERUNGSBUEGEL	ESTRIBO BLOQUEO	
15	M69108520	COMP. LAMIERA LIV. A-E 80C	LEVELLING BONNET A-E 80C	CAPOT NIVELEUR A-E 80C	PLANIERHAUBE A-E 80C	PLANCHA NIVELADOR A-E 80C	
16	M69109520	COMP. LAMIERA LIV. A-E 90C	LEVELLING BONNET A-E 90C	CAPOT NIVELEUR A-E 90C	PLANIERHAUBE A-E 90C	PLANCHA NIVELADOR A-E 90C	
17	M69110520	COMP. LAMIERA LIV. A-E 100C	LEVELLING BONNET A-E 100C	CAPOT NIVELEUR A-E 100C	PLANIERHAUBE A-E 100C	PLANCHA NIVELADOR A-E 100C	
18	M69111520	COMP. LAMIERA LIV. A-E 110C	LEVELLING BONNET A-E 110C	CAPOT NIVELEUR A-E 110C	PLANIERHAUBE A-E 110C	PLANCHA NIVELADOR A-E 110C	
19	M69112520	COMP. LAMIERA LIV. A-E 120C	LEVELLING BONNET A-E 120C	CAPOT NIVELEUR A-E 120C	PLANIERHAUBE A-E 120C	PLANCHA NIVELADOR A-E 120C	
20	M69113520	COMP. LAMIERA LIV. A-E 130C	LEVELLING BONNET A-E 130C	CAPOT NIVELEUR A-E 130C	PLANIERHAUBE A-E 130C	PLANCHA NIVELADOR A-E 130C	
21	M69114520	COMP. LAMIERA LIV. A-E 140C	LEVELLING BONNET A-E 140C	CAPOT NIVELEUR A-E 140C	PLANIERHAUBE A-E 140C	PLANCHA NIVELADOR A-E 140C	
22	M69115520	COMP. LAMIERA LIV. A-E 150C	LEVELLING BONNET A-E 150C	CAPOT NIVELEUR A-E 150C	PLANIERHAUBE A-E 150C	PLANCHA NIVELADOR A-E 150C	
23	M69116520	COMP. LAMIERA LIV. A-E-H 160C	LEVELLING BONNET A-E-H 160C	CAPOT NIVELEUR A-E-H 160C	PLANIERHAUBE A-E-H 160C	PLANCHA NIVELADOR A-E-H 160C	
24	M69117520	COMP. LAMIERA LIV. A-E 170C	LEVELLING BONNET A-E 170C	CAPOT NIVELEUR A-E 170C	PLANIERHAUBE A-E 170C	PLANCHA NIVELADOR A-E 170C	
25	M69118520	COMP. LAMIERA LIV. A-E 180C	LEVELLING BONNET A-E 180C	CAPOT NIVELEUR A-E 180C	PLANIERHAUBE A-E 180C	PLANCHA NIVELADOR A-E 180C	
26	F01220047	DADO M12X1,25 D980 8 ZN	SELF LOCKING NUT M12X1,25 980V	ECROU AUTOBL. M12X1,25 980-V	SIEHE	DADO AUTOBL. M12X1,25 980-V	
27	M70100586	COMP.3° PUNTO SX	SX 3RD POINT	3EME POINT SX	3. PUNKT SX	3 PUNTO SX	
28	M69100513	LAMIERA ANT. RINFORZO 3°P.	REINFORCEMENT	RENFORCEMENT	VERSTAERKUNG	REFUERZO	
29	F20120400	GANCIO SOSTEGNO CARDANO	SHAFT HOOK	SUPPORT CARDAN	GELENKWELLE - HACKEN	SOPORTE CARDAN	
30	F20120401	FASCETTA FERMA CARDANO ZN	LOCK	ARRRET	BLOCKIERUNG	FAJA SEGURO DEL CARDAN	
31	F01010281	VITE M12X1,25X25 U5740 8.8 ZN	BOLT M 12X1,25X25	VIS M 12X1,25X25	SCHRAUBE M 12X1,25X25	TORNILLO M 12X1,25X25	
32	M69100508	FIANCATA LATO ESTERNO ALTA	EXTERNAL SIDE PANEL	COTE EXTERIEUR	AUSSENSEITENWAND	FLANCO LATO ESTERNO	
33	M69100546	FIANCATA LATO ESTERNO ALTA	EXTERNAL SIDE PANEL	COTE EXTERIEUR	AUSSENSEITENWAND	FLANCO LATO ESTERNO	
34	F01010283	VITE M12X1,25X30 U5740 8.8 ZN	BOLT M 12X1,25X30	VIS M 12X1,25X30	SCHRAUBE M 12X1,25X30	TORNILLO M 12X1,25X30	
35	M63100513	SLITTA LATO ESTERNO	EXTERNAL SIDE SKID	GLISSIERE COTE EXTERIEUR	GLEITKUFE AUSSENSEITE	TRINEO LATO ESTERNO	
36	M63100908	SLITTA LATO ESTERNO	EXTERNAL SIDE SKID	GLISSIERE COTE EXTERIEUR	GLEITKUFE AUSSENSEITE	TRINEO LATO ESTERNO	
37	M69100512	STAFFA SUPPORTO DISTANZIALI	SUPPORT	SUPPORT	HALTERUNG	SOPPORTE	
38	M69108557	COMPOSTO TELAIO "A 80C"	COMPLETE FRAME "A 80C"	CHASSIS COMPL. "A 80C"	KOMPL. RAHMEN "A 80C"	TELAR COMPL. "A 80C"	
39	M69109557	COMPOSTO TELAIO "A 90C"	COMPLETE FRAME "A 90C"	CHASSIS COMPL. "A 90C"	KOMPL. RAHMEN "A 90C"	TELAR COMPL. "A 90C"	
40	M69110557	COMPOSTO TELAIO "A 100C"	COMPLETE FRAME "A 100C"	CHASSIS COMPL. "A 100C"	KOMPL. RAHMEN "A 100C"	TELAR COMPL. "A 100C"	
41	M69111557	COMPOSTO TELAIO "A 110C"	COMPLETE FRAME "A 110C"	CHASSIS COMPL. "A 110C"	KOMPL. RAHMEN "A 110C"	TELAR COMPL. "A 110C"	
42	M69112557	COMPOSTO TELAIO "A 120C"	COMPLETE FRAME "A 120C"	CHASSIS COMPL. "A 120C"	KOMPL. RAHMEN "A 120C"	TELAR COMPL. "A 120C"	
43	M69113557	COMPOSTO TELAIO "A 130C"	COMPLETE FRAME "A 130C"	CHASSIS COMPL. "A 130C"	KOMPL. RAHMEN "A 130C"	TELAR COMPL. "A 130C"	
44	M69114557	COMPOSTO TELAIO "A 140C"	COMPLETE FRAME "A 140C"	CHASSIS COMPL. "A 140C"	KOMPL. RAHMEN "A 140C"	TELAR COMPL. "A 140C"	
45	M69115557	COMPOSTO TELAIO "A 150C"	COMPLETE FRAME "A 150C"	CHASSIS COMPL. "A 150C"	KOMPL. RAHMEN "A 150C"	TELAR COMPL. "A 150C"	
46	M69116557	COMPOSTO TELAIO "A 160C"	COMPLETE FRAME "A 160C"	CHASSIS COMPL. "A 160C"	KOMPL. RAHMEN "A 160C"	TELAR COMPL. "A 160C"	
47	M69117557	COMPOSTO TELAIO "A 170C"	COMPLETE FRAME "A 170C"	CHASSIS COMPL. "A 170C"	KOMPL. RAHMEN "A 170C"	TELAR COMPL. "A 170C"	
48	M69118557	COMPOSTO TELAIO "A 180C"	COMPLETE FRAME "A 180C"	CHASSIS COMPL. "A 180C"	KOMPL. RAHMEN "A 180C"	TELAR COMPL. "A 180C"	
51	F01010339	VITE M16X1,5X 40 U5740 8.8 ZN	BOLT M 16X1,5X40	VIS M 16X1,5X40	SCHRAUBE M 16X1,5X40	TORNILLO M 16X1,5X40	
52	M63100518	STAFFA ATTACCO BARRE	U BOLT	BLOCAGE	U BOLZEN	BLOQUEO	
53	M63100516	COMPOSTO ATTACCO BARRE D.28	STIRRUP	ATTELAGE BARRE	SCHUTZHOLM VERBINDUNG	ATAQUE BARRA	
54	M63100520	REGISTRO SLITTA	SKID ADJUSTER	REGISTRE GLISSIERE	GLEITLAGERREGULIERUNG	REGISTRO TRINEO	
55	M63100912	PROLUNGA FIANCATA DX V.SLITTE	SIDE PROTECTION RH	PROTECTION LATER.ARRIERE DR	HINTERE SCHUETZUNG RECHTS	PROTECCION TRASERA DER.	
56	M63100913	PROLUNGA FIANCATA SX V.SLITTE	SIDE PROTECTION LH	PROTECTION LATER.ARRIERE GAU.	HINTERE SCHUETZUNG LINKS	PROTECCION TRASERA IZQ.	
57	M01110532	PIASTRINA REGISTRO SLITTE	ADJUSTER TOOTHED PLATE	PLAQUETTE DE REGISTRE GLISSIER	REGULIERUNGSPLATTE	PLAQUITA REGISTRO TRINEO	
58	F01010057	VITE M12X1,25X60 U5738 8.8 ZN	BOLT M 12X1,25X60	VIS M 12X1,25X60	SCHRAUBE M 12X1,25X60	TORNILLO M 12X1,25X60	

TAV. 010



<04 VALIDO PRIMA DEL 2004
VALID BEFORE 2004
GULTIG BEVOR 2004
VALABLE AVANT 2004
VALIDO ANTES 2004

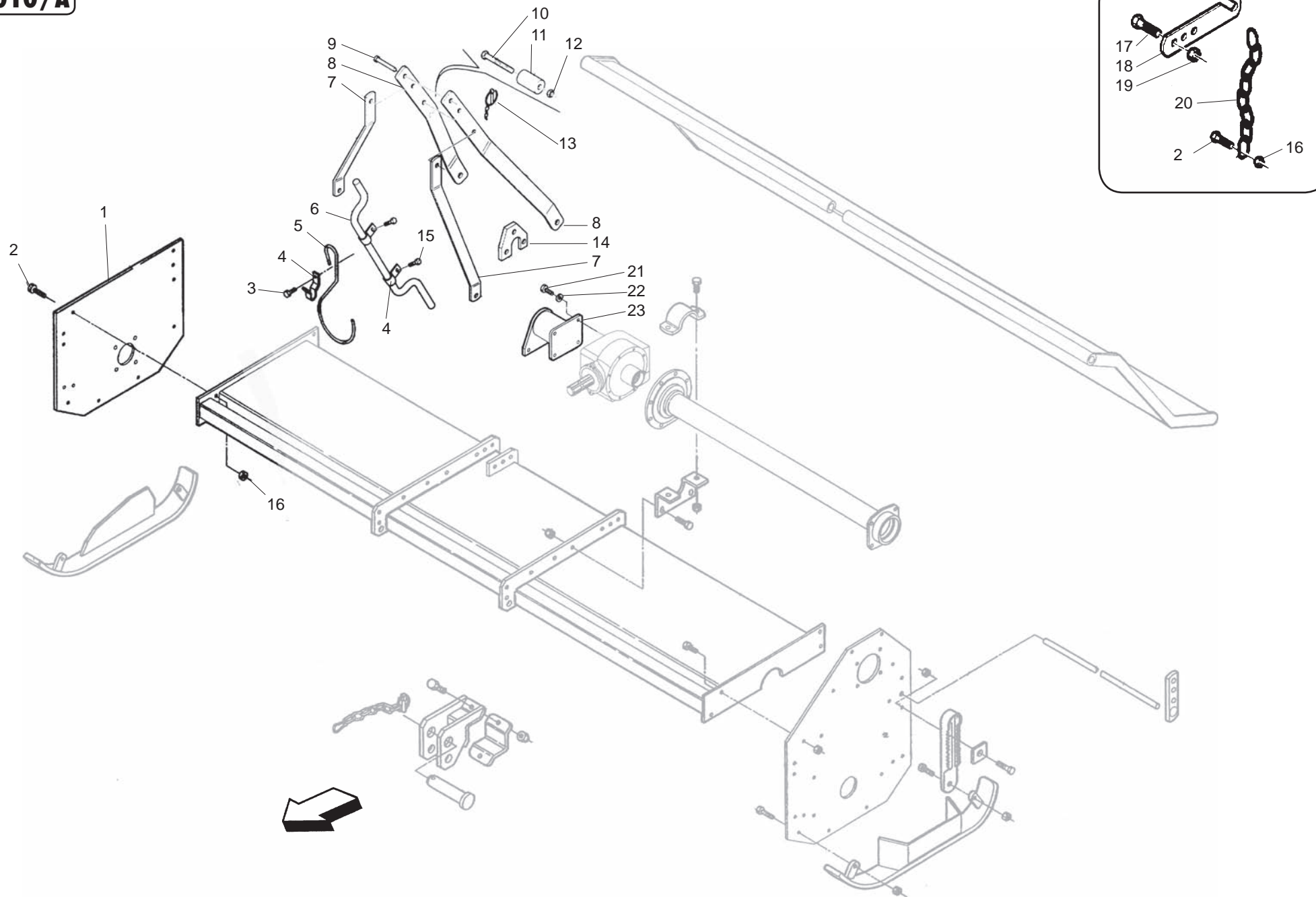
>04 VALIDO DAL 2004
VALID FROM 2004
GULTIG AB 2004
A PARTIR DE 2004
A PARTIR DE 2004



POS	CODICE	DESCRIZIONE	DESCRIPTION	DESCRIPTION	BENENNUNG	DESCRIPCION
59	M63100512	SLITTA LATO TRASMISSIONE	CHAIN SIDE SKID	GLISSIERE COTE CHAINE	GLEITKUFE KETTENSEITE	TRINEO LADO CADENA
60	M63100907	SLITTA LATO TRASMISSIONE	CHAIN SIDE SKID	GLISSIERE COTE CHAINE	GLEITKUFE KETTENSEITE	TRINEO LADO CADENA
61	M66100778	PIATTO DI FERMO"L' ZN	LOCKING STIRRUP	ETRIER DE BLOCAGE	BLOCKIERUNGSBUEGEL	ESTRIBO BLOQUEO
62	M63108538	PERNO CERNIERA X LAM. LIV. 80	HINGE PIN LEVELLING PLATE 80	GOUJON CHARN. CAPOT NIV. 80	SCH.BOLZEN PLANIERHAUBE 80	PERNO CHARN. PLANCHA NIV. 80
63	M63109538	PERNO CERNIERA X LAM. LIV. 90	HINGE PIN LEVELLING PLATE 90	GOUJON CHARN. CAPOT NIV. 90	SCH.BOLZEN PLANIERHAUBE 90	PERNO CHARN. PLANCHA NIV. 90
64	M63110538	PERNO CERNIERA X LAM. LIV. 100	HINGE PIN LEVELLING PLATE 100	GOUJON CHARN. CAPOT NIV. 100	SCH.BOLZEN PLANIERHAUBE 100	PERNO CHARN. PLANCHA NIV. 100
65	M63111538	PERNO CERNIERA X LAM. LIV. 110	HINGE PIN LEVELLING PLATE 110	GOUJON CHARN. CAPOT NIV. 110	SCH.BOLZEN PLANIERHAUBE 110	PERNO CHARN. PLANCHA NIV. 110
66	M63112538	PERNO CERNIERA X LAM. LIV. 120	HINGE PIN LEVELLING PLATE 120	GOUJON CHARN. CAPOT NIV. 120	SCH.BOLZEN PLANIERHAUBE 120	PERNO CHARN. PLANCHA NIV. 120
67	M63113538	PERNO CERNIERA X LAM. LIV. 130	HINGE PIN LEVELLING PLATE 130	GOUJON CHARN. CAPOT NIV. 130	SCH.BOLZEN PLANIERHAUBE 130	PERNO CHARN. PLANCHA NIV. 130
68	M63114538	PERNO CERNIERA X LAM. LIV. 140	HINGE PIN LEVELLING PLATE 140	GOUJON CHARN. CAPOT NIV. 140	SCH.BOLZEN PLANIERHAUBE 140	PERNO CHARN. PLANCHA NIV. 140
69	M63115538	PERNO CERNIERA X LAM. LIV. 150	HINGE PIN LEVELLING PLATE 150	GOUJON CHARN. CAPOT NIV. 150	SCH.BOLZEN PLANIERHAUBE 150	PERNO CHARN. PLANCHA NIV. 150
70	M63116538	PERNO CERNIERA X LAM. LIV. 160	HINGE PIN LEVELLING PLATE 160	GOUJON CHARN. CAPOT NIV. 160	SCH.BOLZEN PLANIERHAUBE 160	PERNO CHARN. PLANCHA NIV. 160
71	M63117538	PERNO CERNIERA X LAM. LIV. 170	HINGE PIN LEVELLING PLATE 170	GOUJON CHARN. CAPOT NIV. 170	SCH.BOLZEN PLANIERHAUBE 170	PERNO CHARN. PLANCHA NIV. 170
72	M63118538	PERNO CERNIERA X LAM. LIV. 180	HINGE PIN LEVELLING PLATE 180	GOUJON CHARN. CAPOT NIV. 180	SCH.BOLZEN PLANIERHAUBE 180	PERNO CHARN. PLANCHA NIV. 180
73	M63192303	COMP.PREM.ANTIRIBALTAM.H-A	ASSY AGAINST OVERTURNING	ENSEMBLE CONTRE RENVERSEMENT	SATZ GEGEN UMKIPPEN	COMPUESTO ANTI-VUELCO
74	M63100564	MOLLA MARTINETTO LAMIERA ZN	SPRING	RESSORT	FEDER	MUELLE
75	F05100015	TAPPO AD ALETTA D=22 PLT NERO	CAP	BOUCHON	DECKEL	CORCHO
76	M63100566	PIATTO SUPP. MART. LAMIERE ZN	SUPPORT	SUPPORT	HALTER	SOPORTE
77	M73100537	TUBO=21,3 S=2,6 L=565 ZN	HAND JACK TUBE	TUBE DU VERIN	SPINDELVERSTELLUNGROHR	TUBO MARTINETE
78	M41100514	PERNO D=ESAG.22 L=145 ZG	PIN	GOUJON	BOLZEN	PERNO
79	F02200562	SPINA SICUR. D. 8X70 ZN	SPLIT PIN D.8X70 ZN	GOUPILLE D.8X70 ZN	BOLZEN D.8X70 ZN	PERNO D.8X70 ZN
80	M63112581	ASSIEME CATENELLA L.333 ZN	CHAIN	CHAINE	KETTE	CADENA
81	F01220059	DADO M14X 1,5 D980 8 ZN	NUT M14X 1,5 D980 8 ZN	ECROU M14X 1,5 D980 8 ZN	MUTTER M14X 1,5 D980 8 ZN	TUERCA M14X 1,5 D980 8 ZN

TAV. 010

TAV.010/A



POS CODICE

DESCRIZIONE

DESCRIPTION

DESCRIPTION

BENENNUNG

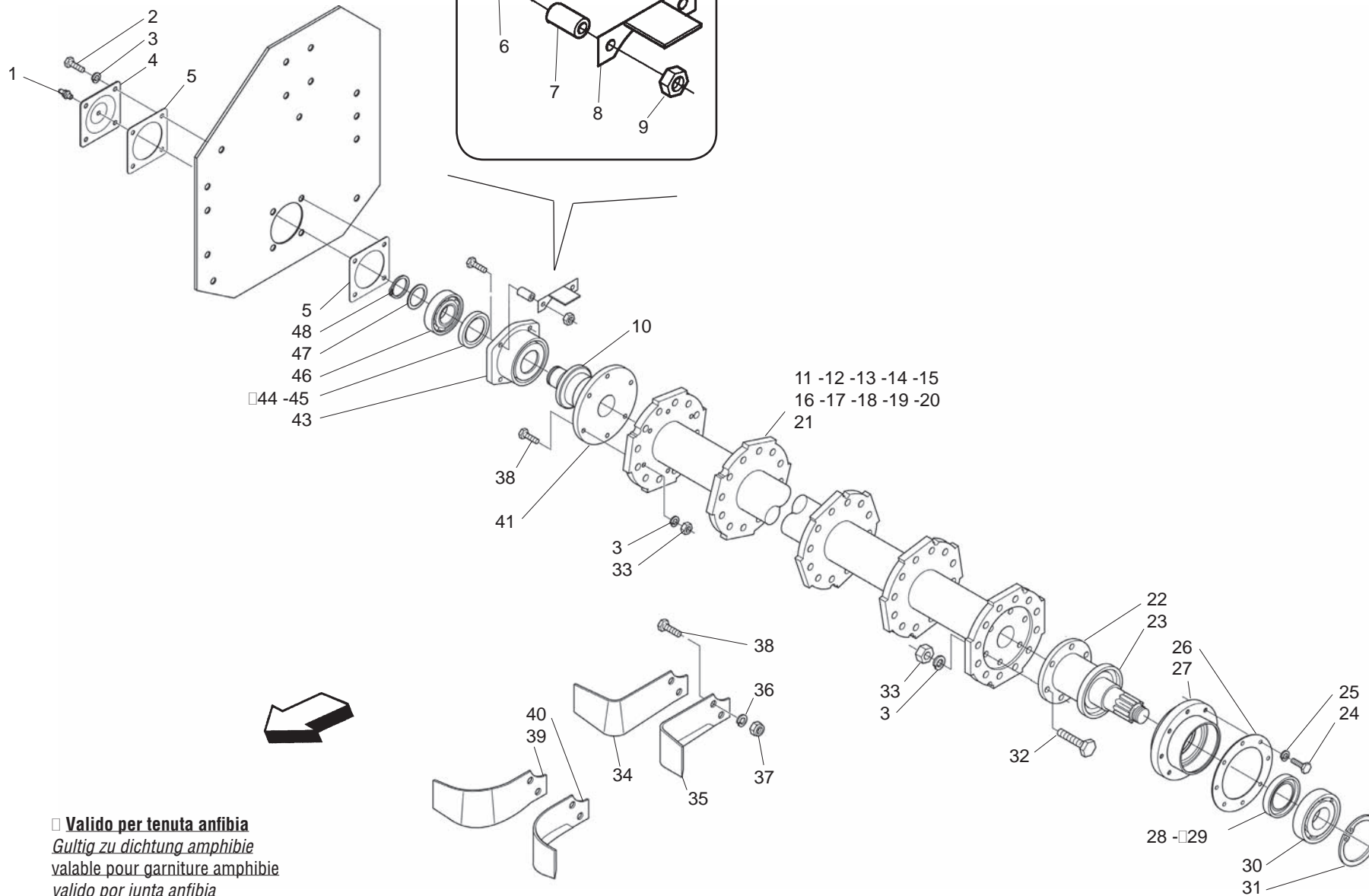
DESCRIPCION

TAV.010/A

1	M69100547	FIANCATA LATO ESTERNO BASSA	EXTERNAL SIDE PANEL	COTE EXTERIEUR	AUSSENSEITENWAND	FLANCO LADO EXTERNO
2	F01010283	VITE M12X1,25X30 U5740 8.8 ZN	BOLT M 12X1,25X30	VIS M 12X1,25X30	SCHRAUBE M 12X1,25X30	TORNILLO M 12X1,25X30
3	F01010281	VITE M12X1,25X25 U5740 8.8 ZN	BOLT M 12X1,25X25	VIS M 12X1,25X25	SCHRAUBE M 12X1,25X25	TORNILLO M 12X1,25X25
4	F20120401	FASCETTA FERMA CARDANO ZN	LOCK	ARRET	BLOCKIERUNG	FAJA SEGURO DEL CARDÁN
5	F20120400	GANCIO SOSTEGNO CARDANO	SHAFT HOOK	SUPPORT CARDAN	GELENKWELLE - HACKEN	SOPORTE CARDAN
6	M69100554	ASTA ANTIRIBALTAMENTO	ASSY AGAINST OVERTURNING	BARRE CONTRE RENVERSEMENT	SATZ GEGEN UMKIPPEN	COMPUESTO ANTI-VUELCO
7	M69100551	PIATTO ANT. 3. PUNTO "AL-EL"	FRONT BRACKETS	BARRE ANTERIEURE	VORDERSTANGE	ASTA ANTERIOR
8	M69100550	PIATTO ATTACCO 3 PUNTO "AL-EL"	FRONT BRACKETS	BARRE ANTERIEURE	VORDERSTANGE	ASTA ANTERIOR
9	F20100063	PERNO D25 L113 C40 ZN	PIN GASPARDO D25 L113 C40	PIVOT GASPARDO D25 L113 C40	BOLZEN GASPARDO D25 L113 C40	PERNO GASPARDO D25 L113 C40
10	F01010125	VITE M16X1,5X100 U5738 10.9 ZD	BOLT M 16X1,5X100	VIS M16X1,5X100	SCHRAUBE M 16X1,5X100	TORNILLO M 16X1,5X100
11	M40200515	BOCCOLA UNIONE 3 P.	BUSH 3 POINT	BAGUE 3EME POINT	BUECHSE DREIPUNKT	BRUJULA 3 PUNTO
12	F01220070	DADO M16X 1,5 D980 8 ZN	NUT M16X 1,5 D980 8 ZN	ECRO.M16X 1,5 D980 8 ZN	MUTT.M16X 1,5 D980 8 ZN	TUER.M16X 1,5 D980 8 ZN
13	F02200529	SPINA SCATTO D.11 ZN	SNAP PIN D.11 ZN	FICHE A DETENTE D.11 ZN	EINRASTSTIFT D.11 ZN	CLAVIJA DE MUELLE D.11 ZN
14	M69100552	PIATTO ATTACCO 3. PUNTO "A-E"	REAR SUPPORT 3RD POINT	BARRE	HINTERSTANGE 3. PUNKT	ASTA POSTERIOR 3 PUNTO
15	F01010288	VITE M12X1,25X35 U5740 8.8 ZN	SCREW M12X1,25X35 U5740 8.8 ZN	VIS M12X1,25X35 U5740 8.8 ZN	SCHR.M12X1,25X35 U5740 8.8 ZN	TORN.M12X1,25X35 U5740 8.8 ZN
16	F01220047	DADO M12X1,25 D980 8 ZN	SELF LOCKING NUT M12X1,25 980V	ECROU AUTOBL. M12X1,25 980-V	SIEHE	DADO AUTOBL. M12X1,25 980-V
17	F01010319	VITE M14X1,5 X45 U5740 8.8 ZN	BOLT M14X 1,5X 45 U5740 8.8 ZN	VIS M14X1,5 X45 U5740 8.8 ZN	SCH. M14X1,5 X45 U5740 8.8 ZN	TORNILLO M14X1,5 X45 U5740 8.8
18	M71100530	PIATTO ATTACCO CATENA	CHAIN ATTACH.	ATTELAGE CHAINE	KETTENVERBINDUNG	ATAQUE
19	F01220059	DADO M14X 1,5 D980 8 ZN	NUT M14X 1,5 D980 8 ZN	ECROU M14X 1,5 D980 8 ZN	MUTTER M14X 1,5 D980 8 ZN	TUERCA M14X 1,5 D980 8 ZN
20	M29100557	CAT.PER LAM.L.TIPO E L380 8 M.	TRAILING SHIELD CHAIN	CHAINE CAPOT NIVELEUR	PLANIERHAUBE KETTE	CADENA PLANCHA NIVELADOR
21	F01010244	VITE M10X1,25X25 U5740 8.8 ZN	BOLT M 10X1,25X25	VIS M 10X1,25X25	SCHRAUBE M 10X1,25X25	TORNILLO M 10X1,25X25
22	F01480112	ROSET.GROWER M10 ZN EXTRA P.	GROWER WASHER D.10	RONDELLE GROWER D.10	SCHIBE GROWER D.10	ARANDELA GROWER D.10
23	M69100540	DISTANZ.L.E. L=93 VER.FRUTTETO	STIRRUP	ETRIER D'ATTELAGE	VERBINDUNGSBUEGEL	ESTRIBO ATAQUE

TAV.020

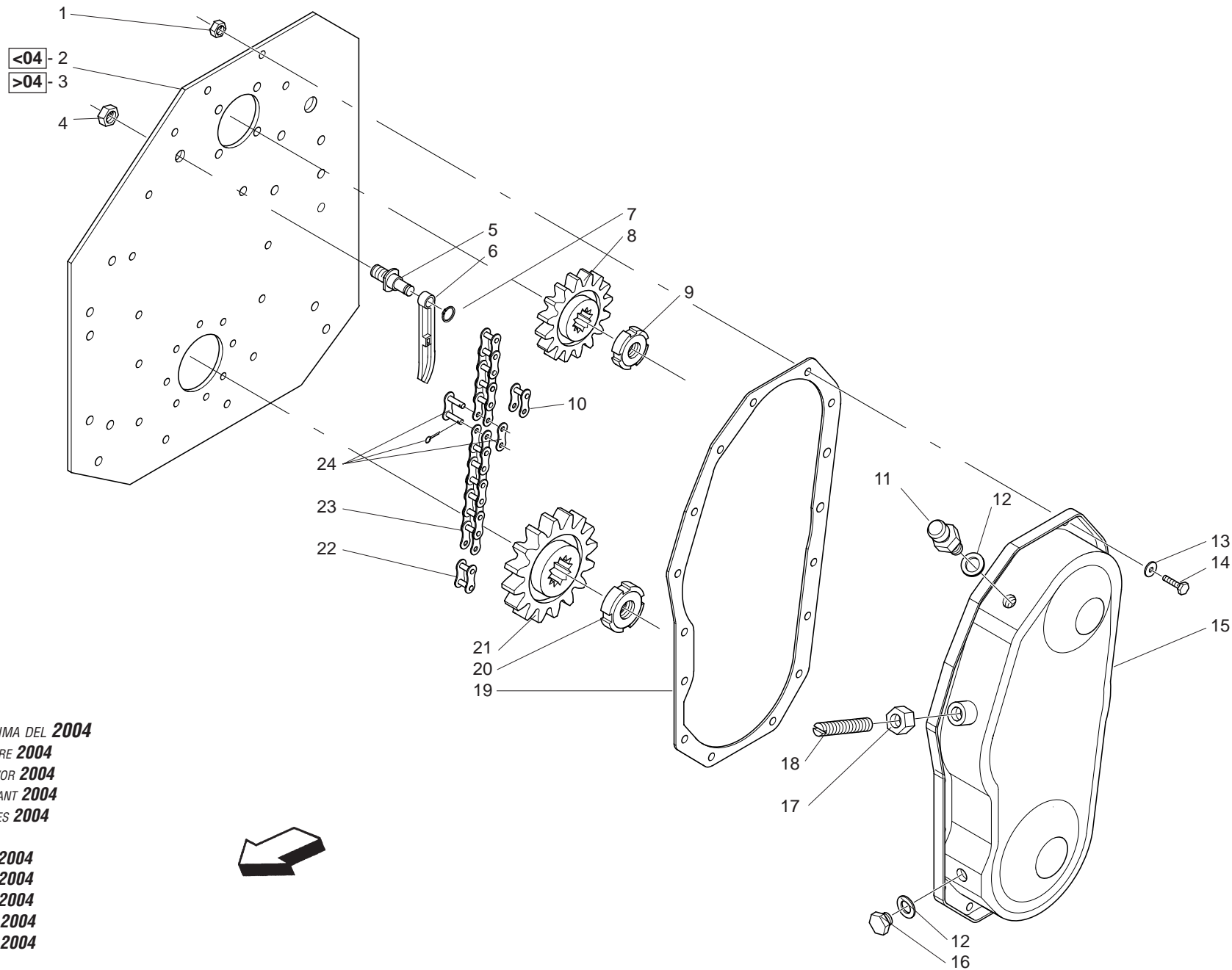
KIT (OPTIONAL)



Valido per tenuta anfibia
Gultig zu dichtung amphibie
valable pour garniture amphibie
valido por junta anfibia
 valid for water proof seal

POS	CODICE	DESCRIZIONE	DESCRIPTION	DESCRIPTION	BENENNUNG	DESCRIPCION
1	F01100048	ING.M 8X1,25 7663A 9SMNPB28 ZN	SPHERE NIPPLE M8X 1,25 A	GRAISSEUR A BILLES M8 X 1-25 A	KUGELFETTBSCHSE M8 X 1-25 A	ENGRAS. DE ESFERAS M8 X 1-25 A
2	F01010250	VITE M10X1,25X30 U5740 8.8 ZN	BOLT M10X1,25X30 U5740 8.8 ZN	VIS M10X1,25X30 U5740 8.8 ZN	SCHR.M10X1,25X30 U5740 8.8 ZN	TORN.M10X1,25X30 U5740 8.8 ZN
3	F01480112	ROSET.GROWER M10 ZN EXTRA P.	GROWER WASHER D.10	RONDELLE GROWER D.10	SCHEIBE GROWER D.10	ARANDELA GROER D.10
4	M63100539	COPERCHIO SUPP. LATO ESTERNO	COVER	COUVERCLE	DECKEL	TAPA
5	M19100438	GUARN.SUPP.ROT.LATO FIANCATA	GASKET SUPPORT ROTOR	JOINT SUPPORT ROTOR	HALTERDICHTUNG ROTOR	JUNTA SOPORTE ROTOR
6	F01010265	VITE M10X1,25X 80 5740 8.8 BR	BOLT M 10X1,25X80	VIS M 10X1,25X80	SCHRAUBE M 10X1,25X80	TORNILLO M 10X1,25X80
7	M19100837	DISTANZ. RASCH. ANTIERBA ZN	SPACER	ENTRETOISE	DISTANZSTUECK	DISTANCIADOR
8	M19100813	RASCHIETTO ANTIERBA A-E	GRASS SCAPER	DECROTTOIR HERBE	GRAS-ABSTREIFFER	DISPOSITIVO ANTI-HIERBA
9	F01220034	DADO M10X1,25 D980 8 ZN	NUT M10X1,25 D980 8 ZN	ECRO.M10X1,25 D980 8 ZN	MUTT.M10X1,25 D980 8 ZN	TUER.M10X1,25 D980 8 ZN
10	M34100409	COPRIPOLVERE LATO ESTERNO	DUST-COVER	PARA-POUSSIERE	STAUBSCHUTZ	PARAPOLVO
11	M19108411	ROTORE PORTA ZAPPE 80	BLADES HOLDER ROTOR 80	ROTOR PORTE COUTEAUX 80	MESSERHALTERROTOR 80	ROTOR PORTA-AZADAS 80
12	M19109411	ROTORE PORTA ZAPPE 90	BLADES HOLDER ROTOR 90	ROTOR PORTE COUTEAUX 90	MESSERHALTERROTOR 90	ROTOR PORTA-AZADAS 90
13	M19110411	ROTORE PORTA ZAPPE 100	BLADES HOLDER ROTOR 100	ROTOR PORTE COUTEAUX 100	MESSERHALTERROTOR 100	ROTOR PORTA-AZADAS 100
14	M19111411	ROTORE PORTA ZAPPE 110	BLADES HOLDER ROTOR 110	ROTOR PORTE COUTEAUX 110	MESSERHALTERROTOR 110	ROTOR PORTA-AZADAS 110
15	M19112411	ROTORE PORTA ZAPPE 120	BLADES HOLDER ROTOR 120	ROTOR PORTE COUTEAUX 120	MESSERHALTERROTOR 120	ROTOR PORTA-AZADAS 120
16	M19113411	ROTORE PORTA ZAPPE 130	BLADES HOLDER ROTOR 130	ROTOR PORTE COUTEAUX 130	MESSERHALTERROTOR 130	ROTOR PORTA AZADAS 130
17	M19114411	ROTORE PORTA ZAPPE 140	BLADES HOLDER ROTOR 140	ROTOR PORTE COUTEAUX 140	MESSERHALTERROTOR 140	ROTOR PORTA-AZADAS 140
18	M19115411	ROTORE PORTA ZAPPE 150	BLADES HOLDER ROTOR 150	ROTOR PORTE COUTEAUX 150	MESSERHALTERROTOR 150	ROTOR PORTA AZADAS 150
19	M19116411	ROTORE PORTA ZAPPE 160	BLADES HOLDER ROTOR 160	ROTOR PORTE COUTEAUX 160	MESSERHALTERROTOR 160	ROTOR PORTA-AZADAS 160
20	M19117411	ROTORE PORTA ZAPPE 170	BLADES HOLDER ROTOR 170	ROTOR PORTE COUTEAUX 170	MESSERHALTERROTOR 170	ROTOR PORTA-AZADAS 170
21	M19118411	ROTORE PORTA ZAPPE 180	BLADES HOLDER ROTOR 180	ROTOR PORTE COUTEAUX 180	MESSERHALTERROTOR 180	ROTOR PORTA-AZADAS 180
22	M70100400	MOZZO ROT.COMPL.LAT.TRASM.	ROTOR PIN TRANSMISSION SIDE	MOYEU ROTOR COTE TRANSMISSION	ROTORNABE TRANSMISSIONSEITE	CUBO ROTOR FLANCO TRASMISION
23	M01110412	COPRIPOLVERE PICC.MOZ.LATO F.	DUST COVER	PARA-POUSSIERE	STAUBDECKEL	PARAPOLVO
24	F01020442	VITE M 8X1,25X20 U5739 8.8 DL	BOLT M 8X20	VIS M 8X20	SCHRAUBE M 8X20	TORNILLO M 8X20
25	F01480099	ROS.G 8,4X14,4X2,7 EX.C70 ZN	GROWER WASHER D.8	RONDELLE GROWER D.8	SCHEIBE GROWER D.8	ARANDELA GROWER D.8
26	M19100402	GUARN.SUPP.ROT. LATO CAT.	GASKET SUPPORT ROTOR	JOINT SUPPORT ROTOR	HALTERDICHTUNG ROTOR	JUNTA SOPORTE ROTOR
27	M19100430	SUPPORTO LATO TRASM.	ROTOR SUPPORT TRANSM. SIDE	SUPPORT ROTOR COTE TRANSM.	ROTORHALTER TRANSM.	SOPORTE ROTOR LATO TRASM.
28	F03010313	ANELLO T.AS 55X 80X10 D3760NBR	OIL SEAL 55X80X10	PARE-HUILE 55X80X10	OELABDICHTUNG 55X80X10	PARA-ACEITE 55X80X10
29	F03010837	ANELLO T. 55X 80X 16 CASS.	OIL SEAL 55X80X16	PARE-HUILE 55X80X16	OELABDICHTUNG 55X80X16	PARA-ACEITE 55X80X16
30	F04010222	CUSC.D45 D100 B25 6309	BEARING 6309	ROULEMENT 6309	LAGER 6309	COJINETE 6309
31	F02050471	ANELLO E. DI100X 3 U7437 C70	SEEGER RING D.100	BAGUE SEEGER D.100	SEEGERRING D.100	ANILLO SEEGER D.100
32	F01010026	VITE M10X1,25X40 U5738 8.8 ZN	BOLT M 10X1,25X40	VIS M 10X1,25X40	SCHRAUBE M 10X1,25X40	TORNILLO M 10X1,25X40
33	F01200048	DADO ALTO M10X1,25 5587 6S BR	NUT M10X1,25	ECROU M10X1,25	MUTTER M10X1,25	DADO M10X1,25
34	M19100421	ZAPPA SQUADRA DX E L	RIGHT SQUARE BLADE	LAME EQUERRE A-E-H DRT	RECHTES WINKELMESSER	AZADA ESCUADRA DERECHA
35	M19100422	ZAPPA SQUADRA SX E L	LEFT SQUARE BLADE	LAME EQUERRE A-E-H GCH	LINKES WINKELMESSER	AZADA ESCUADRA IZQUIERDA
36	F01480123	ROS.G 12,5X22,9X 4 EX.C70 ZN	WASHER M12 ZGP EXTRA P.	RONDELLE M12 ZGP EXTRA P.	UNTERLEGSCHIEBE M12 ZGP EXTRA	ARANDELA M12 ZGP EXTRA P.
37	F01200073	DADO M12X1,25 U5587 6S ZN	NUT M12X1,25	ECROU M12X1,25	MUTTER M12X1,25	DADO M12X1,25
38	F20110011	VIT.M10X1,25X 30 SPEC 10.9 ZN	BOLT M 10X1,25X30	VIS M 10X1,25X30	SCHRAUBE M 10X1,25X30	TORNILLO M 10X1,25X30
39	M19100423	ZAPPA ELICA DX	RIGHT HELICOIDAL BLADE	LAME HELICE DROITE	RECHTES BOGENMESSER	AZADA HELICE DERECHA
40	M19100424	ZAPPA ELICA SX	LEFT HELICOIDAL BLADE	LAME HELICE GAUCHE	LINKES BOGENMESSER	AZADA HELICE IZQUIERDA
41	M19100444	MOZZO ROT.COMPL.LATO EST.	ROTOR PIN SIDE PANEL	MOYEU ROTOR PARTIE LATERALE	ROTORNABE SEITENWAND	CUBO ROTOR FLANCO
42	M19100431	SUPPORTO LATO EST.	ROTOR SUPPORT SIDE PANEL	SUPPORT ROTOR PARTIE LATERALE	ROTORHALTER SEITENWAND	SOPORTE ROTOR FLANCO
43	F03010831	ANELLO T. 45X 65X18,5 CASS	OIL SEAL 55X65X18.5	PARE-HUILE 45X65X18.5	OELABDICHTUNG 55X65X18.5	PARA-ACEITE 55X65X18.5
44	F03010287	ANELLO T.AS 45X 65X10 D3760NBR	OIL SEAL 45X65X10	PARE-HUILE 45X65X10	OELABDICHTUNG 45X65X10	PARA-ACEITE 45X65X10
45	F04010216	CUSC.D35 D80 B21 6307	BEARING 6307	ROULEMENT 6307	LAGER 6307	COJINETE 6307
46	F01440033	ROS. 35X45X 1 D988 ST2K60 BR	SPRING WASHER D.35,2X45X1	RESSORT A DISQUES D.35,2X45X1	FEDER D.35,2X45X1	MUELLE DISCO D.35,2X45X1
47	F02050146	ANELLO E. DE 35X 1,5 U7435 C70	ELASTIC RING DE 35X 1,5 U7435	BAGUE ELASTIQUE DE 35X 1,5	RING DE 35X 1,5 U7435 C70	ANILLO DE 35X 1,5 U7435 C70

TAV.030



<04 - VALIDO PRIMA DEL 2004
 VALID BEFORE 2004
 GULTIG BEVOR 2004
 VALABLE AVANT 2004
 VALIDO ANTES 2004

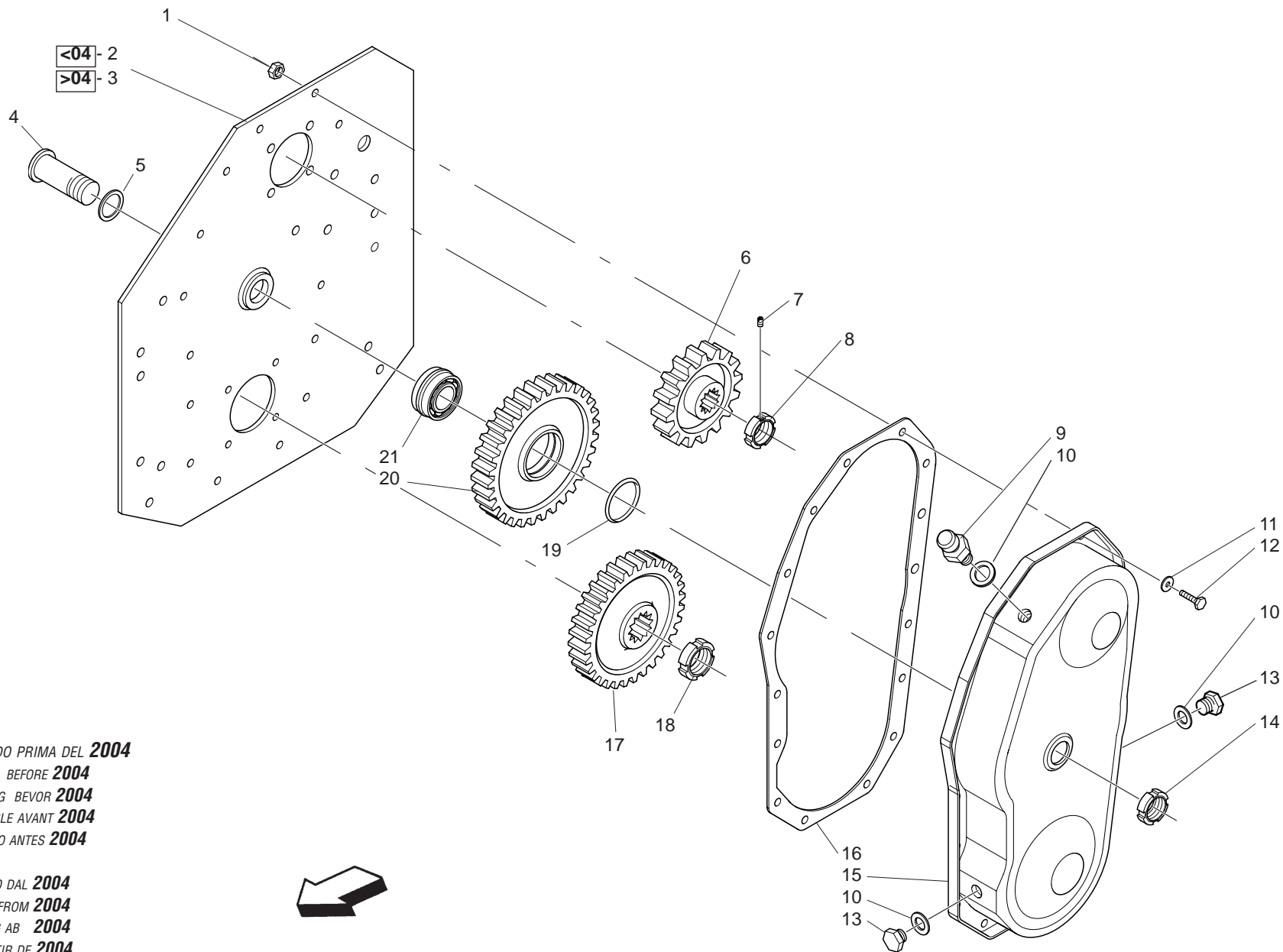
>04 - VALIDO DAL 2004
 VALID FROM 2004
 GULTIG AB 2004
 A PARTIR DE 2004
 A PARTIR DE 2004



POS	CODICE	DESCRIZIONE	DESCRIPTION	DESCRIPTION	BENENNUNG	DESCRIPCION
1	F01220022	DADO M 8X1,25 D980 8 ZN	SELF LOCKING NUT M8X1,25 980V	ECROU AUTOBL. M8X1,25 980-V	SELBSTSP.MUTT. M8X1,25 980-V	DADO AUTOBL. M8X1,25 980-V
2	M69100507	FIANCATA LATO TRASMISS. CATENA	TRANSMISSION SIDE PANEL	COTE TRANSMISSION	ANTRIEBSSEITENWAND	FLANCO LADO TRASMISSION
3	M69100545	FIANCATA LATO TRASMISS. CATENA	TRANSMISSION SIDE PANEL	COTE TRANSMISSION	ANTRIEBSSEITENWAND	FLANCO LADO TRASMISSION
4	F01230084	DADO M16X1,5 D982 6 ZN	SELF LOCKING NUT M16X1,5	ECROU AUTOBL. M16X1,5	SELBSTSPERR.MUTTER M16X1,5	DADO AUTOBL. M16X1,5
5	M01110312	PERNO TENDICATENA	CHAIN STRETCHER PIN	GOUJON TENDEUR DE CHAINE	KETTENSANNERBOLZEN	PERNO TENSOR DE CADENAS
6	M02108305	TENDICATENA	CHAIN STRETCHER	TENDEUR DE CHAINE	KETTENSANNER	TENSOR DE CADENA
7	F02050034	ANELLO E. DE 15X 1 U7435 C70	ELASTIC RING DE 15X 1	BAGUE ELASTIQUE DE 15X 1	RING DE 15X 1	ANILLO DE 15X 1
8	M19100301	PIGNONE SUP.PER CATENA	UPPER CHAIN PINION	PIGNON CHAINE SUPERIEUR	OBERRITTENRITZEL	PINON CADENA SUPERIOR
9	F02010111	GHIERA AU.GUP M30X1,5 T.4H ZN	SELF LOCKING NUT M30X1,5	COLLIER AUTOBL. M30X1,5	SELBSTSP. NUTMUTTER M30X1,5	VIROLA AUTOBL. M30X1,5
10	F06080550	FALSA MAGLIA A100	DUMMY LINK ASA 100	MAILLE FAUSSE ASA 100	BLINDES GLIED ASA 100	MALLA ENTREDOS ASA 100
11	M29100717	TAPPO SFIATO	OIL BREATHER PLUG	BOUCHON DE SOUPIRAIL	ENTLUEFTERPFROPFEN	TAPON RESPIRADERO
12	M26100321	GUARNIZ.D=26 D=18 S=1,5 ALLUM.	GASKET	JOINT	DICHTUNG	JUNTA
13	F01410051	ROS.M8 8,4X 17X1,6 U6592 ZN	PLANE WASHER D.8	RONDELLE D.8	SCHEIBE D.8	ARANDELA D.8
14	F01020440	VITE M 8X1,25X25 U5739 8.8 ZN	BOLT M8 X25 5739 8.8 ZN	VIS M8 X25 5739 8.8 ZN	SCHRAUBE M8 X25 5739 8.8 ZN	TORNILLO M8 X25 5739 8.8 ZN
15	M69100313	COMP. CARTER CATENA "A-E"	CHAIN COVER	CARTER CHAINE	KETTENGEGAEUSE	CARTER CADENA
16	F03150625	TAPPO CARICO/SCARICO M18X1,5	OIL INLET CAP	BOUCHON HUILE CHARGEMEN	ENTLUEFTERPFROPFEN	CORCHO OLEO
17	F01200125	DADO M18X 2,5 U5587 6S ZN	NUT M18	ECROU M18	MUTTER M18	DADO M18
18	M37100302	VITE PER TENDICATENA ZN	BOLT CHAIN STRETCHER	VIS TENDEUR DE CHAINE	SCHRAUBE KETTENSANNER	TORNILLO TENSOR DE CADENA
19	M19100317	GUARN.CARTER INGR.	CARTER GASKET	JOINT CARTER	DICHTUNG	JUNTA CARTER
20	F02010133	GHIERA AU.GUP M40X1,5 T.4H ZN	SELF LOCKING NUT M40X1,5	COLLIER AUTOBL. M40X1,5	SELBSTSP. NUTMUTTER M40X1,5	VIROLA AUTOBL. M40X1,5
21	M19100302	PIGNONE INF.PER CATENA	LOWER CHAIN PINION	PIGNON CHAINE INFERIEUR	UNTERKETTENRITZEL	PINON CADENA INFERIOR
22	F06080576	MAGLIA INTERNA A100	INNER LINK ASA 100	MAILLE INTERIEUR ASA 100	INNENGLIED ASA 100	MALLA INTERNA ASA 100
23	F06080297	CATENA A100 A 34 MAGLIE	CHAIN ASA 100 34 LINKS	CHAINE ASA 100 34 MAILLON	KETTE ASA 100 34 GLIEDER	CADENA ASA 100 34 ESLABON
24	F06080514	MAGLIA DI GIUNZ. A 100	CHAIN JOINT ASA 100	JOINT CHAINE ASA 100	VERBINDUNGSGLIED ASA 100	MALLA CONJUNCION ASA 100

TAV. 030

TAV. 040



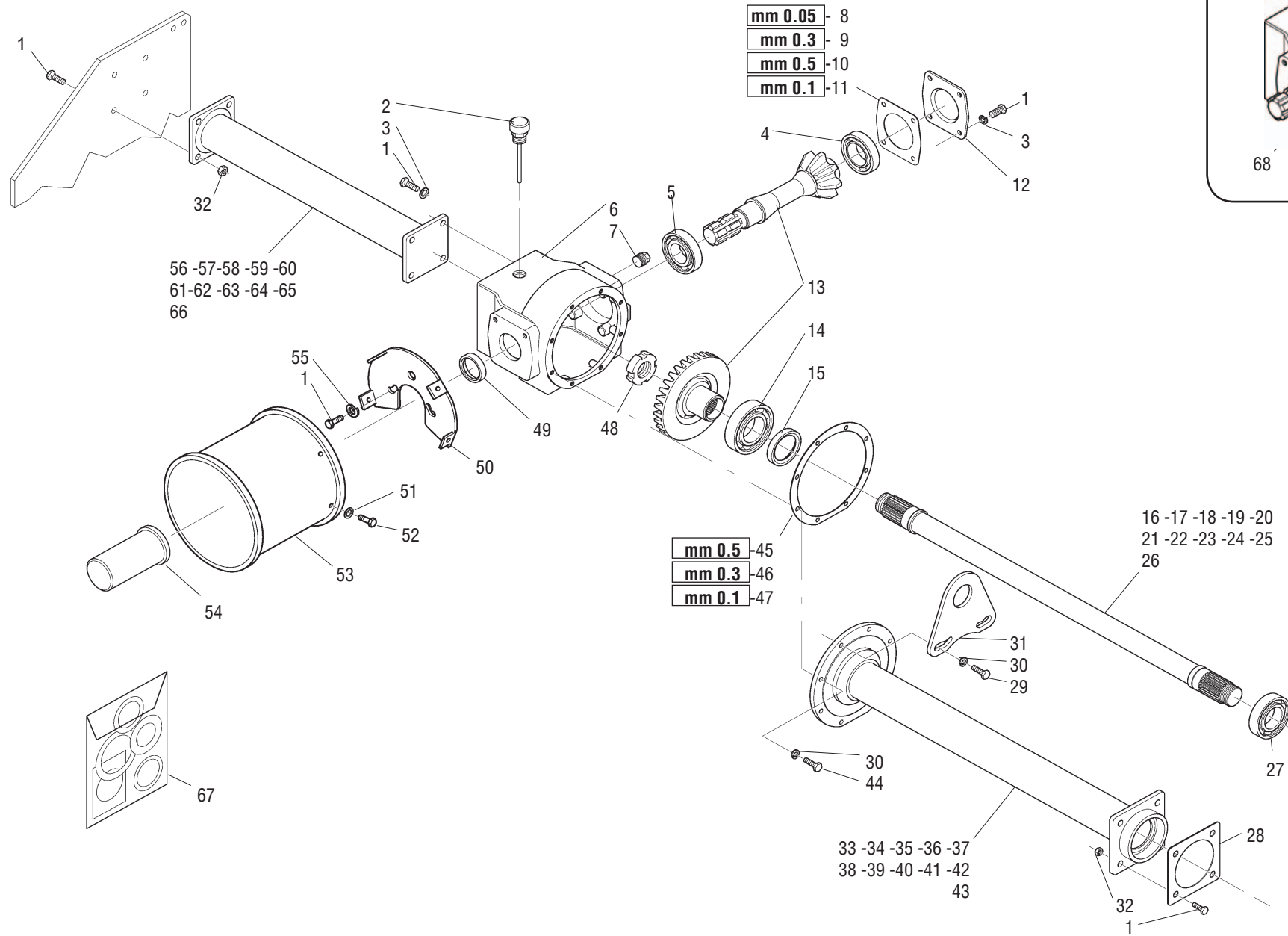
<04 - VALIDO PRIMA DEL 2004
 VALID BEFORE 2004
 GULTIG BEVOR 2004
 VALABLE AVANT 2004
 VALIDO ANTES 2004

>04 - VALIDO DAL 2004
 VALID FROM 2004
 GULTIG AB 2004
 A PARTIR DE 2004
 A PARTIR DE 2004



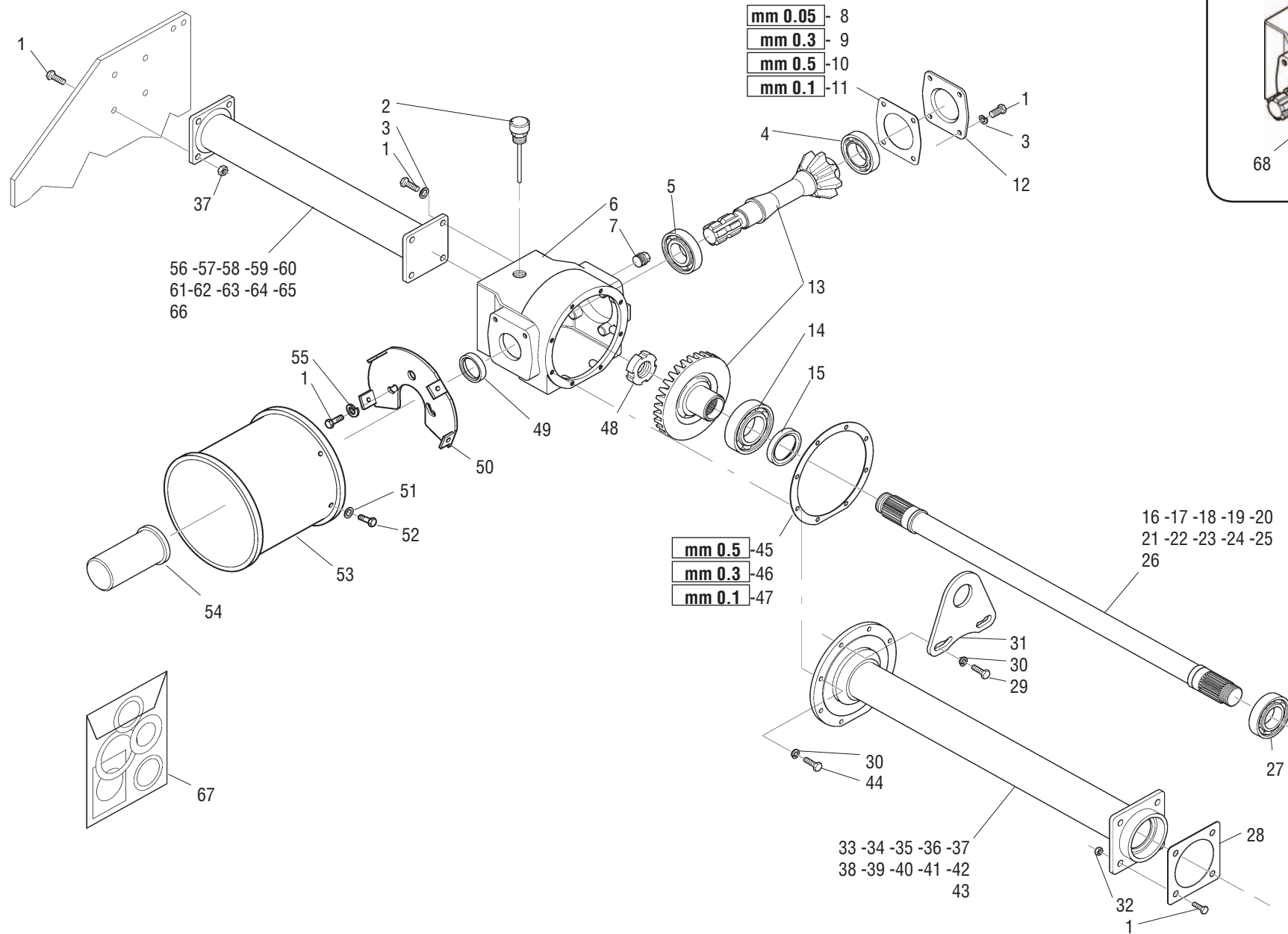
POS	CODICE	DESCRIZIONE	DESCRIPTION	DESCRIPTION	BENENNUNG	DESCRIPCION
1	F01220022	DADO M 8X1,25 D980 8 ZN	SELF LOCKING NUT M8X1,25 980V	ECROU AUTOBL. M8X1,25 980-V	SELBSTSP.MUTT. M8X1,25 980-V	DADO AUTOBL. M8X1,25 980-V
2	M69100505	FIANCATA LATO TRASMISS. INGR.	TRANSMISSION SIDE PANEL	COTE TRANSMISSION	ANTRIEBSSEITENWAND	FLANCO LADO TRASMISSION
3	M69100543	FIANCATA LATO TRASMISS. INGR.	TRANSMISSION SIDE PANEL	COTE TRANSMISSION	ANTRIEBSSEITENWAND	FLANCO LADO TRASMISSION
4	M19100321	PERNO INGR.CENTRALE	GEAR HUB	MOYEU ENGRENAGE	ZAHNRADNABE	CUBO ENGRANAJE
5	M19100322	GUARNIZIONE PERNO	GASKET	JOINT	DICHTUNG	JUNTA
6	M19100318	INGRANAGGIO SUPERIORE Z 24	UPPER GEAR Z=24	ENGRENAGE SUPERIEUR Z=24	OBERES ZAHNRAD Z=24	ENGRANAJE SUPERIOR Z=24
7	F01050086	VITE M 6X1 X 10 U5927 12.9 BR	BOLT M 6X10	VIS M 6X10	SCHRAUBE M 6X10	TORNILLO M 6X10
8	M19100325	GHIERA GUP 30X1,5 FOR.T.4H ZN	SELF LOCKING NUT 30X1,5	COLLIER AUTOBL. 30X1,5	SELBSTSP. NUTMUTTER 30X1,5	VIROLA AUTOBL. 30X1,5
9	M29100717	TAPPO SFIATO	OIL BREATHER PLUG	BOUCHON DE SOUPIRAIL	ENTLUEFTERPFROPFEN	TAPON RESPIRADERO
10	M26100321	GUARNIZ.D=26 D=18 S=1,5 ALLUM.	GASKET	JOINT	DICHTUNG	JUNTA
11	F01410051	ROS.M8 8,4X 17X1,6 U6592 ZN	PLANE WASHER D.8	RONDELLE D.8	SCHEIBE D.8	ARANDELA D.8
12	F01020436	VITE M 8X1,25X 20 U5739 8.8 ZN	BOLT M 8X20	VIS M 8X20	SCHRAUBE M 8X20	TORNILLO M 8X20
13	F03150625	TAPPO CARICO/SCARICO M18X1,5	OIL INLET CAP	BOUCHON HUILE CHARGEMEN	ENTLUEFTERPFROPFEN	CORCHO OLEO
14	F02010122	GHIERA AU.GUP M35X1,5 T.4H ZN	SELF LOCKING NUT M35X1,5	COLLIER AUTOBL. M35X1,5	SELBSTSP. NUTMUTTER M35X1,5	VIROLA AUTOBL. M35X1,5
15	M69100301	COMP. CARTER INGRANAGGI "A-E"	GEARS COVER	CARTER ENGRENAGES	ZAHNRAEDERGEHAEUSE	CARTER ENGRANAJE
16	M19100317	GUARN.CARTER INGR.	CARTER GASKET	JOINT CARTER	DICHTUNG	JUNTA CARTER
17	M19100320	INGRANAGGIO INFERIORE Z 33	LOWER GEAR Z=33	ENGRENAGE INFERIEUR Z=33	ZAHNRAD Z=33	ENGRANAJE INFERIOR Z=33
18	F02010133	GHIERA AU.GUP M40X1,5 T.4H ZN	SELF LOCKING NUT M40X1,5	COLLIER AUTOBL. M40X1,5	SELBSTSP. NUTMUTTER M40X1,5	VIROLA AUTOBL. M40X1,5
19	F03010504	ANELLO OR 34,65X1,78 NBR	GASKET OR 028/OR2137	BAGUE OR 028/OR2137	RING OR 028/OR2137	ANILLO OR 028/OR2137
20	M19100319	INGRANAGGIO CENTRALE Z 42	CENTRAL GEAR Z=42	ENGRENAGE CENTR. Z=42	ZAHNRAD ZENTR. Z=42	ENGRANAJE CENTR. Z=42
21	F04100027	KIT CUSCINETTI (32007)	BEARING SET	KIT ROULEMENT	LAGERSATZ	KIT COJINETE

TAV.050



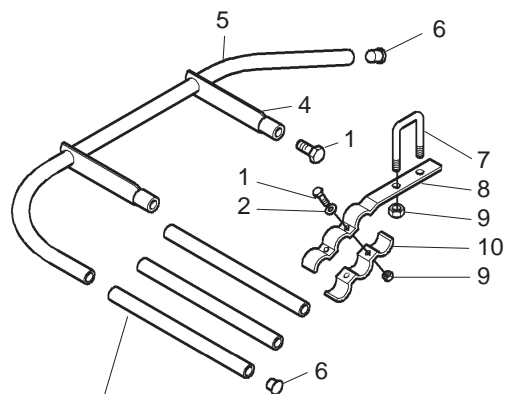
POS	CODICE	DESCRIZIONE	DESCRIPTION	DESCRIPTION	BENENNUNG	DESCRIPCION
1	F01010244	VITE M10X1,25X25 U5740 8.8 ZN	BOLT M 10X1,25X25	VIS M 10X1,25X25	SCHRAUBE M 10X1,25X25	TORNILLO M 10X1,25X25
2	M33100103	TAPPO SFIATO CON AST.LIV.OLIO	BREATHER PLUG	BOUCHON DE SOUPIRAIL	ENTLUEFTERSTOPFEN	TAPON RESPIRADERO
3	F01480112	ROSET.GROWER M10 ZN EXTRA P.	GROWER WASHER D.10	RONDELLE GROWER D.10	SCHIEBE GROWER D.10	ARANDELA GROWER D.10
4	F04050072	CUSC.D40 D80 T24,75 32208	BEARING 32208	ROULEMENT 32208	LAGER 32208	COJINETE 32208
5	F04050014	CUSCINETTO 30207	BEARING 30207	ROULEMENT 30207	LAGER 30207	COJINETE 30207
6	M69100101	SCATOLA RIDUTTORE "A"	GEARBOX	BOITE DE VITESSE	WECHSELGETRIEBEGEHAUSE	CAJA CAMBIO
7	F03150630	TAPPO SCARICO 1/2" GAS CON.	OIL OUTLET PLUG 1/2"	BOUCHON DE VIDANGE HUILE 1/2"	OELABLASSPFROPFEN 1/2"	TAPON DESCARGADO ACEITE 1/2"
8	M19100114	GUARNIZ. COPERCHIO 0,05	GASKET MM.0,05	JOINT MM.0,05	DICHTUNG MM.0,05	JUNTA MM.0,05
9	M19100106	GUAR.SU COP.CAMBIO STAF.COL	GASKET MM.0,3	JOINT MM.0,3	DICHTUNG MM.0,3	JUNTA MM.0,3
10	M19100108	GUARNIZIONE 0,5	GASKET MM.0,5	JOINT MM.0,5	DICHTUNG MM.0,5	JUNTA MM.0,5
11	M19100109	GUARNIZIONE 0,1	GASKET MM.0,1	JOINT MM.0,1	DICHTUNG MM.0,1	JUNTA MM.0,1
12	M69100102	COPERCHIO POSTER. RIDUTTORE A	COVER	COUVERCLE	DECKEL	TAPA
13	M19100113	COPIA CONICA	BEVEL GEAR PAIR	COUPLE CONIQUE	KEGELRITZELSATZ	PAR CONICO
14	F04050018	CUSC.D45 D85 T20,75 30209	BEARING D45 D85 T20,75 30209	ROULEMENT D45 D85 T20,75 30209	LAGER D45 D85 T20,75 30209	COJINETE D45 D85 T20,75 30209
15	F03010286	ANELLO DI TENUTA 45X60X7	OIL SEAL 45X60X7	BAGUE D'ETANCHEITE 45X60X7	RING 45X60X7	ANILLO 45X60X7
16	M19108202	ALBERO TRASMISS. SUPERIORE 80	TRANSMISSION SHAFT 80	ARBRE DE TRANSMISSION 80	ANTRIEBSWELLE 80	EJE DE TRASMISION 80
17	M19109202	ALBERO TRASMISS. SUPERIORE 90	TRANSMISSION SHAFT 90	ARBRE DE TRANSMISSION 90	ANTRIEBSWELLE 90	EJE DE TRASMISION 90
18	M19110202	ALBERO TRASMISS. SUPERIORE 100	TRANSMISSION SHAFT 100	ARBRE DE TRANSMISSION 100	ANTRIEBSWELLE 100	EJE DE TRASMISION 100
19	M19111202	ALBERO TRASMISS. SUPERIORE 110	TRANSMISSION SHAFT 110	ARBRE DE TRANSMISSION 110	ANTRIEBSWELLE 110	EJE DE TRASMISION 110
20	M19112202	ALBERO TRASMISS. SUPERIORE 120	TRANSMISSION SHAFT 120	ARBRE DE TRANSMISSION 120	ANTRIEBSWELLE 120	EJE DE TRASMISION 120
21	M19113202	ALBERO TRASMISS. SUPERIORE 130	TRANSMISSION SHAFT 130	ARBRE DE TRANSMISSION 130	ANTRIEBSWELLE 130	EJE DE TRASMISION 130
22	M19114202	ALBERO TRASMISS. SUPERIORE 140	TRANSMISSION SHAFT 140	ARBRE DE TRANSMISSION 140	ANTRIEBSWELLE 140	EJE DE TRASMISION 140
23	M19115202	ALBERO TRASMISS. SUPERIORE 150	TRANSMISSION SHAFT 150	ARBRE DE TRANSMISSION 150	ANTRIEBSWELLE 150	EJE DE TRASMISION 150
24	M19116202	ALBERO TRASMISS. SUPERIORE 160	TRANSMISSION SHAFT 160	ARBRE DE TRANSMISSION 160	ANTRIEBSWELLE 160	EJE DE TRASMISION 160
25	M19117202	ALBERO TRASMISS. SUPERIORE 170	TRANSMISSION SHAFT 170	ARBRE DE TRANSMISSION 170	ANTRIEBSWELLE 170	EJE DE TRASMISION 170
26	M19118202	ALBERO TRASMISS. SUPERIORE 180	TRANSMISSION SHAFT 180	ARBRE DE TRANSMISSION 180	ANTRIEBSWELLE 180	EJE DE TRASMISION 180
27	F04050070	CUSC.D35 D72 T24,25 32207	BEARING 32207	ROULEMENT 32207	LAGER 32207	COJINETE 32207
28	M19100210	GUARN.FLAN. DIST. TRASMIS.	GASKET	JOINT FLASQUE	FLANSCHDICHTUNG	JUNTA BRIDA
29	F01020449	VITE M8X1,25X 35 U5737 8.8 BR	BOLT M 8X35	VIS M 8X35	SCHRAUBE M 8X35	TORNILLO M 8X35
30	F01480099	ROS.G 8,4X14,4X2,7 EX.C70 ZN	GROWER WASHER D.8	RONDELLE GROWER D.8	SCHIEBE GROWER D.8	ARANDELA GROWER D.8
31	M66100114	STAFFA	STIRRUP	ETRIER	BUEGEL	ESTRIBO
32	F01220034	DADO M10X1,25 D980 8 ZN	NUT M10X1,25 D980 8 ZN	ECRO.M10X1,25 D980 8 ZN	MUTTM10X1,25 D980 8 ZN	TUER.M10X1,25 D980 8 ZN
33	M19108203	DISTANZIALE SUPP. TRASMIS. 80	LEFT SPACER 80	ENTRETOISE GAUCHE 80	LINKES DISTANZROHR 80	DISTANCIADOR IZQ. 80
34	M19109203	DISTANZIALE SUPP. TRASMIS. 90	LEFT SPACER 90	ENTRETOISE GAUCHE 90	LINKES DISTANZROHR 90	DISTANCIADOR IZQ. 90
35	M19110203	DISTANZIALE SUPP. TRASMIS. 100	LEFT SPACER 100	ENTRETOISE GAUCHE 100	LINKES DISTANZROHR 100	DISTANCIADOR IZQ. 100
36	M19111203	DISTANZIALE SUPP. TRASMIS. 110	LEFT SPACER 110	ENTRETOISE GAUCHE 110	LINKES DISTANZROHR 110	DISTANCIADOR IZQ. 110
37	M19112203	DISTANZIALE SUPP. TRASMIS. 120	LEFT SPACER 120	ENTRETOISE GAUCHE 120	LINKES DISTANZROHR 120	DISTANCIADOR IZQ. 120
38	M19113203	DISTANZIALE SUPP. TRASMIS. 130	LEFT SPACER 130	ENTRETOISE GAUCHE 130	LINKES DISTANZROHR 130	DISTANCIADOR IZQ. 130
39	M19114203	DISTANZIALE SUPP. TRASMIS. 140	LEFT SPACER 140	ENTRETOISE GAUCHE 140	LINKES DISTANZROHR 140	DISTANCIADOR IZQ. 140
40	M19115203	DISTANZIALE SUPP. TRASMIS. 150	LEFT SPACER 150	ENTRETOISE GAUCHE 150	LINKES DISTANZROHR 150	DISTANCIADOR IZQ. 150
41	M19116203	DISTANZIALE SUPP. TRASMIS. 160	LEFT SPACER 160	ENTRETOISE GAUCHE 160	LINKES DISTANZROHR 160	DISTANCIADOR IZQ. 160
42	M19117203	DISTANZIALE SUPP. TRASMIS. 170	LEFT SPACER 170	ENTRETOISE GAUCHE 170	LINKES DISTANZROHR 170	DISTANCIADOR IZQ. 170
43	M19118203	DISTANZIALE SUPP. TRASMIS. 180	LEFT SPACER 180	ENTRETOISE GAUCHE 180	LINKES DISTANZROHR 180	DISTANCIADOR IZQ. 180
44	F01020440	VITE M 8X1,25X25 U5739 8.8 ZN	BOLT M8 X25 5739 8.8 ZN	VIS M8 X25 5739 8.8 ZN	SCHRAUBE M8 X25 5739 8.8 ZN	TORNILLO M8 X25 5739 8.8 ZN
45	M19100207	GUARNIZ. FLAN. CORONA 0,5	GASKET MM.0,5	JOINT COURONNE MM.0,5	FLANSCHDICHTUNG MM.0,5	JUNTA BRIDA MM.0,5
46	M19100208	GUARNIZ. FLAN. CORONA 0,3	GASKET MM.0,3	JOINT COURONNE MM.0,3	FLANSCHDICHTUNG MM.0,3	JUNTA BRIDA MM.0,3
47	M19100209	GUARNIZ. FLAN. CORONA 0,1	GASKET MM.0,1	JOINT COURONNE MM.0,1	FLANSCHDICHTUNG MM.0,1	JUNTA BRIDA MM.0,1
48	F02010111	GHIERA AU.GUP M30X1,5 T.4H ZN	SELF LOCKING NUT M30X1,5	COLLIER AUTOBL. M30X1,5	SELBSTSP. NUTMUTTER M30X1,5	VIROLA AUTOBL. M30X1,5
49	F03010080	ANELLO T.A. 35X 47X 7 D3760NBR	OIL SEAL 35X47X7	PARE-HUILE 35X47X7	OELABDICHTUNG 35X47X7	PARA-ACEITE 35X47X7
50	M74100126	ATTACCO PROTEZIONE CARDANO	PROTECTION HITCH	SUPPORT PROTECTION CARDAN	GELENKWELLENSCHUTZ HALTER	SOPORTE PROTECCION CARDANICO
51	F01410037	ROS.M6 6,4X12,5X1,6 U6592 ZN	PLANE WASHER D.6	RONDELLE D.6	SCHIEBE D.6	ARANDELA D.6
52	F01020403	VITE M 6X 1X 16 U5739 8.8 ZN	BOLT M 6X16	VIS M 6X16	SCHRAUBE M 6X16	TORNILLO M 6X16
53	M01110144	PROTEZIONE CARDANO	CARDAN PROTECTION	PROTECTION CARDAN	GELENKWELLENSCHUTZ	PROTECCION CARDANICO
54	M38100146	MANICOTTO PROTEZIONE PDF 1" 3/8	P.T.O. PROTECTION	MANCHON DE PROTECTION P.T.O.	ZAPFWELLENSCHUTZ P.T.O.	MANGUITO PROTECCION P.T.O.
55	F01410064	ROS.M10 10,5X 20X 2 U6592 ZN	WASHER 10,5X21	RONDELLE 10,5X21	SCHIEBE 10,5X21	ARANDELA 10,5X21

TAV.050

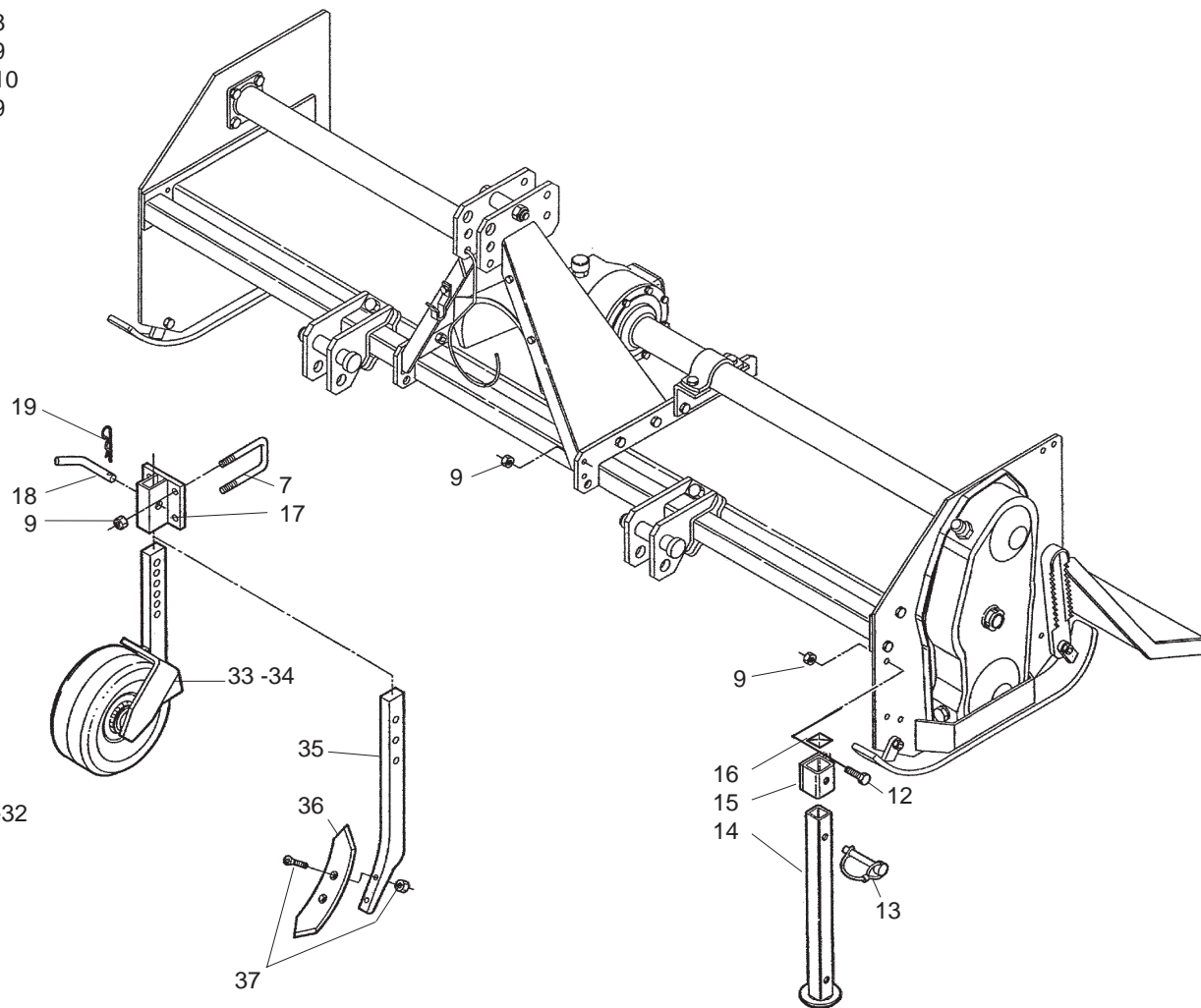


POS	CODICE	DESCRIZIONE	DESCRIPTION	DESCRIPTION	BENENNUNG	DESCRIPCION
56	M69108201	COMP. DISTANZIALE ESTERNO A 80	OUTER SPACER A 80	ENTRETOISE EXTERIEURE A 80	AUSSENDISTANZSTUECK A 80	DISTANCIADOR EXTERNO A 80
57	M69109201	COMP. DISTANZIALE ESTERNO A 90	OUTER SPACER A 90	ENTRETOISE EXTERIEURE A 90	AUSSENDISTANZSTUECK A 90	DISTANCIADOR EXTERNO A 90
58	M69110201	COMP. DISTANZIALE ESTERNO A100	OUTER SPACER A100	ENTRETOISE EXTERIEURE A100	AUSSENDISTANZSTUECK A100	DISTANCIADOR EXTERNO A100
59	M69111201	COMP. DISTANZIALE ESTERNO A110	OUTER SPACER A110	ENTRETOISE EXTERIEURE A110	AUSSENDISTANZSTUECK A110	DISTANCIADOR EXTERNO A110
60	M69112201	COMP. DISTANZIALE ESTERNO A120	OUTER SPACER A120	ENTRETOISE EXTERIEURE A120	AUSSENDISTANZSTUECK A120	DISTANCIADOR EXTERNO A120
61	M69113201	COMP. DISTANZIALE ESTERNO A130	OUTER SPACER A130	ENTRETOISE EXTERIEURE A130	AUSSENDISTANZSTUECK A130	DISTANCIADOR EXTERNO A130
62	M69114201	COMP. DISTANZIALE ESTERNO A140	OUTER SPACER A140	ENTRETOISE EXTERIEURE A140	AUSSENDISTANZSTUECK A140	DISTANCIADOR EXTERNO A140
63	M69115201	COMP. DISTANZIALE ESTERNO A150	OUTER SPACER A150	ENTRETOISE EXTERIEURE A150	AUSSENDISTANZSTUECK A150	DISTANCIADOR EXTERNO A150
64	M69116201	COMP. DISTANZIALE ESTERNO A160	OUTER SPACER A160	ENTRETOISE EXTERIEURE A160	AUSSENDISTANZSTUECK A160	DISTANCIADOR EXTERNO A160
65	M69117201	COMP. DISTANZIALE ESTERNO A170	OUTER SPACER A170	ENTRETOISE EXTERIEURE A170	AUSSENDISTANZSTUECK A170	DISTANCIADOR EXTERNO A170
66	M69118201	COMP. DISTANZIALE ESTERNO A180	OUTER SPACER A180	ENTRETOISE EXTERIEURE A180	AUSSENDISTANZSTUECK A180	DISTANCIADOR EXTERNO A180
67	F03100174	KIT GUARNIZIONI MODELLO "A2"	GASKET SET	SERIE JOINTS	DICHTUNGSSATZ	SERIE JUNTAS
68	M69191111	GRUPPO RIDUTTORE COMP."A2"	COMPLETE GEAR BOX	BOITE DE VITESSE COMPL.	WECHSELGETRIEBGE KOMPL.	CAJA CAMBIO COMPL.

TAV. 060

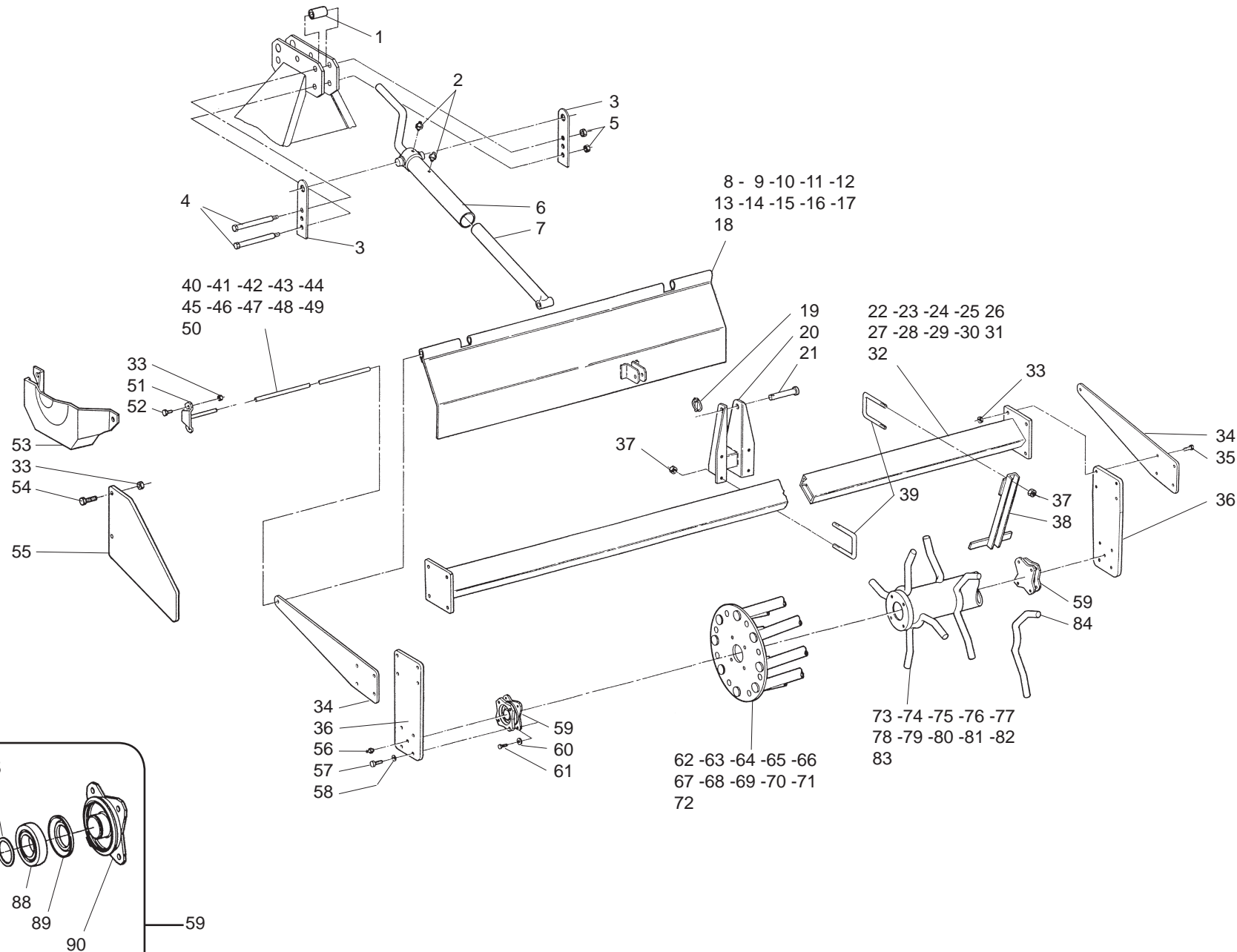


- 20 (A80 - A90 - A100)
- 21 (A110 - A120)
- 22 (A130 - A140)
- 23 (A150 - A160)
- 24 (A170)
- 38 (A180)



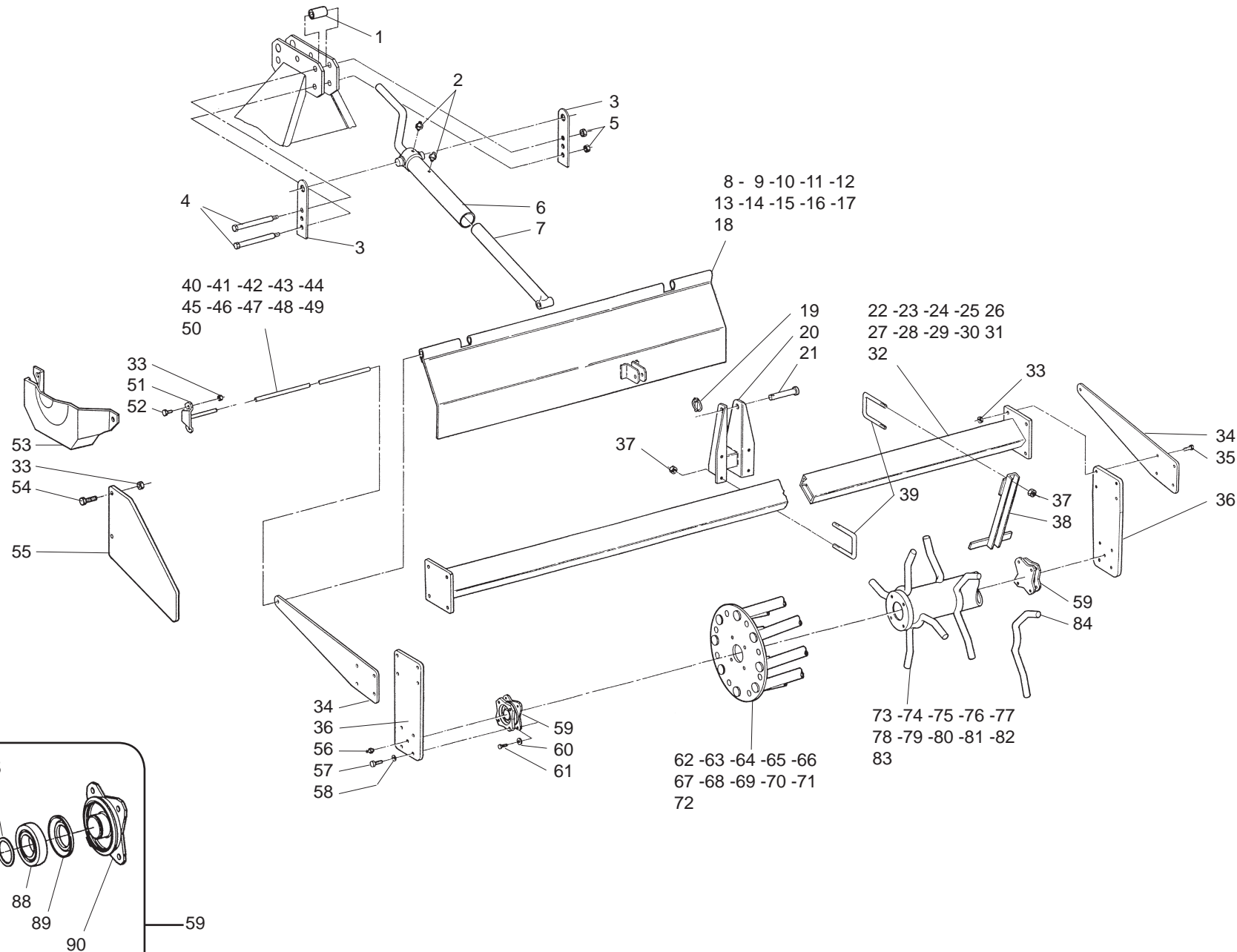
POS	CODICE	DESCRIZIONE	DESCRIPTION	DESCRIPTION	BENENNUNG	DESCRIPCION
1	F01010250	VITE M10X1,25X30 U5740 8.8 ZN	BOLT M10X1,25X30 U5740 8.8 ZN	VIS M10X1,25X30 U5740 8.8 ZN	SCHR.M10X1,25X30 U5740 8.8 ZN	TORN.M10X1,25X30 U5740 8.8 ZN
2	F01480112	ROSET.GROWER M10 ZN EXTRA P.	GROWER WASHER D.10	RONDELLE GROWER D.10	SCHEIBE GROWER D.10	ARANDELA GROWER D.10
4	M69100532	SUPPORTO PROTEZIONE	PROTECTION SUPPORT	SUPPORT PROTECTION	SCHUTZHALTER	SOPORTE PROTECCION
5	M69100530	TUBO D=22 S=1,5 L=990	SIDE PROTECTION	PROTECTION LATERALE	SEITENSCHUTZ	PROTECCION LATERAL
6	F05100014	TAPPO CH. TUBO MM.20 1.02.105	PLUG	BOUCHON FERMETURE	VERSCHLUSSPFROPFEN	TAPON CLAUSURA
7	F20110715	CAV.Q.M10X 1,5X 30 61X 80 ZN	CONNE.M10X 1,5X 30 61X 80 ZN	ATTEL.M10X 1,5X 30 61X 80 ZN	VERBI.M10X 1,5X 30 61X 80 ZN	PERNO M10X 1,5X 30 61X 80 ZN
8	M66100745	ATTACCO PROTEZIONE ANTERIORE	FRONT PROTECTION FASTEN.	ATTELAGE ANTERIEUR	VORDERE SCHUTZVERBINDUNG	ATAQUE PROTECCION ANTERIOR
9	F01220034	DADO M10X1,25 D980 8 ZN	NUT M10X1,25 D980 8 ZB	ECRO.M10X1,25 D980 8 ZB	MUTT.M10X1,25 D980 8 ZB	TUER.M10X1,25 D980 8 ZB
10	M66100747	STAFFA PROTEZIONE ANTERIORE	U BOLT	BLOCAGE	U BOLZEN	BLOQUEO
12	F01010283	VITE M12X1,25X30 U5740 8.8 ZN	BOLT M 12X1,25X30	VIS M 12X1,25X30	SCHRAUBE M 12X1,25X30	TORNILLO M 12X1,25X30
13	F02200562	SPINA SICUR. D. 8X70 ZN	SPLIT PIN D.8X70 ZN	GOUPILLE D.8X70 ZN	BOLZEN D.8X70 ZN	PERNO D.8X70 ZN
14	M73100715	COMP. PIEDINO SUPPORTO	FEET SUPPORTING ROTARY CULTIV.	SUPPORT FRAISE	FRASE STANDER	SOPORTE FRESADORA
15	M66100556	COMP. SUPPORTO PIEDINO	SUPPORT	SUPPORT	HALTER	SOPORTE
16	F05100025	TAPPO AD ALETTE 35X35 PLT NERO	PLUG	BOUCHON FERMETURE	VERSCHLUSSPFROPFEN	TAPONCLAUSURA
17	M63100701	COMP. SUPP. RUOTE	SUPPORT	SUPPORT	HALTER	SOPORTE
18	M19100625	SPINOTTO REGOLAZIONE ALT.RUOTE	WHEELS HEIGHT ADJUSTER	GOUJON	BOLZEN	PERNO
19	F02200374	COPIGLIA R 4X 82 ZN	SPLIT PIN 5X100	GOUPILLE 5X100	SPLINT 5X100	PASADOR 5X100
20	M69110539	TUBO D=22 S=1,5 L=150	REAR GUARD	PROTECTION ARRIERE	HINTERE VORSCHUETZUNG	PROTECCION POSTERIOR
21	M69113539	TUBO D=22 S=1,5 L=250	REAR GUARD	PROTECTION ARRIERE	HINTERE VORSCHUETZUNG	PROTECCION POSTERIOR
22	M69114539	TUBO D=22 S=1,5 L=350	REAR GUARD	PROTECTION ARRIERE	HINTERE VORSCHUETZUNG	PROTECCION POSTERIOR
23	M69115539	TUBO D=22 S=1,5 L=400	REAR GUARD	PROTECTION ARRIERE	HINTERE VORSCHUETZUNG	PROTECCION POSTERIOR
24	M69116539	TUBO D=22 S=1,5 L=500	REAR GUARD	PROTECTION ARRIERE	HINTERE VORSCHUETZUNG	PROTECCION POSTERIOR
25	F03151006	CALOTTA D.52	COVER	COVERCLE	DECKEL	TAPA
26	F01220093	DADO M20X 1,5 D980 8 ZN	SELF LOCKING NUT M20X1,5 D980	ECROU AUTOBL. M20X1,5	SELBSTSPERR.MUTTER M20X1,5	TUERCA AUTOBL. M20X1,5
27	F04010208	CUSC.D20 D52 B15 6304,2RS	BEARING 6304 2RS	ROULEMENT 6304 2RS	LAGER 6304 2RS	COJINETE 6304 2RS
28	M19100607	RUOTA REGOL. PROFONDITA'	DEPTH CONTROL WHEEL	ROUE REGULATION PROFOND.	TIEFENEINSTELLUNGSRAD	RUEDA REGULACION PROF.
29	F04010170	CUSCINETTO 6205 2RS	BEARING 6205 2RS	ROULEMENT 6205 2RS	LAGER 6205 2RS	COJINETE 6205 2RS
30	M19100621	DISTANZIALE	SPACER	ENTRETOISE	DISTANZSTUECK	DISTANCIADOR
31	M63100720	COMP. ATT. RUOTA ANT. DX	RH WHEELARM	BRAS RUE DROITE	RADSTANGE RECHTS	BRAZO RUEDA COMP.DERECHA
32	M63100721	COMP. ATT. RUOTA ANT. SX	LH WHEELARM	BRAS RUE GAUCHE	RAD STANGE LINKS	BRAZO RUEDA COMP.ISQUIERDA
33	M63100718	RUOTA ANT. COMPL. DX	WHEEL DX	ROUE DX	RAD DX	RUEDA DX
34	M63100719	RUOTA ANT. COMPL. SX	WHEEL SX	ROUE SX	RAD SX	RUEDA SX
35	M63100717	ANCORA PER ROMPIRACCIA	TOOTH FOR TRACK ERADICATOR	POINTE POUR DENTS EFFACEUSE	UNTERGRUNDLOCKERER	PUNTA PARA BORROHUELLA
36	F20120010	VOMERINO REVERSIBILE	PLOUGHSHARE	SOC	PFLUGSCHAR	REJA
37	M00552049	VITE M10X1,5 X 40 5933 8.8 BR	COMPLETE BOLT	VIS COMPLETE	KOMPLETTE SCHRAUBEE	TORNILLO COMPLETO
38	M69118539	TUBO D=22 S=1,5 L=600	REAR GUARD	PROTECTION ARRIERE	HINTERE VORSCHUETZUNG	PROTECCION POSTERIOR

TAV. 070



POS	CODICE	DESCRIZIONE	DESCRIPTION	DESCRIPTION	BENENNUNG	DESCRIPCION
1	M40200515	BOCCOLA UNIONE 3 P.	BUSH 3 POINT	BAGUE 3EME POINT	BUECHSE DREIPUNKT	BRUJULA 3 PUNTO
2	F01100011	INGRAS.A SFERA M6X1 DRITTO A	SPHERE NIPPLE M6X1/A	GRAISSEUR A BILLES M6X1/A	KUGELFETTBSCHSE M6X1/A	ENGRAS. DE ESFERAS M6X1/A
3	M37100620	ATTACCO SUPERIORE MARTINETTO	UPPER LINKAGE	ATTELAGE SUPERIEUR	OBERE VERBINDUNG	ATAQUE SUPERIOR
4	F01010127	VITE M16X1,5X120 U5738 8.8 ZN	BOLT M 16X1,5X120	VIS M 16X1,5X120	SCHRAUBE M 16X1,5X120	TORNILLO M 16X1,5X120
5	F01220070	DADO M16X 1,5 D980 8 ZN	NUT M16X 1,5 D980 8 ZN	ECRO.M16X 1,5 D980 8 ZN	MUTTM16X 1,5 D980 8 ZN	TUER.M16X 1,5 D980 8 ZN
6	M28100953	COMP. PARTE SUP.MART.RULLO	UPPER PART OF JACK SCREW ASSY	PARTIE SUPERIEURE DU VERIN	OBERER SPINDELVERSTELLUNGSTEIL	PARTE SUPERIOR MARTINETE
7	M29100906	COMP. PARTE INF.MART.RULLO	LOWER PART OF JACK SCREW ASSY	PARTIE INFERIEURE DU VERIN	UNTER. SPINDELVERSTELLUNGSTEIL	PARTE INFERIOR MARTINETE
8	M69108521	COMP. LAMIERA RULLO A-E 80C	LEVELLING BONNET A-E 80C	CAPOT NIVELEUR A-E 80C	PLANIERHAUBE A-E 80C	PLANCHA NIVELADOR A-E 80C
9	M69109521	COMP. LAMIERA RULLO A-E 90C	LEVELLING BONNET A-E 90C	CAPOT NIVELEUR A-E 90C	PLANIERHAUBE A-E 90C	PLANCHA NIVELADOR A-E 90C
10	M69110521	COMP. LAMIERA RULLO A-E 100C	LEVELLING BONNET A-E 100C	CAPOT NIVELEUR A-E 100C	PLANIERHAUBE A-E 100C	PLANCHA NIVELADOR A-E 100C
11	M69111521	COMP. LAMIERA RULLO A-E 110C	LEVELLING BONNET A-E 110C	CAPOT NIVELEUR A-E 110C	PLANIERHAUBE A-E 110C	PLANCHA NIVELADOR A-E 110C
12	M69112521	COMP. LAMIERA RULLO A-E 120C	LEVELLING BONNET A-E 120C	CAPOT NIVELEUR A-E 120C	PLANIERHAUBE A-E 120C	PLANCHA NIVELADOR A-E 120C
13	M69113521	COMP. LAMIERA RULLO A-E 130C	LEVELLING BONNET A-E 130C	CAPOT NIVELEUR A-E 130C	PLANIERHAUBE A-E 130C	PLANCHA NIVELADOR A-E 130C
14	M69114521	COMP. LAMIERA RULLO A-E 140C	LEVELLING BONNET A-E 140C	CAPOT NIVELEUR A-E 140C	PLANIERHAUBE A-E 140C	PLANCHA NIVELADOR A-E 140C
15	M69115521	COMP. LAMIERA RULLO A-E 150C	LEVELLING BONNET A-E 150C	CAPOT NIVELEUR A-E 150C	PLANIERHAUBE A-E 150C	PLANCHA NIVELADOR A-E 150C
16	M69116521	COMP. LAMIERA RULLO A-E 160C	LEVELLING BONNET A-E 160C	CAPOT NIVELEUR A-E 160C	PLANIERHAUBE A-E 160C	PLANCHA NIVELADOR A-E 160C
17	M69117521	COMP. LAMIERA RULLO A-E 170C	LEVELLING BONNET A-E 170C	CAPOT NIVELEUR A-E 170C	PLANIERHAUBE A-E 170C	PLANCHA NIVELADOR A-E 170C
18	M69118521	COMP. LAMIERA RULLO A-E-H 180C	LEVELLING BONNET A-H-E 180C	CAPOT NIVELEUR A-H-E 180C	PLANIERHAUBE A-H-E 180C	PLANCHA NIVELADOR A-H-E 180C
19	F02200529	SPINA SCATTO D.11 ZN	SNAP PIN D.11 ZN	FICHE A DETENTE D.11 ZN	EINRASTSTIFT D.11 ZN	CLAVIJA DE MUELLE D.11 ZN
20	M19100441	COMPOSTO ATTACCO MARTINETTO	STIRRUP	ATTELAGE	ANSSLUSS	ATAQUE
21	F20100049	SPINA GASPARDO 22X92 ZN	PIN D.22	GOUJON D.22	BOLZEN D.22	PERNO D.22
22	M63108603	COMP. TRAVE RASCHIATERRA 80	SOIL SCRAPER FRAME 80	CHASSIS ATT. DECROTTOIR 80	ABSTREIFERRAHMEN 80	TELAR ATAQUE RASQUETA 80
23	M63109603	COMP. TRAVE RASCHIATERRA 90	SOIL SCRAPER FRAME 90	CHASSIS ATT. DECROTTOIR 90	ABSTREIFERRAHMEN 90	TELAR ATAQUE RASQUETA 90
24	M63110603	COMP. TRAVE RASCHIATERRA 100	SOIL SCRAPER FRAME 100	CHASSIS ATT. DECROTTOIR 100	ABSTREIFERRAHMEN 100	TELAR ATAQUE RASQUETA 100
25	M63111603	COMP. TRAVE RASCHIATERRA 110	SOIL SCRAPER FRAME 110	CHASSIS ATT. DECROTTOIR 110	ABSTREIFERRAHMEN 110	TELAR ATAQUE RASQUETA 110
26	M63112603	COMP. TRAVE RASCHIATERRA 120	SOIL SCRAPER FRAME 120	CHASSIS ATT. DECROTTOIR 120	ABSTREIFERRAHMEN 120	TELAR ATAQUE RASQUETA 120
27	M63113603	COMP. TRAVE RASCHIATERRA 130	SOIL SCRAPER FRAME 130	CHASSIS ATT. DECROTTOIR 130	ABSTREIFERRAHMEN 130	TELAR ATAQUE RASQUETA 130
28	M63114603	COMP. TRAVE RASCHIATERRA 140	SOIL SCRAPER FRAME 140	CHASSIS ATT. DECROTTOIR 140	ABSTREIFERRAHMEN 140	TELAR ATAQUE RASQUETA 140
29	M63115603	COMP. TRAVE RASCHIATERRA 150	SOIL SCRAPER FRAME 150	CHASSIS ATT. DECROTTOIR 150	ABSTREIFERRAHMEN 150	TELAR ATAQUE RASQUETA 150
30	M63116603	COMP. TRAVE RASCHIATERRA 160	SOIL SCRAPER FRAME 160	CHASSIS ATT. DECROTTOIR 160	ABSTREIFERRAHMEN 160	TELAR ATAQUE RASQUETA 160
31	M63117603	COMP. TRAVE RASCHIATERRA 170	SOIL SCRAPER FRAME 170	CHASSIS ATT. DECROTTOIR 170	ABSTREIFERRAHMEN 170	TELAR ATAQUE RASQUETA 170
32	M63118603	COMP. TRAVE RASCHIATERRA 180	SOIL SCRAPER FRAME 180	CHASSIS ATT. DECROTTOIR 180	ABSTREIFERRAHMEN 180	TELAR ATAQUE RASQUETA 180
33	F01220047	DADO M12X1,25 D980 8 ZN	SELF LOCKING NUT M12X1,25 980V	ECROU AUTOBL. M12X1,25 980-V	SIEHE	DADO AUTOBL. M12X1,25 980-V
34	M63100607	FIANCATA ORIZZ. RULLO	CONNECTION PLATE	COTE CONNECTION	VERBINDUNGSEITEWANDE	LADO COLIGAMIENTO
35	F01010291	VITE M12X1,25X40 U5740 8.8 ZN	BOLT M12X1,25X40 U5740 8.8 ZN	VIS M12X1,25X40 U5740 8.8 ZN	SCHR.M12X1,25X40 U5740 8.8 ZN	TORN.M12X1,25X40 U5740 8.8 ZN
36	M63100606	FIANCATA VERTIC. RULLO	EXTERNAL SIDE PANEL	COTE EXTERIEUR	AUSSENSEITENWAND	FLANCO LADO EXTERNO
37	F01220034	DADO M10X1,25 D980 8 ZN	NUT M10X1,25 D980 8 ZN	ECRO.M10X1,25 D980 8 ZN	MUTTM10X1,25 D9808 ZN	TUER.M10X1,25 D980 8 ZN
38	M19100719	RASCHIATERRA COMPLETO	SOIL SCRAPER	DECROTTOIR	ABSTREIFER	RASQUETA
39	F20110715	CAV.Q.M10X 1,5X 30 61X 80 ZN	CONNE.M12X1,75X30 93X120 ZN	ATTEL.M12X1,75X30 93X120 ZN	VERBI.M12X1,75X30 93X120 ZN	PERNO M12X1,75X30 93X120 ZN
40	M37108629	PERNO CERN. LAMIERA POST. 80	HINGE PIN LEVELL.PLATE 80	GOUJON CHAR.CAPOT NIV.80	SC.BOLZEN PLANIERHAUBE 80	PERNO CHA.PLANCHA NIV. 80
41	M37109629	PERNO CERN. LAMIERA POST. 90	HINGE PIN LEVELL.PLATE 90	GOUJON CHAR.CAPOT NIV.90	SC.BOLZEN PLANIERHAUBE 90	PERNO CHA.PLANCHA NIV. 90
42	M37110629	PERNO CERN. LAMIERA POST. 100	HINGE PIN LEVELL.PLATE 100	GOUJON CHAR.CAPOT NIV.100	SC.BOLZEN PLANIERHAUBE 100	PERNO CHA.PLANCHA NIV. 100
43	M37111629	PERNO CERN. LAMIERA POST. 110	HINGE PIN LEVELL.PLATE 110	GOUJON CHAR.CAPOT NIV.110	SC.BOLZEN PLANIERHAUBE 110	PERNO CHA.PLANCHA NIV. 110
44	M37112629	PERNO CERN. LAMIERA POST. 120	HINGE PIN LEVELL.PLATE 120	GOUJON CHAR.CAPOT NIV.120	SC.BOLZEN PLANIERHAUBE 120	PERNO CHA.PLANCHA NIV. 120
45	M37113629	PERNO CERN. LAMIERA POST. 130	HINGE PIN LEVELL.PLATE 130	GOUJON CHAR.CAPOT NIV.130	SC.BOLZEN PLANIERHAUBE 130	PERNO CHA.PLANCHA NIV. 130
46	M37114629	PERNO CERN. LAMIERA POST. 140	HINGE PIN LEVELL.PLATE 140	GOUJON CHAR.CAPOT NIV.140	SC.BOLZEN PLANIERHAUBE 140	PERNO CHA.PLANCHA NIV. 140
47	M37115629	PERNO CERN. LAMIERA POST. 150	HINGE PIN LEVELL.PLATE 150	GOUJON CHAR.CAPOT NIV.150	SC.BOLZEN PLANIERHAUBE 150	PERNO CHA.PLANCHA NIV. 150
48	M37116629	PERNO CERN. LAMIERA POST. 160	HINGE PIN LEVELL.PLATE 160	GOUJON CHAR.CAPOT NIV.160	SC.BOLZEN PLANIERHAUBE 160	PERNO CHA.PLANCHA NIV. 160
49	M37117629	PERNO CERN. LAMIERA POST. 170	HINGE PIN LEVELL.PLATE 170	GOUJON CHAR.CAPOT NIV.170	SC.BOLZEN PLANIERHAUBE 170	PERNO CHA.PLANCHA NIV. 170
50	M37118629	PERNO CERN. LAMIERA POST. 180	HINGE PIN LEVELL.PLATE 180	GOUJON CHAR.CAPOT NIV.180	SC.BOLZEN PLANIERHAUBE 180	PERNO CHA.PLANCHA NIV. 180
51	M29100905	COMP. STAFFA CERNIERA RULLO	HINGE STIRRUP	ETRIER CHARNIERE	SCHARNIERBUEGEL	ESTRIBO CHARNELA
52	F01010288	VITE M12X1,25X35 U5740 8.8 ZN	SCREW M12X1,25X35 U5740 8.8 ZN	VIS M12X1,25X35 U5740 8.8 ZN	SCHR.M12X1,25X35 U5740 8.8 ZN	TORN.M12X1,25X35 U5740 8.8 ZN
53	M71100523	COMP.CUFFIA PROTEZIONE	CARTER PROTECTION COVER	PROTECTEUR CARTER	GEHAUESESCHUTZKASTEN	COFIA PROTECCION CARTER
54	F01010281	VITE M12X1,25X25 U5740 8.8 ZN	BOLT M 12X1,25X25	VIS M 12X1,25X25	SCHRAUBE M 12X1,25X25	TORNILLO M 12X1,25X25
55	M63100914	PROLUNGA FIANCATA	SIDE PROTECTION	PROTECTION LATER.ARRIERE	HINTERE SCHUETZUNG	PROTECCION TRASERA
56	F01100023	ING.G 1/4 7663-A 9SMNPB28 ZN	GREASE NIPPLE 1/4	GRAISSEUR 1/4	SCHMIERBUECHSE 1/4	ENGRASADOR 1/4
57	F01010283	VITE M12X1,25X30 U5740 8.8 ZN	BOLT M 12X1,25X30	VIS M 12X1,25X30	SCHRAUBE M 12X1,25X30	TORNILLO M 12X1,25X30
58	F01480123	ROS.G 12,5X22,9X 4 EX.C70 ZN	WASHER M12 ZGP EXTRA P.	RONDELLE M12 ZGP EXTRA P.	UNTERLEGSSCHEIBE M12 ZGP EXTRA	ARANDELA M12 ZGP EXTRA P.

TAV. 070



POS CODICE

DESCRIZIONE

DESCRIPTION

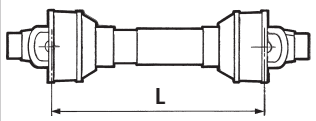
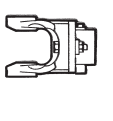
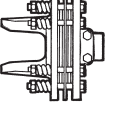
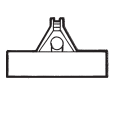
DESCRIPTION

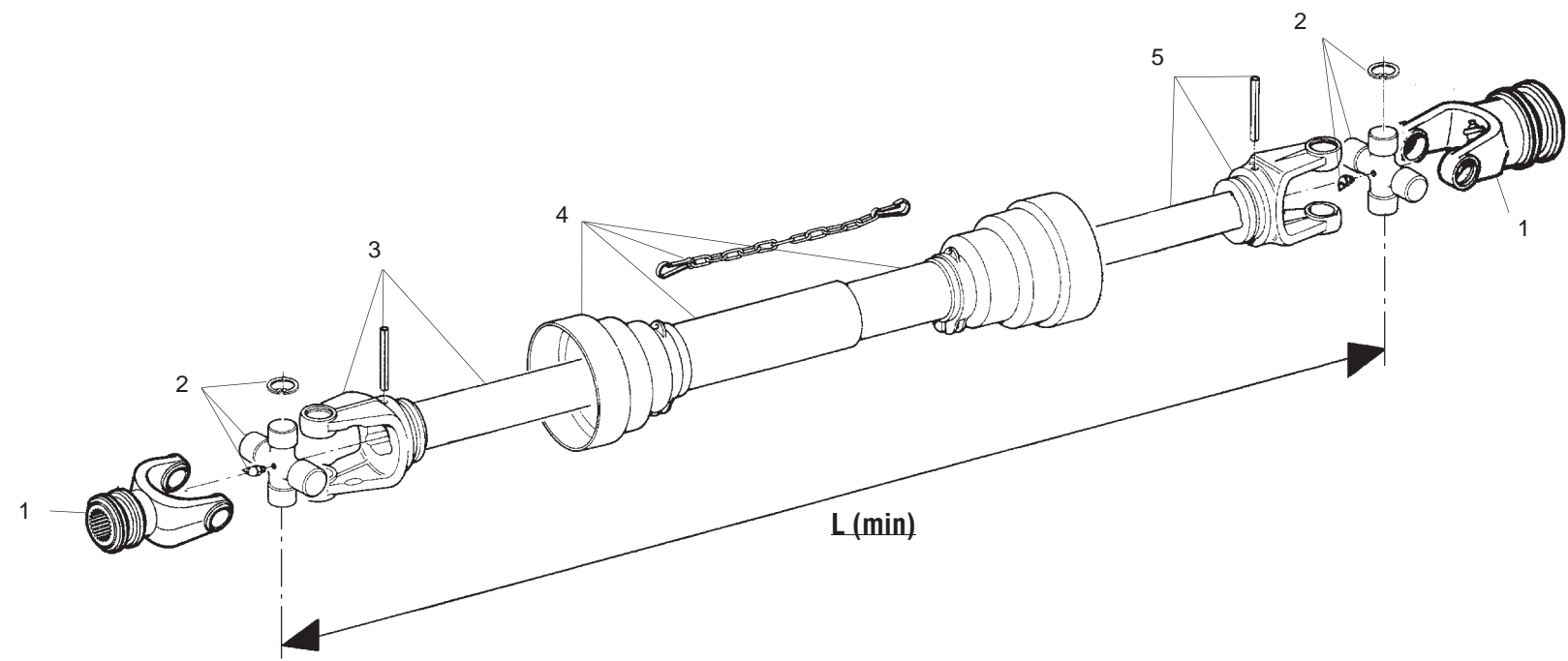
BENENNUNG

DESCRIPCION

TAV. 070

59	M38100907	SUPP. COMPLETO LAT.E CENTR.	EVEN COMPLETE ROLLER SUPPORT	PALIER ROULEAU COMPLET S/CENTR	KOMPLETTE WALZEHALTER	SOPORTE RODILLO COMPLETO
60	F01480112	ROSET.GROWER M10 ZN EXTRA P.	GROWER WASHER D.10	RONDELLE GROWER D.10	SCHEIBE GROWER D.10	ARANDELA GROWER D.10
61	F01010250	VITE M10X1,25X30 U5740 8.8 ZN	BOLT M10X1,25X30 U5740 8.8 ZN	VIS M10X1,25X30 U5740 8.8 ZN	SCHR.M10X1,25X30 U5740 8.8 ZN	TORN.M10X1,25X30 U5740 8.8 ZN
62	M63108608	COMP. ROTORE GABBIA A-H 80	CAGE ROLLER ROTOR A-H 80	ROTOR ROULEAU A CAGE A-H 80	STABWALZEROTOR A-H 80	ROTOR RODILLO A BARRAS A-H 80
63	M63109608	COMP. ROTORE GABBIA A-H 90	CAGE ROLLER ROTOR A-H 90	ROTOR ROULEAU A CAGE A-H 90	STABWALZEROTOR A-H 90	ROTOR RODILLO A BARRAS A-H 90
64	M63110608	COMP. ROTORE GABBIA A-H 100	CAGE ROLLER ROTOR A-H 100	ROTOR ROULEAU A CAGE A-H 100	STABWALZEROTOR A-H 100	ROTOR RODILLO A BARRAS A-H 100
65	M63111608	COMP. ROTORE GABBIA A-H 110	CAGE ROLLER ROTOR A-H 110	ROTOR ROULEAU A CAGE A-H 110	STABWALZEROTOR A-H 110	ROTOR RODILLO A BARRAS A-H 110
66	M63112608	COMP. ROTORE GABBIA A-H 120	CAGE ROLLER ROTOR A-H 120	ROTOR ROULEAU A CAGE A-H 120	STABWALZEROTOR A-H 120	ROTOR RODILLO A BARRAS A-H 120
67	M63113608	COMP. ROTORE GABBIA A-H 130	CAGE ROLLER ROTOR A-H 130	ROTOR ROULEAU A CAGE A-H 130	STABWALZEROTOR A-H 130	ROTOR RODILLO A BARRAS A-H 130
68	M63114608	COMP. ROTORE GABBIA A-H 140	CAGE ROLLER ROTOR A-H 140	ROTOR ROULEAU A CAGE A-H 140	STABWALZEROTOR A-H 140	ROTOR RODILLO A BARRAS A-H 140
69	M63115608	COMP. ROTORE GABBIA A-H 150	CAGE ROLLER ROTOR A-H 150	ROTOR ROULEAU A CAGE A-H 150	STABWALZEROTOR A-H 150	ROTOR RODILLO A BARRAS A-H 150
70	M63116608	COMP. ROTORE GABBIA A-H 160	CAGE ROLLER ROTOR A-H 160	ROTOR ROULEAU A CAGE A-H 160	STABWALZEROTOR A-H 160	ROTOR RODILLO A BARRAS A-H 160
71	M63117608	COMP. ROTORE GABBIA A-H 170	CAGE ROLLER ROTOR A-H 170	ROTOR ROULEAU A CAGE A-H 170	STABWALZEROTOR A-H 170	ROTOR RODILLO A BARRAS A-H 170
72	M63118608	COMP. ROTORE GABBIA A-H 180	CAGE ROLLER ROTOR A-H 180	ROTOR ROULEAU A CAGE A-H 180	STABWALZEROTOR A-H 180	ROTOR RODILLO A BARRAS A-H 180
73	M63108601	COMP. ROTORE SPUNTONI 80	SPIKE ROLLER ROTOR 80	ROTOR ROULEAU A DENTS 80	ZINKENWALZEROTOR 80	ROTOR RODILLO A DIENTES 80
74	M63109601	COMP. ROTORE SPUNTONI 90	SPIKE ROLLER ROTOR 90	ROTOR ROULEAU A DENTS 90	ZINKENWALZEROTOR 90	ROTOR RODILLO A DIENTES 90
75	M63110601	COMP. ROTORE SPUNTONI 100	SPIKE ROLLER ROTOR 100	ROTOR ROULEAU A DENTS 100	ZINKENWALZEROTOR 100	ROTOR RODILLO A DIENTES 100
76	M63111601	COMP. ROTORE SPUNTONI 110	SPIKE ROLLER ROTOR 110	ROTOR ROULEAU A DENTS 110	ZINKENWALZEROTOR 110	ROTOR RODILLO A DIENTES 110
77	M63112601	COMP. ROTORE SPUNTONI 120	SPIKE ROLLER ROTOR 120	ROTOR ROULEAU A DENTS 120	ZINKENWALZEROTOR 120	ROTOR RODILLO A DIENTES 120
78	M63113601	COMP. ROTORE SPUNTONI 130	SPIKE ROLLER ROTOR 130	ROTOR ROULEAU A DENTS 130	ZINKENWALZEROTOR 130	ROTOR RODILLO A DIENTES 130
79	M63114601	COMP. ROTORE SPUNTONI 140	SPIKE ROLLER ROTOR 140	ROTOR ROULEAU A DENTS 140	ZINKENWALZEROTOR 140	ROTOR RODILLO A DIENTES 140
80	M63115601	COMP. ROTORE SPUNTONI 150	SPIKE ROLLER ROTOR 150	ROTOR ROULEAU A DENTS 150	ZINKENWALZEROTOR 150	ROTOR RODILLO A DIENTES 150
81	M63116601	COMP. ROTORE SPUNTONI 160	SPIKE ROLLER ROTOR 160	ROTOR ROULEAU A DENTS 160	ZINKENWALZEROTOR 160	ROTOR RODILLO A DIENTES 160
82	M63117601	COMP. ROTORE SPUNTONI 170	SPIKE ROLLER ROTOR 170	ROTOR ROULEAU A DENTS 170	ZINKENWALZEROTOR 170	ROTOR RODILLO A DIENTES 170
83	M63118601	COMP. ROTORE SPUNTONI 180	SPIKE ROLLER ROTOR 180	ROTOR ROULEAU A DENTS 180	ZINKENWALZEROTOR 180	ROTOR RODILLO A DIENTES 180
84	M63100610	DENTE PER RULLO A SPUNTONI	ROLLER TOOTH	DENT ROULEAU	ZINKENMESSER	DIENTE RODILLO
85	M48000307	ANELLO RINF.40X50X1,5 C70 TEMP	SEEGER STIFFENER RING	ANNEAU DE RENFORCEMENT SEEGER	SEEGER RING	ANILLO REFUERZO SEEGER
86	F02050168	ANELLO E. DE 40X1,75 U7435 C70	SEEGER RING D.40	BAGUE SEEGER D.40	SEEGERRING D.40	ANILLO SEEGER D.40
87	M38100992	>SUPPORTO RULLO OSCIL.DI TESTA	BEARING HOLDER FLANGE	BRIDE PORTE ROULEMENTS	LAGERHALTERUNGSFLANSCH	BRIDA PORTA COJINETES
88	F04010184	CUSC.D40 D80 BOMB.18 6208 2RS	BEARING 6208 SEE	ROULEMENT 6208 SEE	LAGER 6208 SEE	COJINETE 6208 SEE
89	M38100990	GUARNIZIONE ELASTICA	GASKET	JOINT	DICHTUNG	JUNTA
90	M38100906	MOZZO RULLO OSCILLANTE FINITO	PIN ROTOR ROLLER	GOUJON ROTOR ROULEAU	ROTORBOLZEN WALZE	PERNO ROTOR RODILLO

				
A	F08011657 L= 660	-	-	H - K - KS OPTIONAL: A - AL - AZ E - EL - AS
B	F08011652 L= 660	-	-	OPTIONAL A - E

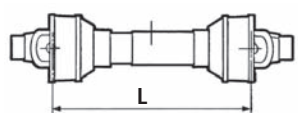
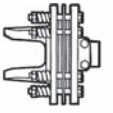



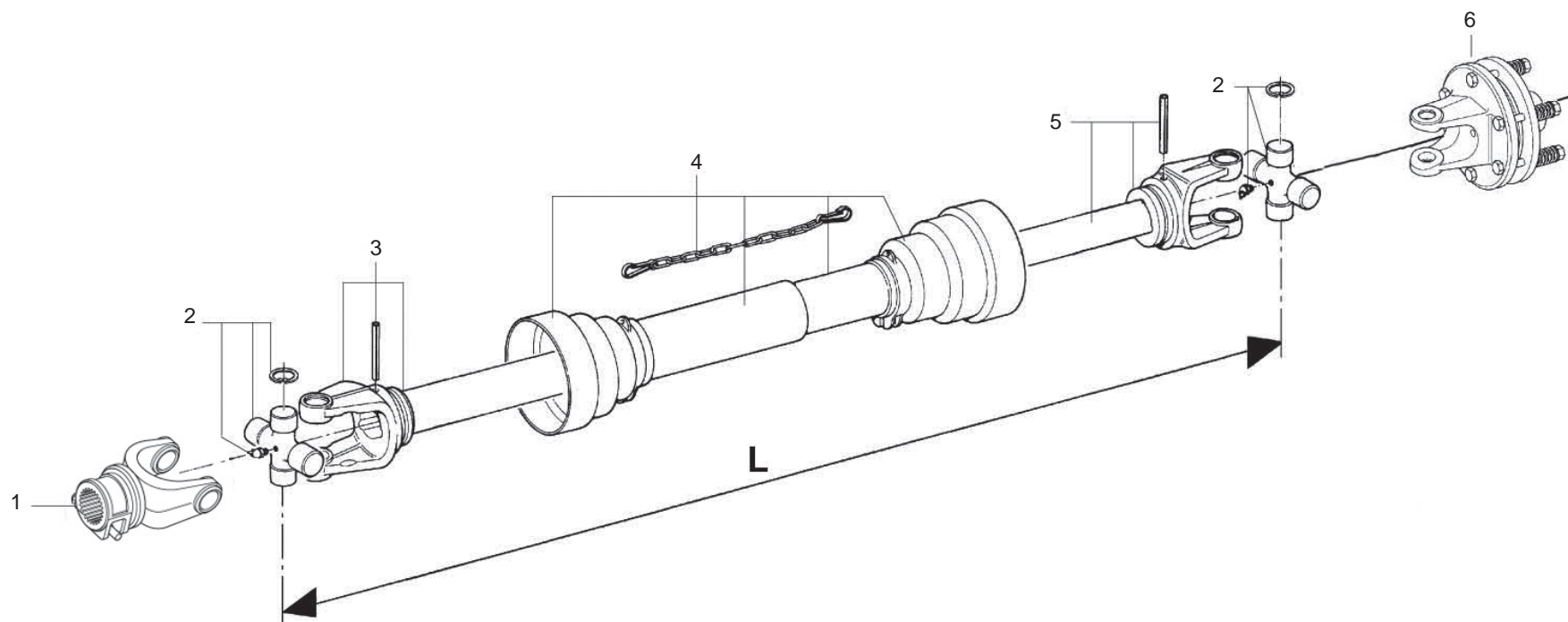
POS	CODICE	DESCRIZIONE	DESCRIPTION	DESCRIPTION	BENENNUNG	DESCRIPCION
A	F08011657	ALBERO CARDANICO COMPLETO	UNIVERSAL P T O SHAFT	ARBRE A CARDAN	GELENKWELLE	ARBOL CARDANICO
B	F08011652	ALBERO CARDANICO COMPLETO	UNIVERSAL P T O SHAFT	ARBRE A CARDAN	GELENKWELLE	ARBOL CARDANICO
1	F08010471	FORCELLA ATTACCO	LINKAGE FORK	FOURCHE ATTELAGE	GABELSTUECK	HORQUILLA ATAQUE
2	F08010685	CROCIERA COMPLETA	SPIDER ASSY	CROISIERE COMPL.	GELENKKREUZ KOMPL.	CRUCETA COMPLETA
3	F08010527	FORCELLA CON TUBO ESTERNO	FORK WITH EXTERNAL PIPE	FOURCHE AVEC TUBE EXTERIEUR	GABELST. + AUSSENROHR	HORQUILLA + TUBO EXTERNO
4	F08010849	PROTEZIONE COMPLETA	PROTECTION ASSY	PROTECTION COMPL.	KOMPL. SCHUTZ	PROTECCION COMPL.
5	F08010575	FORCELLA CON ALBERO INT.	FORK WITH INTERNAL SHAFT	FOURCHE AVEC ARBRE INT.	GABELST. + WELL INN.	HORQUILLA + ARBOL INT.

POS	CODICE	DESCRIZIONE	DESCRIPTION	DESCRIPTION	BENENNUNG	DESCRIPCION
A	F08011789	CAR.BON.TRIAN.3/8 Z6 LT L1033	UNIVERSAL P T O SHAFT	ARBRE A CARDAN	GELENKWELLE	ARBOL CARDANICO
1	F08011924	FORCELLA 1 3/8" Z6 BIN.	LINKAGE FORK 1 3/8 Z6	FOURCHE ATTELAGE 1 3/8 Z6	GABELSTUECK 1 3/8 Z6	HORQUILLA ATAQUE 1 3/8 Z6
2	F08011925	CROCIERA COMPLETA BIN.	08206 SPIDER ASSY	CROISIERE COMPL.	GELENKKREUZ KOMPL.	CRUCETA COMPLETA
3	F08011922	FORCELLA+TUBO EST.BIN.	FORK WITH EXTERNAL PIPE	FOURCHE AVEC TUBE EXT.	GABELST. + AUSSENROHR	HORQUILLA + TUBO EXT.
4	F08012004	PROTEZ. COMPLETA	PROTECTION ASSY	PROTECTION COMPL.	KOMPL. SCHUTZ	PROTECCION COMPL.
5	F08011923	FORCELLA + TUBO INT.B.	FORK WITH INTERNAL PIPE	FOURCHE AVEC TUBE INT.	GABELST. + INNENROHR	HORQUILLA + TUBO INTERNO
6	F08011926	FRIZ.COMPL.1.3/8 Z6 B.	CLUTCH ASSY	EMBRAYAGE COMPL.	KOMPL. KUPPLUNG	FRICCION COMPL.
7	F08011911	BUL.M10X0,75 BIN.	BOLT M10X0,75	VIS M10X0,75	SCHRAUBE M10X0,75	TORNILLO M10X0,75
8	F08011929	FORCELLA FLANG.BIN.	FLANGE FORK	FOURCHE AVEC	FLASQUE GABELSTUECK M.	FLANSCH HORQUILLA BRIDA
9	F08001840	BUSSOLA ANTIS.BIN.	BUSHING	BOUSSOLE	BUECHSE	BRUJULA
10	F08001400	DISCO D'ATTR.D.140 BI.	LINING DISQUE	DE FROTTEMENT	KUPPLUNGSCHIEBE	DISCO FROTAMIENTO
11	F08011913	MOZZO CON FLAN. BIN.	HUB	MOYEU	NABE	CUBO
12	F08011910	PULSANTE CPL 1 3/8 14X75	COMPLETE BUTTON	BOUTON COMPLET	KOMPL. KNOPF	PULSADOR COMPL.
13	F08011906	DISCO INTERNO	INT. PRESSURE DISC	DISQUE DE PRESSION INT.	DRUCKSCHEIBE INN.	DISCO DE PRESION INT.
14	F08011907	MOLLA A TAZZA	PRESSURE SPRING	RESSORT DE PRESSION	DRUCKFEDER	MUELLE DE PRESSION
15	F08011908	DISCO DI PRESS.ESTB.	EXT. PRESSURE DISC	DISQUE DE PRESSION EXT.	DRUCKSCHEIBE AUSS.	DISCO DE PRESION EXT.

TAV. 13/88

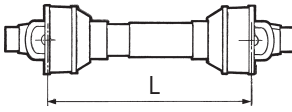
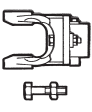
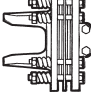
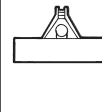
BONDIOLI

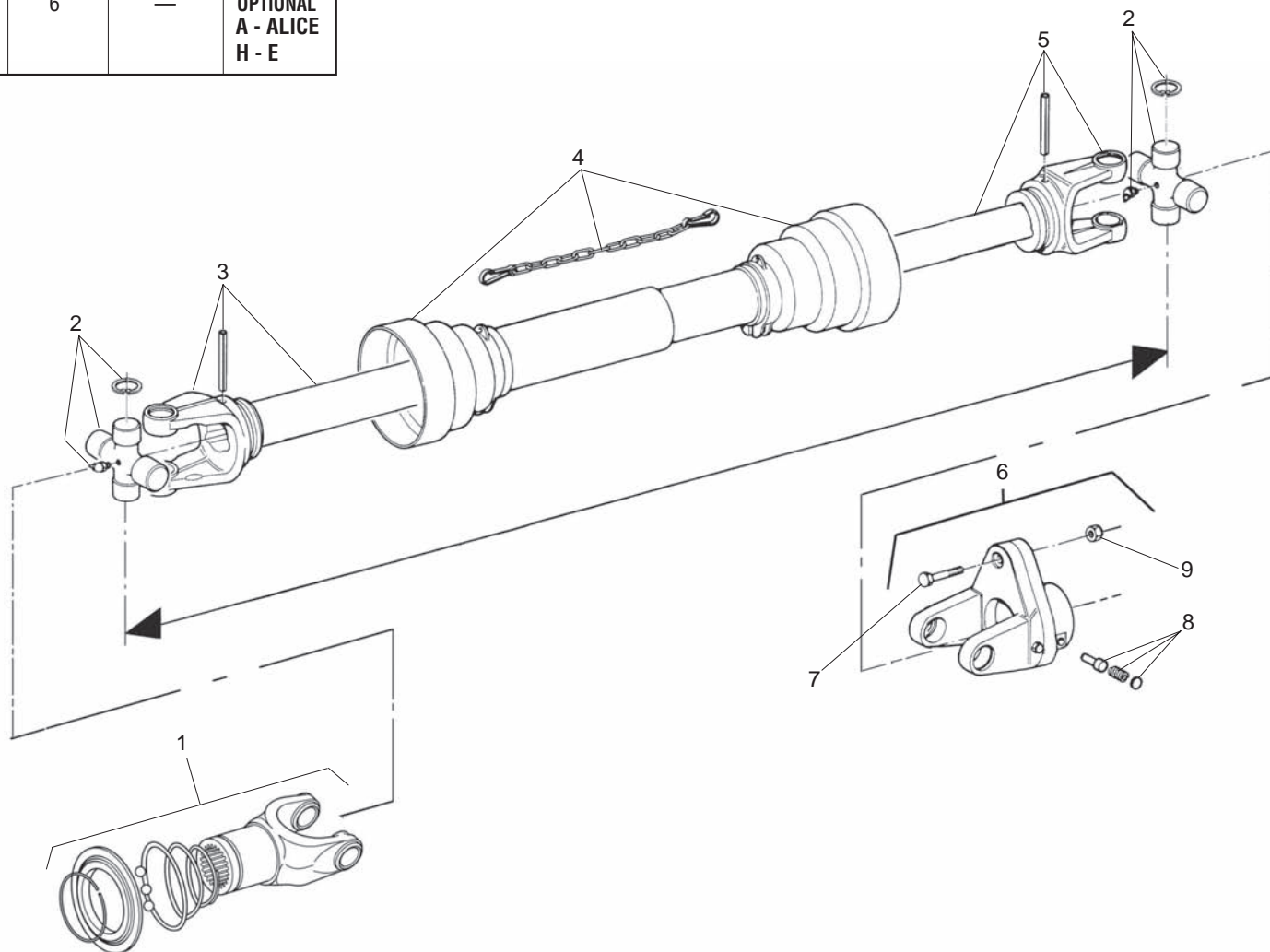
			
A F08011796	L= 848	6	H - A - U



POS	CODICE	DESCRIZIONE	DESCRIPTION	DESCRIPTION	BENENNUNG	DESCRIPCION
A	F08011796	CAR.BON.DISCHI 3/8 Z6 LT936 A	UNIVERSAL P T O SHAFT	ARBRE A CARDAN	GELENKWELLE	ARBOL CARDANICO
1	F08010167	FORCELLA COMPLETA	LINKAGE FORK 1 3/8 Z6	FOURCHE ATTELAGE 1 3/8 Z6	GABELSTUECK 1 3/8 Z6	HORQUILLA ATAQUE 1 3/8 Z6
2	F08010678	CROCIERA COMPLETA	08206 SPIDER ASSY	CROISIERE COMPL.	GELENKKREUZ KOMPL.	CRUCETA COMPLETA
3	F08000400	BON.FORC.T.CARD.EST	FORK WITH EXTERNAL PIPE	FOURCHE AVEC TUBE EXT.	GABELST. + AUSSENROHR	HORQUILLA + TUBO EXT.
4	F08010834	PROT. COMPLETA	PROTECTION ASSY	PROTECTION COMPL.	KOMPL. SCHUTZ	PROTECCION COMPL.
5	F08000600	BON.FORC.T.CARD.INT.	FORK WITH INTERNAL PIPE	FOURCHE AVEC TUBE INTERIEUR	GABELST. + INNENROHR	HORQUILLA + TUBO INTERNO
6	F08010984	FRZ. 1200NM 1 3/8Z6	CLUTCH ASSY	EMBAYAGE COMPL.	KOMPL. KUPPLUNG	FRICCION COMPL.

BONDIOLI

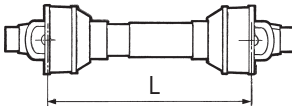
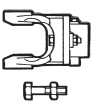
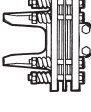
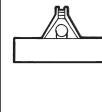
			
F08011788	L= 690	6	—
OPTIONAL A - ALICE H - E			

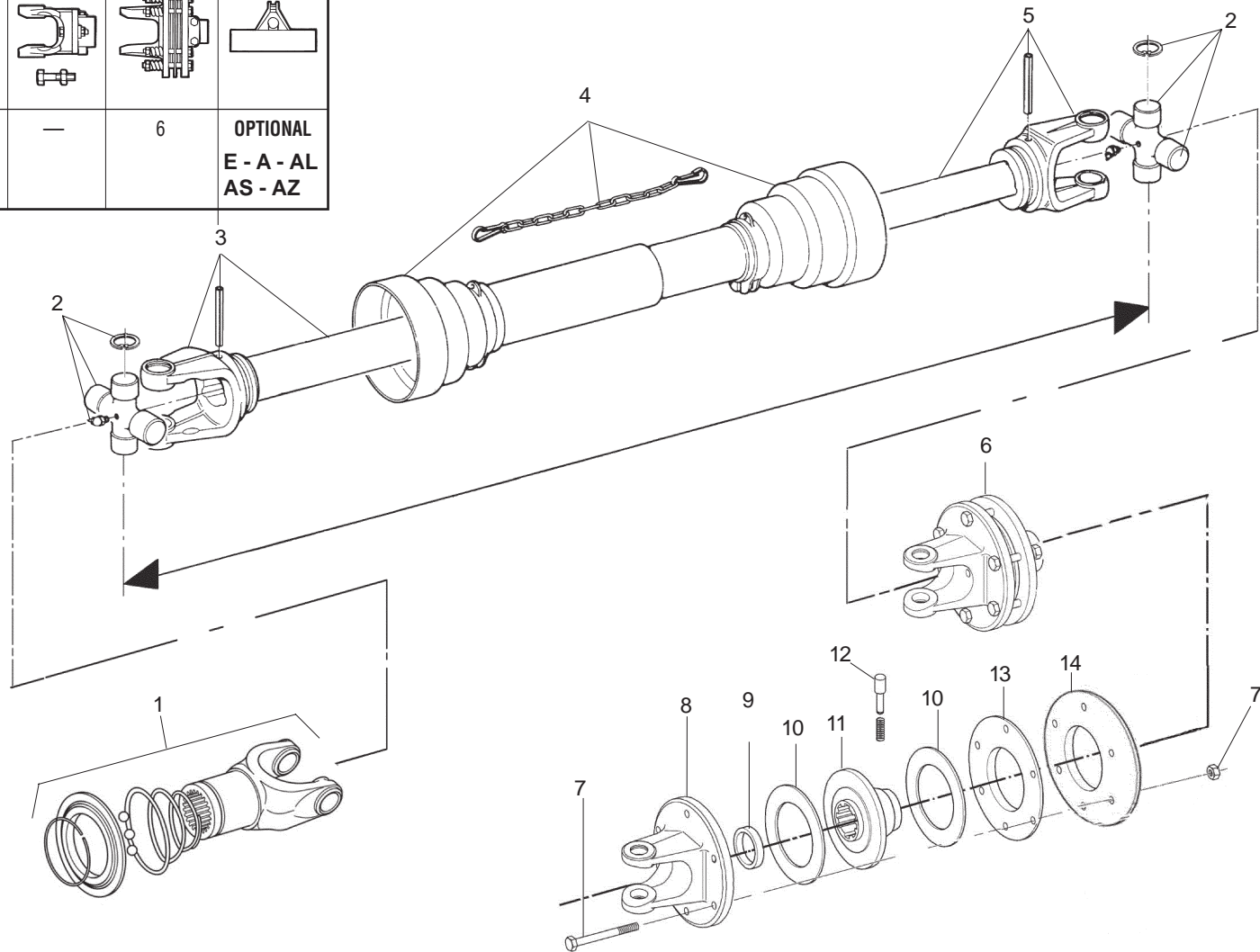


POS	CODICE	DESCRIZIONE	DESCRIPTION	DESCRIPTION	BENENNUNG	DESCRIPCION
1	F08011924	FORCELLA PULSANTE COMPLETO	LINKAGE FORK	FOURCHE ATTELAGE	GABELSTUECK	HORQUILLA ATAQUE
2	F08011595	CROCIERA COMPLETA	SPIDER ASSY	CROISIERE COMPL.	GELENKKREUZ KOMPL.	CRUCETA COMPLETA
3	F08011922	FORCELLA COLLEGAMENTO EST.	FORK WITH EXTERNAL PIPE	FOURCHE AVEC TUBE EXTERIEUR	GABELST. + AUSSENROHR	HORQUILLA + TUBO EXTERNO
4	F08000801	07.223.088.10 PROTEZ.COMPLETA	PROTECTION ASSY	PROTECTION COMPL.	KOMPL. SCHUTZ	PROTECCION COMPL.
5	F08011923	FORCELLA COLLEG. INT.	FORK WITH INTERNAL PIPE	FOURCHE AVEC TUBE INT.	GABELST. + INNENROHR	HORQUILLA + TUBO INT.
6	F08011935	LIMITATORE A BULLONE	SHEAR PIN	LIMITEUR	SCHERSTIFT	LIMITADOR
7	F01020451	VITE M 8X1,25X45 U5739 8.8 ZN	BOLT M 8X1,25X45 U5739 8.8 ZG	VIS M 8X1,25X45 U5739 8.8 ZG	SCHRAUBE M 8X1,25X45 U5739 8.8	TORNILLO M 8X1,25X45 U5739 8.8
8	F08011934	PULSANTE+MOLLA	COMPLETE BUTTON	BOUTON COMPLET	KOMPL. KNOPF	PULSADOR COMPL.
9	F01220022	DADO M 8X1,25 D980	SELF LOCKING NUT M8X1,25	ECROU AUTOBL. M8X1,25	SELBSTSP.MUTT. M8X1,25	DADO AUTOBL. M8X1,25



BONDIOLI

			
F08011795	L= 660	—	6
OPTIONAL E - A - AL AS - AZ			



POS	CODICE	DESCRIZIONE	DESCRIPTION	DESCRIPTION	BENENNUNG	DESCRIPCION
1	F08011924	FORCELLA COMPLETA	LINKAGE FORK	FOURCHE ATTELAGE	GABELSTUECK	HORQUILLA ATAQUE
2	F08011925	CROCIERA COMPLETA	SPIDER ASSY	CROISIERE COMPL.	GELENKKREUZ KOMPL.	CRUCETA COMPLETA
3	F08011940	FORCELLA COLLEGAMENTO EST.	FORK WITH EXTERNAL PIPE	FOURCHE AVEC TUBE EXTERIEUR	GABELST. + AUSSENROHR	HORQUILLA + TUBO EXTERNO
4	F08011921	07.223.088.10 PROTEZ.COMPLETA	PROTECTION ASSY	PROTECTION COMPL.	KOMPL. SCHUTZ	PROTECCION COMPL.
5	F08011941	FORCELLA COLLEG. INT.	FORK WITH INTERNAL PIPE	FOURCHE AVEC TUBE INT.	GABELST. + AUSSENROHR	HORQUILLA + TUBO INT.
6	F08011939	FRIZIONE COMPLETA	CLUTCH ASSY	EMBRAYAGE COMPL.	KOMPL. KUPPLUNG	FRICCION COMPL.
7	F08011920	VITE M 8X1,25X50 U5737 8.8 ZN	BOLT M 8X1,25X50 U5737 8.8 ZG	VIS M 8X1,25X50 U5737 8.8 ZG	SCHRAUBE M 8X1,25X50 U5737 8.8	TORNILLO M 8X1,25X50 U5737 8.8
8	F08011938	FORCELLA FLANGIATA	FLANGE FORK	FOURCHE AVEC FLASQUE	GABELSTUECK M. FLANSCH	HORQUILLA BRIDA
9	F08001840	BUSSOLA	BUSH	BOUSSOLE	BUECHSE	BRUJULA
10	F08011915	DISCO D'ATTRITO	LINING	DISQUE DE FROTTEMENT	KUPPLUNGSSCHEIBE	DISCO FROTAMIENTO
11	F08011942	MOZZO	SPLINED HUB	MOYEU CANNELE	KEILNABE	CUBO ACANALADO
12	F08001860	PULSANTE COMPLETO	PUSHBUTTON ASSY	POUSSOIR COMPL.	DRUCKKNOPF KOMPL.	PULSADOR COMPL.
13	F08011936	DISCO INTERNO	INT. DISC	DISC INTER.	INN. SCHEIBE	DISCO INTERIOR
14	F08011937	MOLLA DI PRESSIONE	PRESSURE SPRING	RESSORT DE PRESSION	DRUCKFEDER	MUELLE DE PRESION

RICHIEDETE SEMPRE RICAMBI ORIGINALI MARCHIATI  GARANZIA DI ASSOLUTA QUALITÀ!
USE  GENUINE PARTS ONLY, A GUARANTEE OF ABSOLUTE QUALITY!
EXIGEZ LES PIECES DE RECHANGE ESTAMPILLES  GARANTIE DE QUALITE ABSOLUE
BENUTZEN SIE NUR ORIGINALTEILE MIT DEM EINGEPRÄGTEN  DIE GARANTIE FÜR ABSOLUTE QUALITÄT
UTILICEN REPUESTOS ORIGINALES  GARANTIA Y FIABILIDAD

La garanzia MASCHIO sulle macchine ha valore solo se utilizzate Ricambi Originali
MASCHIO Warranty will only cover machines that are fitted with genuine Maschio parts
Les garanties ne s'appliquent que pour les machines équipées de pièces d'origine MASCHIO
Nur der Einsatz von MASCHIO Originalteilen sichert Ihnen die Garantie für Ihre MASCHIO-Geräte
MASCHIO garantiza sus maquinas solo en caso de que esten equipadas con recambios originales



Agip ROTRA MP

CLASSIFICAZIONE SAE 85W/140

L'olio **AGIP ROTRA MP** soddisfa le seguenti specifiche:
AGIP ROTRA MP oil complies with the following specifications:
L'huile **AGIP ROTRA MP** satisfait les spécifications suivantes:
Das Öl ROTRA MP entspricht den folgenden Normen:
L'aceite **AGIP ROTRA MP** satisfa los siguientes normas:

- API GL5
- MIL-L-2105C



Agip GR MU EP2

Il grasso **AGIP GR MU EP 2** soddisfa le seguenti specifiche:
AGIP GR MU EP 2 grease complies with the following specifications:
La graisse **AGIP GR MU EP 2** satisfait les spécifications suivantes:
Das Fett AGIP GR MU EP 2 entspricht den folgenden Normen:
La grasa **AGIP GR MU EP 2** satisfa los siguientes normas:

- DIN 51825 (KP2K)

MASCHIO

GASPARDO

MASCHIO GASPARDO S.p.A.

Via Marcello, 73
I-35011 Campodarsego (Padova) Italy
Tel. +39 049 9289810
Fax +39 049 9289900
<http://www.maschionet.com>
E-mail: info@maschio.com

MASCHIO FRANCE S.a.r.l.
1, rue de Merignan ZA
F-45240 - La Ferte St. Aubin - France
Tel. +33 (0) 2.38.64.12.12
Fax +33 (0) 2.38.64.66.79

MASCHIO MIDDLE EAST
P.O. Box 922388
Amman, 11192 Jordan
Tel. 962 6 5511384
Fax 962 6 5538398
E-mail: tahaeng@nets.com.jo

MASCHIO DEUTSCHLAND GmbH
Äußere Nürnberger Straße 5
D-91177 Thalmässing
Deutschland
Tel. +49 (0) 9173 79000
Fax +49 (0) 9173 790079

MASCHIO-GASPARDO USA, Inc.
120 North Scott Park Road
Eldridge, IA 52748 - USA
Ph. +1 563 - 285 9937
Fax +1 563 - 285 9938

MASCHIO-GASPARDO IBERICA S.L.
Calle Cabernet, n° 10
Poligono Industrial Clot de Moja
Olerdola - 08734 - Barcelona
Tel. +34 93 81.99.058
Fax +34 93 81.99.059

MASCHIO-GASPARDO ROMANIA S.R.L.
Strada Înfrățirii, 155
315100 Chişineu-Criş (Arad) - România
Tel. +40 257 307030
Fax +40 257 307040
www.maschionet.com
e-mail: info@maschio.ro